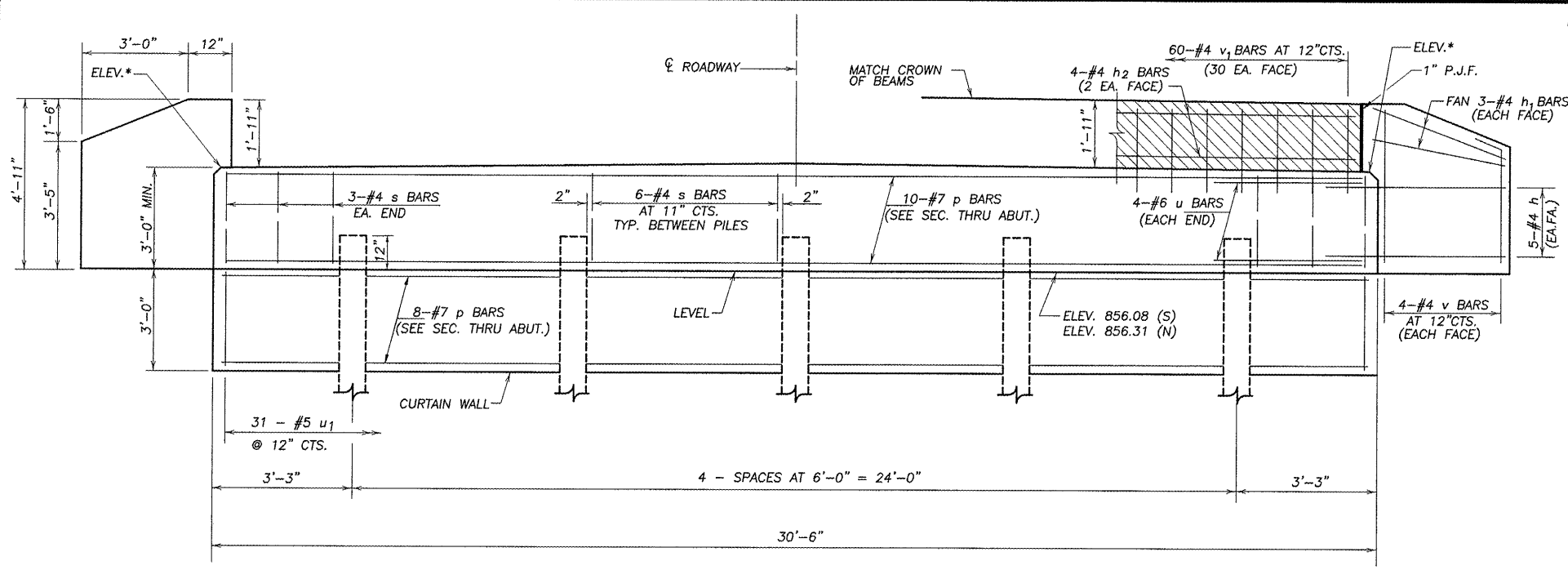


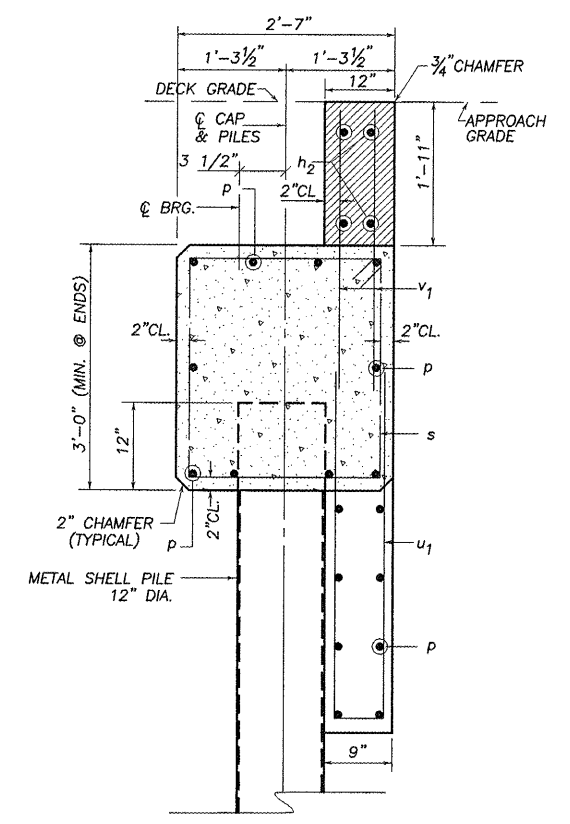
FAS ROUTE NO.	SEC	COUNTY	TOTAL SHEETS	SHEET NO.
178	*	LEE	14	11

ILLINOIS PROJECT BRS-0178(105)
* 11-00317-00-BR
CONTRACT NO. 85560

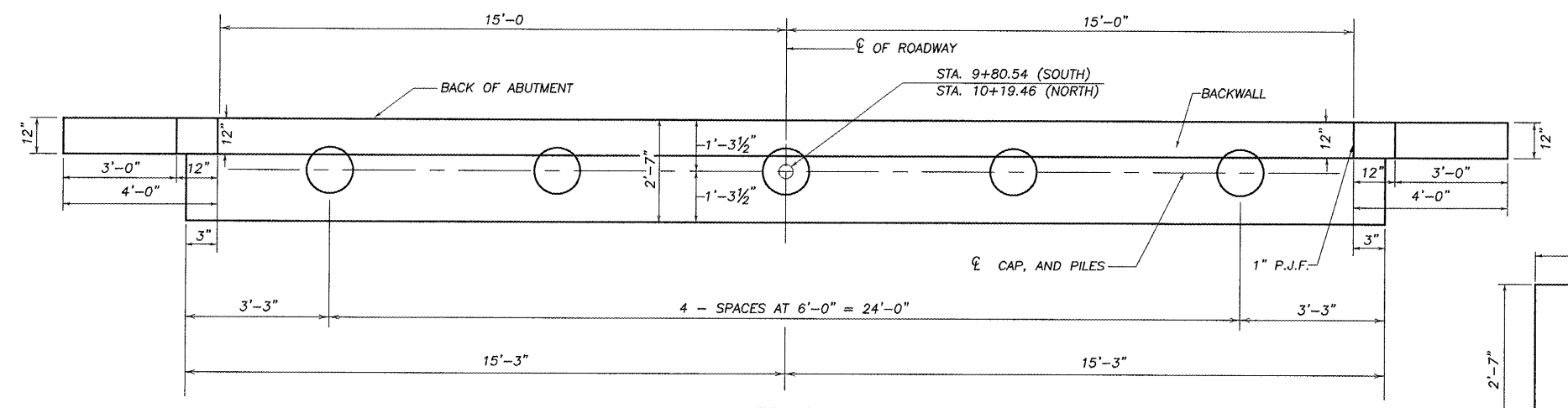
NOTE: WINGWALLS ABOVE TOP OF CAP SHALL NOT BE POURED UNTIL THE DECK BEAMS ARE IN PLACE AND FASTENED.
HATCHED AREA SHALL BE POURED AFTER DECK BEAMS ARE SET AND ANCHORED.
WIDTH SHALL BE THE LIMITS OF THE CAP.



ELEVATION
* FOR CAP ELEVATIONS SEE TABLE BELOW



SEC. THRU ABUT.
(AT RIGHT ANGLES)



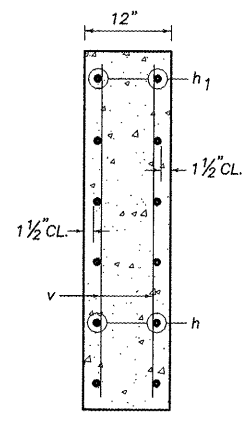
PLAN

PILE DATA INFORMATION
TYPE AND SIZE: METAL SHELL - 12 IN. DIA. X 0.25 IN. WALLS
NOMINAL REQUIRED BEARING: 252 KIPS
ALLOWABLE RESISTANCE AVAILABLE: 84 KIPS
NO. REQUIRED : 8+2 TEST PILES
EST. LENGTH: 36' - S. ABUT. ; 41' - N. ABUT.
MIN. PENETRATION 10' BELOW TOP OF RAIL
THE METAL SHELL PILES SHALL BE ACCORDING TO ASTM A 252 GRADE 3.

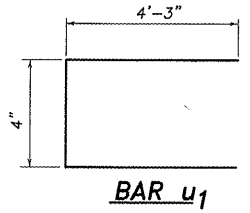
BILL OF MATERIAL					2 ABUTMENTS		
BAR	NO.	SIZE	LENGTH	SHAPE			
h	40	#4	5'-6"	—			
h ₁	24	#4	3'-8"	—			
h ₂	8	#4	29'-6"	—			
p	30	#7	30'-0"	—			
s	60	#4	10'-3"	□			
u	16	#6	10'-2"	—			
u ₁	62	#5	8'-10"	—			
v	32	#4	4'-6"	—			
v ₁	120	#4	3'-8"	—			
CONCRETE STRUCTURES					CU. YD.	30.0	
REINFORCEMENT BARS (EPOXY CTD.)					POUND	4190	
FURNISHING METAL SHELL PILES 12" x 0.25"					FOOT	308	
DRIVING PILES					FOOT	308	
TEST PILE METAL SHELLS					EACH	2	

ABUTMENT	A	B	C	D	E	F
S	859.08	859.32	859.08	859.09	859.33	859.09
ABUTMENT	A	B	C	D	E	F
N	859.32	859.56	859.32	859.31	859.55	859.31

ELEVATION TOP OF ABUTMENTS



SECTION THRU WINGWALL



BAR u₁

0
SCALE: 1" = 10' NTS

REVISIONS	DATE	DESCRIPTION

DESIGNED BY: RLR	DRAWN BY: RLR/DJV	CHECKED BY: abh/ing	DATE: 03/29/2012
------------------	-------------------	---------------------	------------------

wendler
wendler engineering services, inc.
GROUND-BREAKING SOLUTIONS
engineers - surveyors - scientists
www.wendlers.com ph: 815.288.2281
Illinois Professional Design Firm No. 184-000848

SUBSTRUCTURE OF PAW PAW ROAD BRIDGE FOR LEE COUNTY HIGHWAY DEPARTMENT

SHEET TITLE	ABUTMENTS
-------------	-----------

JOB NUMBER	2110221
------------	---------

DATE	03/29/2012
------	------------

SHEET NO.	11 of 14
-----------	----------

SN 052-3513
SUBSTRUCTURE-ABUTMENTS
SECTION 11-00317-00-BR
LEE COUNTY