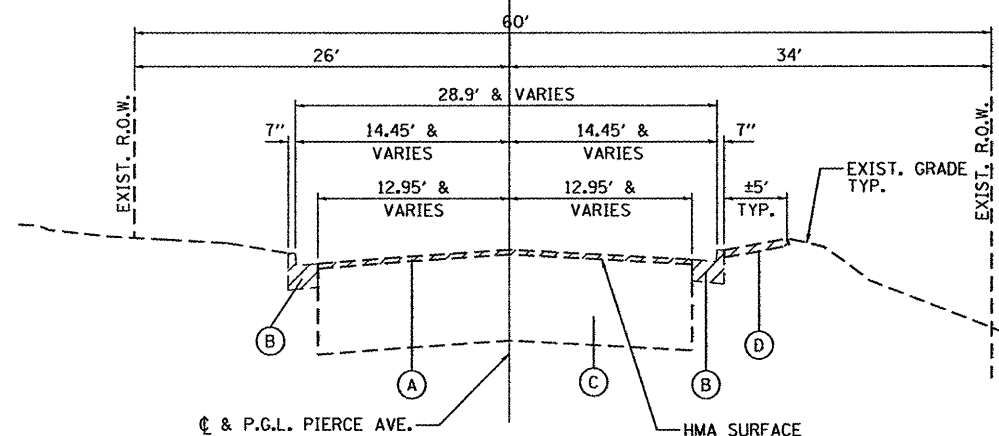


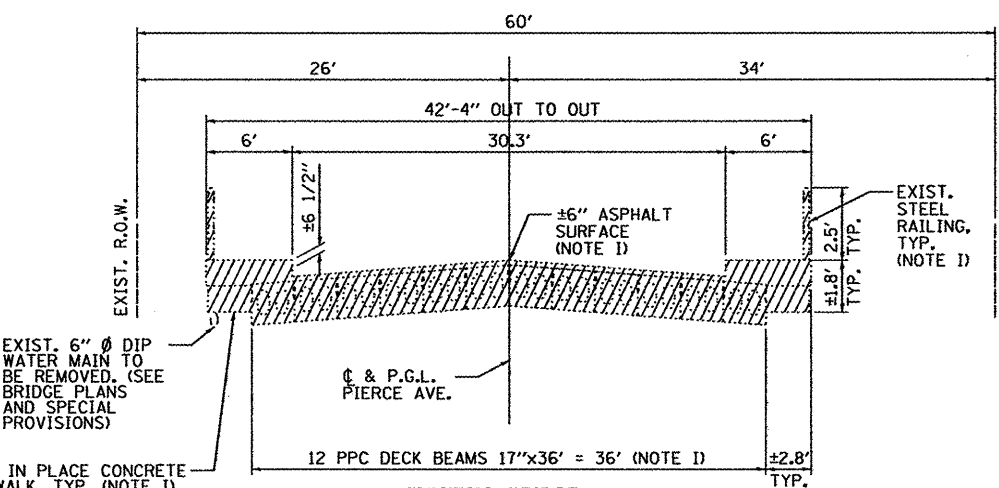
**EXISTING APPROACH ROADWAY
TYPICAL SECTION**

STA. 201+57.75 TO STA. 201+89.67
STA. 202+23.51 TO STA. 203+00

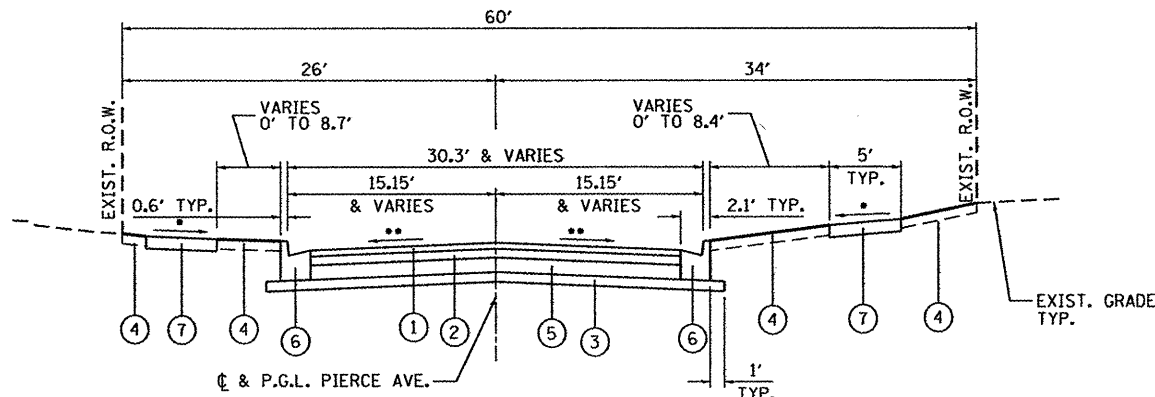


**EXISTING APPROACH ROADWAY
TYPICAL SECTION**

STA. 201+38.42 TO STA. 201+57.75



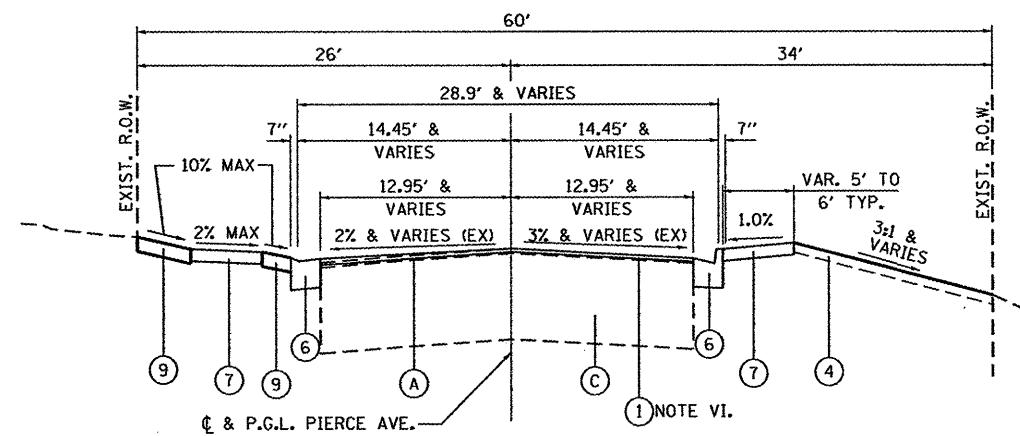
**EXISTING BRIDGE
TYPICAL SECTION**



**PROPOSED APPROACH ROADWAY
TYPICAL SECTION**

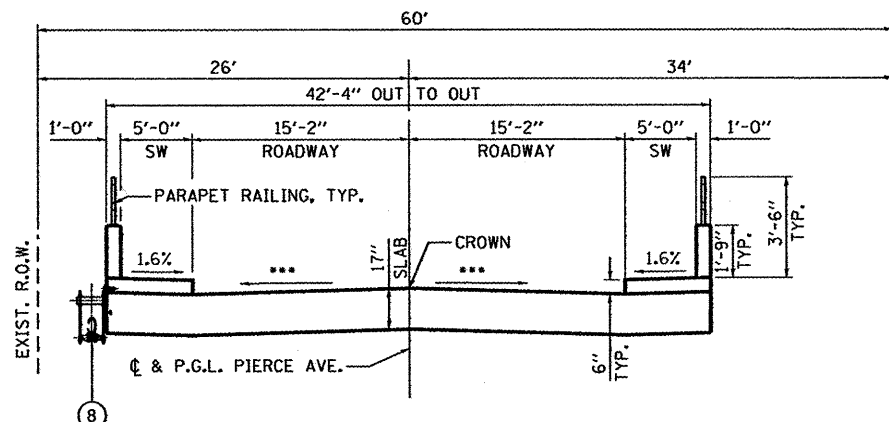
STA. 201+57.75 TO STA. 201+90.38
STA. 202+22.80 TO STA. 203+00

- 1.5% & VARIES (NOTE IV) 2% MAX.
- 1.5% & VARIES (NOTE ID)



**PROPOSED APPROACH ROADWAY
TYPICAL SECTION**

STA. 201+38.42 TO STA. 201+57.75



**PROPOSED BRIDGE
TYPICAL SECTION**

STA. 201+90.38 TO STA. 202+22.80
••• 3/16"/' & VARIES (NOTE ID)

NOTES

- I. COST FOR REMOVAL INCLUDED IN THE ITEM "REMOVAL OF EXISTING SUPERSTRUCTURES"
- II. SEE PAVEMENT ELEVATION DETAIL ON SHEET 3 AND THE CROSS SECTIONS.
- III. SEE STRIPING, EROSION CONTROL & RESTORATION PLAN FOR LIMITS
- IV. SEE CROSS SECTIONS
- V. COORDINATE PAVEMENT REMOVAL DEPTH WITH PROPOSED PAVEMENT SECTION
- VI. THICKNESS VARIES 1 1/2" TO 3".

EXISTING LEGEND

- (A) EXIST. HMA SURFACE (THICKNESS ±6")
- (B) EXIST. COMB. CC&G TB6.18
- (C) EXIST. AGGREGATE BASE (THICKNESS ± 36")
- (D) EXIST. PCC SIDEWALK

PROPOSED LEGEND

- (1) HOT-MIX ASPHALT SURFACE COURSE MIX "C" N50 @ 1 1/2"
- (2) HOT-MIX ASPHALT BINDER COURSE IL - 12.5, N50 @ 2 1/2"
- (3) SUBBASE GRANULAR MATERIAL, TYPE B 4"
- (4) TOPSOIL FURNISH & PLACE 4" WITH SEEDING CLASS 2A (NOTE III)
- (5) AGGREGATE BASE COURSE, TYPE A 8"
- (6) COMBINATION CONCRETE CURB AND GUTTER, TYPE B-6.18
- (7) PORTLAND CEMENT CONCRETE SIDEWALK, 5"
- (8) DIP WATER MAIN, 6" WITH NEW HANGERS (SEE BRIDGE PLANS AND SPECIAL PROVISIONS)

INDICATES ITEMS TO BE REMOVED

HOT-MIX ASPHALT MIXTURE REQUIREMENTS		
MIXTURE USE	SURFACE	BINDER
PG:	PG 64-22	PG 64-22
DESIGN AIR VOIDS	3.0 @ N50	3.0 @ N50
MIXTURE COMPOSITION (GRADIATION MIXTURE)	IL 9.5 OR 12.5	IL 9.5 OR 12.5
FRICITION AGGREGATE	C	N/A
20 YEAR ESAL	0.0	0.0
MIX UNIT WEIGHT	112 LBS/SY/IN	

COMPANY NAME: HRGreen
 PROJECT CONTACT: HRGreen
 CLIENT: City of Rockford
 DATE PLOTTED: 3/23/2012 10:05 AM
 FILE NAME: 0610077-1.dgn
 PLOT DRIVER: pdlcht
 PEN TABLE: standard-trans.tbl



USER NAME = whoad	DESIGNED - KMA	REVISED -
FILE NAME = 06110077-1.dgn	DRAWN - WJH	REVISED -
PLOT SCALE =	CHECKED - RGD	REVISED -
PLOT DATE = 3/23/2012	DATE - 3/26/12	REVISED -

CITY OF ROCKFORD

**PIERCE AVENUE OVER NORTHWEST DRAINAGEWAY
TYPICAL SECTIONS**

SCALE: SHEET NO. OF SHEETS STA. TO STA.

F.A.U. RTE. 5033	SECTION 11-00581-00-BR	COUNTY WINNEBAGO	TOTAL SHEETS 17	SHEET NO. 4
CONTRACT NO.				
FED. ROAD DIST. NO. 2 ILLINOIS FED. AID PROJECT				