

GENERAL NOTES:

Reinforcement bars shall conform to the requirements of ASTM A 706 Gr 60. See Special Provisions.

Reinforcement bars designated (E) shall be epoxy coated.

Plan dimensions and details relative to existing structure are subject to nominal construction variations. The Contractor shall field verify existing dimensions and details affecting new construction and make necessary approved adjustments prior to construction or ordering of materials. Such variations shall not be cause for additional compensation for a change in scope of the work, however, the Contractor will be paid for the quantity actually furnished at the unit price bid for the work.

The Contractor shall make allowance for the deflection of forms, shrinkage and settlement of falsework, in addition to allowance for dead load deflection.

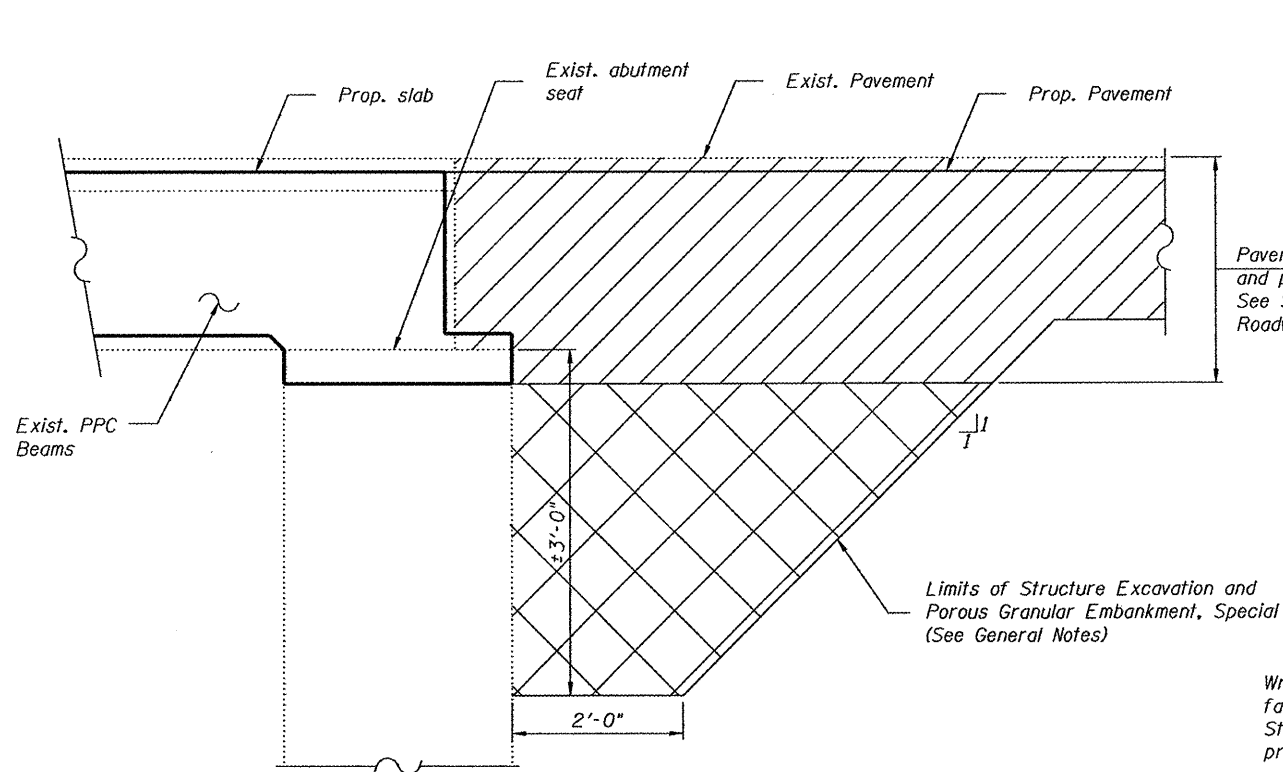
The concrete for bridge decks finished according to Article 503.16(a) of the Standard Specifications shall be placed and compacted parallel to the skew in uniform increments along centerline of bridge. The machine used for finishing shall be set parallel to the skew for striking off and screeding the concrete.

Excavation behind existing abutment walls shall be performed as shown to balance front and back soil pressure before removing the existing superstructure.

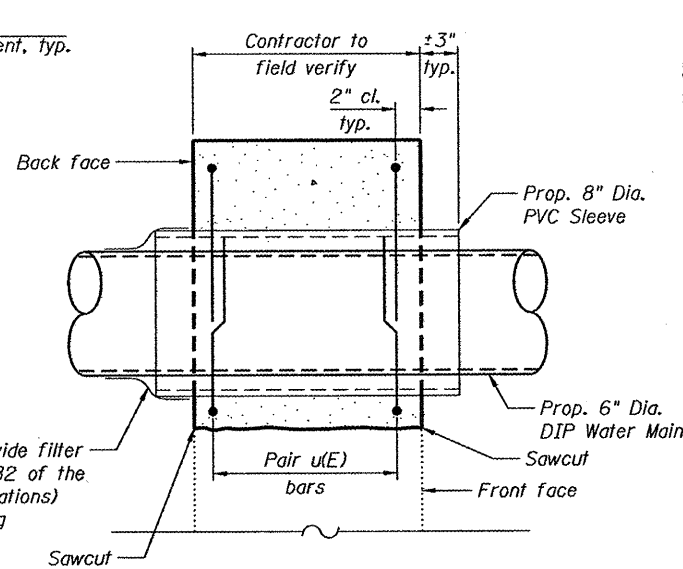
Plans for the existing structure are not available.

TOTAL BILL OF MATERIAL

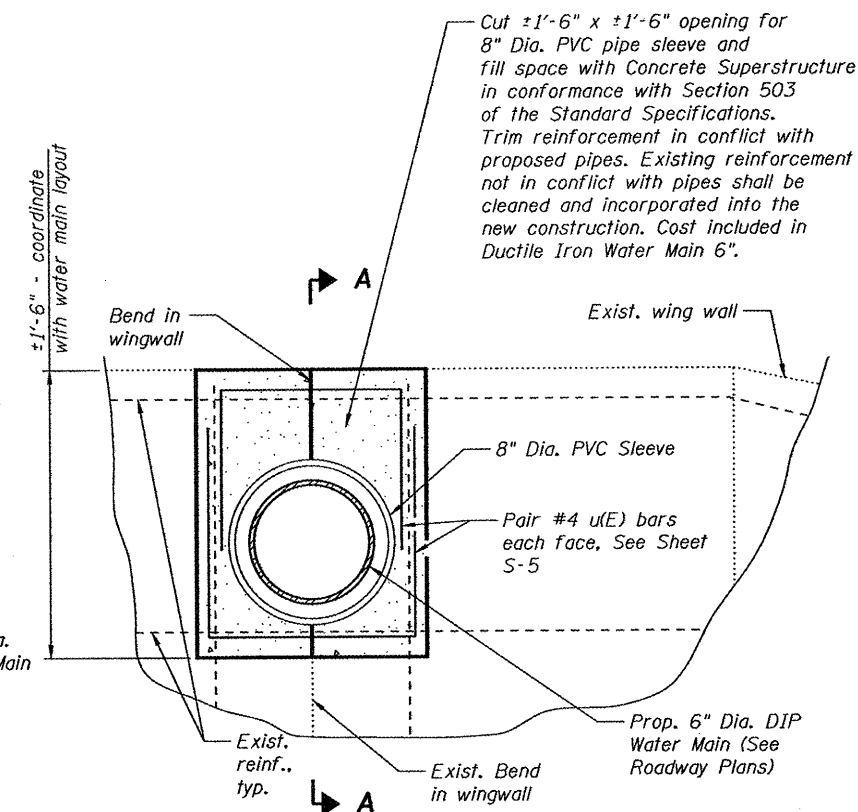
ITEM	UNIT	SUPER	SUB	TOTAL
Removal of Existing Superstructures	Each	1	-	1
Structure Excavation	Cu. Yd.	66.0	-	66.0
Concrete Superstructure	Cu. Yd.	83.7	-	83.7
Bridge Deck Grooving	Sq. Yd.	98	-	98
Protective Coat	Sq. Yd.	162	-	162
Reinforcement Bars, Epoxy Coated	Pound	19,460	-	19,460
Parapet Railing	Foot	58	-	58
Name Plates	Each	1	-	1
Epoxy Crack Injection	Foot	24	-	24
Porous Granular Embankment, Special	Cu. Yd.	15.8	-	15.8
Asbestos Bearing Pad Removal	Each	26	-	26
Structural Repair of Concrete (Depth Less than or Equal to 5")	Sq. Ft.	40	-	40
Structural Repair of Concrete (Depth Greater than 5")	Sq. Ft.	75	-	75



SECTION THRU ABUTMENT
(Horiz. dim. @ Rt. L's)



SECTION A-A



ELEVATION
Looking at front face

WATER MAIN SLEEVE DETAIL

Work with Abutment Details Sheet S-8. The cost for this work shall be included in the unit price bid for Ductile Iron Water Main 6", unless noted otherwise.

u(E) bars will be paid for as Reinforcement Bars, Epoxy Coated (See Sheet S-5).

PVC sleeve shall conform to Article 1040.03(a) of the Standard Specifications.

COMPANY NAME: HRGreen
 PROJECT CONTACT: arff
 CLIENT: City of Rockford
 DATE PLOTTED: 3/23/2012 11:53:33 AM
 FILE NAME: 0610077-8pen.dgn
 PLOT DRIVER: pdf.plt
 PEN TABLE: standard-trans.tbl



USER NAME = whood	DESIGNED - KMA	REVISED -
	CHECKED - WJH	REVISED -
PLOT SCALE =	DRAWN - RGD	REVISED -
PLOT DATE = 3/23/2012	CHECKED - 3/26/12	REVISED -

CITY OF ROCKFORD

**PIERCE AVENUE OVER NORTHWEST DRAINAGEWAY
GENERAL NOTES AND TOTAL BILL OF MATERIALS**

SHEET NO. S-2 OF S-8 SHEETS

F.A. RTE. 5033	SECTION 11-00581-00-BR	COUNTY WINNEBAGO	TOTAL SHEETS 17	SHEET NO. 9
CONTRACT NO.				

ILLINOIS FED. AID PROJECT