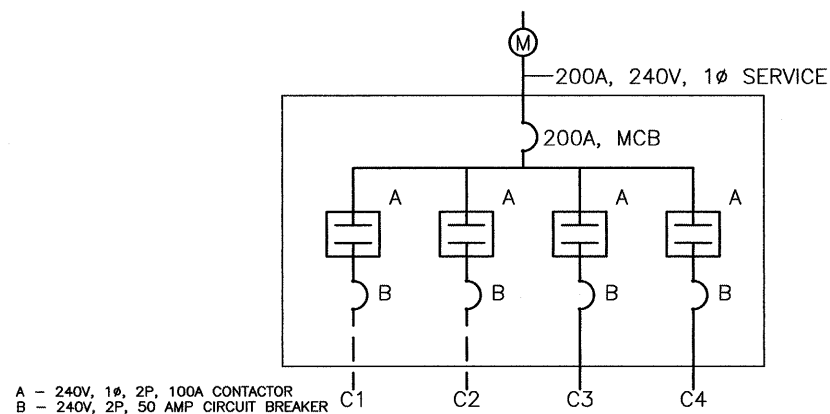


GENERAL NOTES

- CONTRACTOR SHALL CONSTRUCT NEW LIGHT POLE FOUNDATIONS, SPECIAL AT THE LOCATIONS SHOWN ON SHEET 55, RELOCATE EXISTING LIGHTING UNITS AND CONTROLLER, AND REMOVE EXISTING LIGHT POLE FOUNDATIONS.
- THE CONTRACTOR SHALL VERIFY THE EXACT LOCATION OF ALL UNDERGROUND UTILITIES PRIOR TO BEGINNING CONSTRUCTION (J.U.L.I.E. 800/892-0123).
- A 1/4" DIAMETER CONTINUOUS NYLON ROPE SHALL BE FURNISHED AND LEFT IN PLACE IN ALL CONDUITS BETWEEN HANDHOLES AND FOUNDATIONS AS INCIDENTAL TO THE RESPECTIVE CONDUIT PAY ITEM.
- NO ADDITIONAL COMPENSATION WILL BE ALLOWED FOR PLACING CONDUIT AT GREATER THAN 2 FEET MINIMUM DEPTH TO AVOID OBSTACLES SUCH AS UNDERGROUND UTILITIES.
- THE CONTRACTOR IS RESPONSIBLE FOR THE COST OF UNCOVERING OR HAND DIGGING AROUND UTILITIES, AS NECESSARY, INCIDENTAL TO THE CONDUIT PAY ITEM.
- ALL UNDERGROUND CONDUIT SHALL HAVE A MINIMUM COVER OF 2'-6".
- ANY DAMAGE SUSTAINED TO THE EXISTING LIGHTING SYSTEM, INCLUDING LIGHT POLES, LUMINAIRES, CONTROLLERS, CONDUIT, AND ELECTRICAL CABLE, SHALL BE REPAIRED IN KIND AT THE SOLE EXPENSE OF THE CONTRACTOR.
- CONTRACTOR SHALL INSTALL LIGHT POLES AT THE LOCATIONS INDICATED ON THE PLANS, MAINTAINING ADEQUATE CLEARANCE FROM UTILITY LINES. CONTRACTOR SHALL BE RESPONSIBLE TO VERIFY CLEARANCES PER THE NATIONAL SAFETY CODE AND/OR THE REQUIREMENTS OF THE UTILITY COMPANY. THE LOCATION OF BURIED AND ABOVE GROUND UTILITIES SHOWN ARE APPROXIMATE AND ARE SHOWN FOR INFORMATION ONLY. REROUTING, DISCONNECTIN, RELOCATING, PROTECTING, ETC. ANY UTILITIES MUST BE COORDINATED BETWEEN THE CONTRACTOR, UTILITY COMPANY, AND OWNER. THE CONTRACTOR SHALL VERIFY THE EXACT LOCATION OF ALL UNDERGROUND UTILITES PRIOR TO CONSTRUCTION.
- INSTALL LUMINAIRES PERPENDICULAR TO THE CENTERLINE OF THE ROADWAY AS REQUIRED BY ARTICLE 821.04 OF THE STANDARD SPECIFICATIONS.
- ALL CONDUIT UNDER THE ROADWAY SHALL BE PVC SCHEDULE 80.
- EXISTING LIGHT POLE NUMBERS ARE BASED ON THE AS-BUILT PLANS.

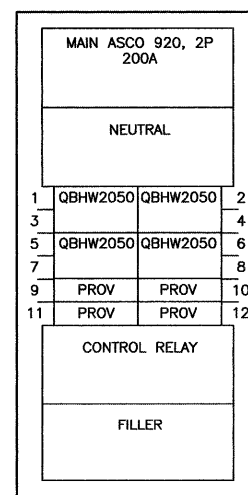
LOCATION*	LIGHTING QUANTITIES											
	LIGHT NUMBER	LIGHT NUMBER OR CONTROLLER (CONT.)	81028350 UNDERGROUND CONDUIT, PVC, 2" DIA.	81702120 ELECTRIC CABLE IN CONDUIT (XLP-TYPE USE) 1/2" NO. 8	81702140 ELECTRIC CABLE IN CONDUIT (XLP-TYPE USE) 1/2" NO. 4	84200804 REMOVAL OF POLE FOUNDATION	84400105 RELOCATE EXISTING LIGHTING UNIT	8450010 REMOVAL OF LIGHTING CONTROLLER FOUNDATION	X8380110 LIGHT POLE FOUNDATION, SPECIAL	X8660077 REMOVE AND RELOCATE EXISTING CONTROLLER	XX007393 DECORATIVE LIGHT TYPE A	
	FROM	TO	FOOT	FOOT	FOOT	EACH	EACH	EACH	FOOT	EACH	EACH	
	34	35	132	282	282	-	-	-	-	-	-	
	35	36	137	286	286	-	-	-	-	-	-	
	36	37	152	316	316	-	-	-	-	-	-	
	37	38	131	274	274	-	-	-	-	-	-	
	38	CONT.	73	158	158	-	-	-	-	-	-	
	71	72	136	290	290	-	-	-	-	-	-	
	72	73	135	282	282	-	-	-	-	-	-	
	73	74	146	304	304	-	-	-	-	-	-	
	74	75	140	292	292	-	-	-	-	-	-	
	75	CONT.	161	334	334	-	-	-	-	-	-	
	75	76	74	160	160	-	-	-	-	-	-	
	CONT.	77	127	266	266	-	-	-	-	-	-	
	77	78	85	182	182	-	-	-	-	-	-	
STA. 155+18, 19.6' RT	72	-	-	-	-	1	1	-	5	-	-	
STA. 155+82, 21.2' LT	35	-	-	-	-	1	1	-	5	-	-	
STA. 156+46, 22.8' RT	73	-	-	-	-	1	1	-	5	-	-	
STA. 157+12, 39.5' LT	36	-	-	-	-	1	1	-	5	-	-	
STA. 157+86, 24.6' RT	74	-	-	-	-	1	1	-	5	-	-	
STA. 158+58, 40.1' LT	37	-	-	-	-	1	1	-	5	-	-	
STA. 159+20, 24.6' RT	75	-	-	-	-	1	1	-	5	-	-	
STA. 159+83, 46.1' LT	38	-	-	-	-	1	1	-	5	-	-	
STA. 159+84.5, 47.2' RT	76	-	-	-	-	-	-	-	5	-	1	
STA. 160+89, 35.5' LT	77	-	-	-	-	-	-	-	5	-	1	
STA. 160+90, 43.6' RT	78	-	-	-	-	-	-	-	5	-	1	
STA. 159+94, 111.6' LT	CONT.	-	-	-	-	-	-	1	-	1	-	
			TOTAL	1629	3426	3426	8	8	1	55	1	3

* - OFFSETS GIVEN ARE TO NEW LOCATIONS
CONT. = CONTROLLER



LIGHTING CONTROL PANEL NO. 4
CIRCUIT NO. 1 : LIGHTS 34-38
CIRCUIT NO. 2 : LIGHTS 71-76
CIRCUIT NO. 3 : LIGHTS 77-78

CONTROL PANEL SCHEMATIC



EXISTING LIGHTING CONTROL PANEL

EXISTING LIGHTING APPURTENANCES ELECTRICAL NOTES

- Service Voltage: 120/240V 1Ph 3W Enclosure: NEMA 4
Bus Rating & Type: 250A Copper
Ground Bar: Std. Bolted Copper, Cu cable only
S.C. Rating: 22k A.I.C. Fully Rated
- Main Device Type: Main ASCO, Top Cable Entry - UL Rated
Main Terminals: Mechanical - (1) #6-350 kcmil (Cu/Al)
Neutral Terminals: Mechanical - (1) #6-350 kcmil (Cu/Al)
Box Catalog No.: N42472
Trim: Complete Enclosure (Included) Surface Mounted
- Box Dimensions: 72" H x 24" W x 6" D
Min. Gutter Size: Top = 5.5" Bottom = 5.5" Left = 4" Right = 4"
- Panel ID Nameplate: (1) s-2
Type: Plastic, adhesive-backed (2)
Color: Black with White Letters (3)
- Additional Panel Features and Modifications:
Copper Neutral
Trim Lock: Padlockable Hasps
Circuit Directory: Plastic Sleeve with Card
ASCO Control Relay: 2-Wire Control Relay
ASCO Control Relay Control Power: Internal 120Vac
- Meter Base: 200 AMP - 4 Terminal - Meter Main Pedestal - 1Ph
Milbank Cat. No.: UB980-0-KK-LP, Horn Type Bypass
4/0 AWG Line Conn. (Cu/Al), Low Profile W/ 2 Pole Plug in
Circuit Breakers - Cat. No. WBJ 2200
- Electronic Time Switches: Intermatic Model No. ET70115CR
- Electrical Conductors: 2 - #4 AWG - THWN
2 - #8 AWG - THWN
- Breakaway In-Line Fuse Kits: Dual In-Line Phased Fuse Breakaway D65
Dual In-Line Phased Neutral Fused Breakaway D65 PN
- Street Lighting Kit: Innovative Power Products SLK Series Cat. No. SLK02
- Electrical Conduit: PVC - Schedule 40 - 1"
- Electrical Junction Boxes:
W/Light Standard Concrete Bases - Hoffman A-12R126 NEMA 3R Enclosure
W/O Light Standard Bases - Hoffman Box - PC1212BA12, Cover - PC12120A17

CONTRACT NO. 87520

DRAWN BY: NV	REVISIONS			
	LEVEL	BY	DATE	DESCRIPTION
CHECKED BY: JKC				
DATE: 02/12				

CHAMLIN & ASSOCIATES
PERU MORRIS ILLINOIS

FAS 301/FAU 383
SECTION 11-0007-00-WR
VILLAGE OF DIAMOND
GRUNDY AND WILL COUNTIES

LIGHTING DETAILS

CONSTRUCTION PLANS

CURRENT AS OF: 02/12	
SCALE: AS NOTED	SHEET 53
FILE NO.: 66022.01 Y-	OF 96