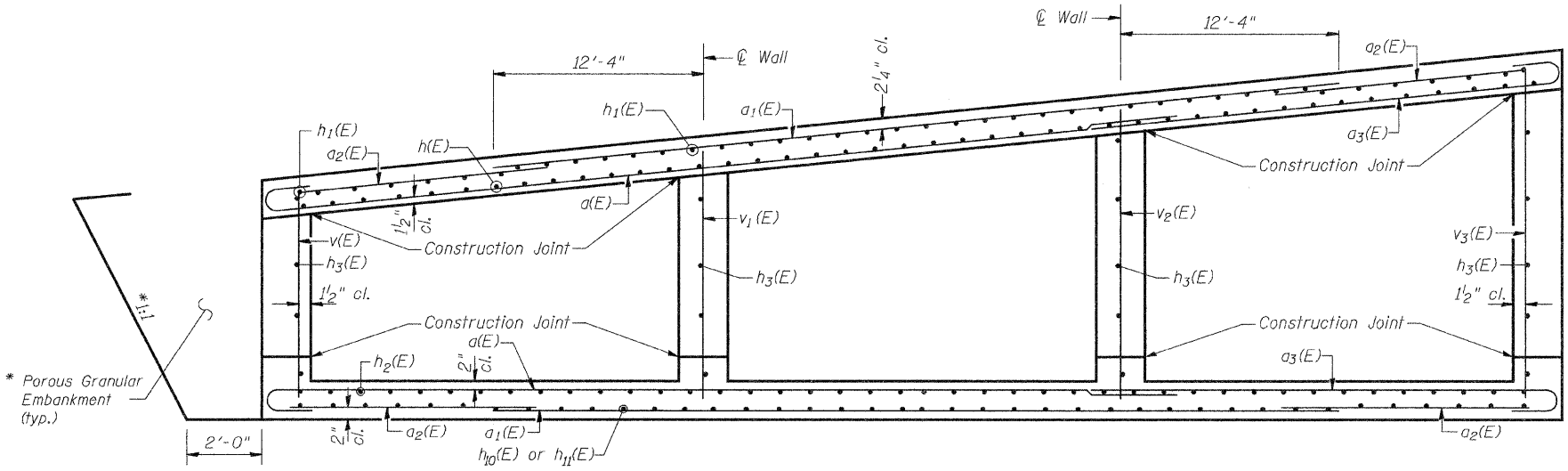
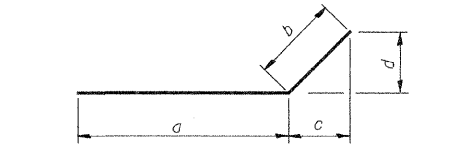
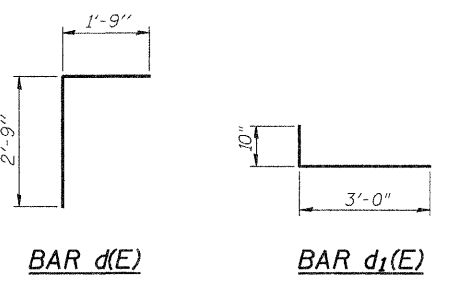
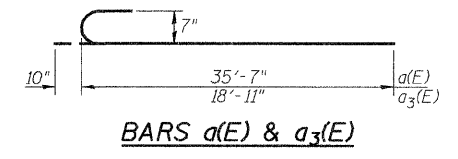


END ELEVATION
Showing Dimensions (Downstream Looking Upstream)

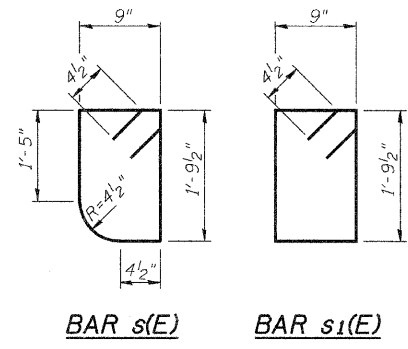


SECTION THRU BARREL
Showing Reinforcement (Downstream Looking Upstream)

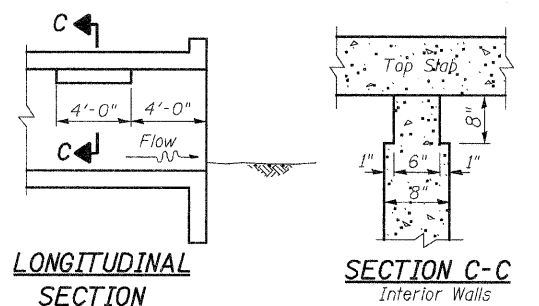


Bar	a	b	c	d
h4(E)	5'-0"	3'-0"	2'-1 1/2"	2'-1 1/2"
h5(E)	5'-0"	3'-0"	2'-1 1/2"	2'-1 1/2"
h6(E)	13'-6"	3'-0"	2'-1 1/2"	2'-1 1/2"
h7(E)	12'-6"	3'-0"	2'-1 1/2"	2'-1 1/2"

BARS h4(E), h5(E), h6(E), & h7(E)



BAR s(E) BAR s1(E)



PHOEBE NESTING SITE DETAIL
(Downstream End Only - Cost Included with Concrete Box Culverts)

BILL OF MATERIAL

Bar	No.	Size	Length	Shape
a(E)	94	#7	36'-5"	C
a1(E)	102	#6	41'-4"	—
a2(E)	104	#4	7'-2"	—
a3(E)	94	#7	19'-9"	C
d(E)	100	#4	4'-6"	L
d1(E)	90	#5	3'-10"	L
h(E)	44	#5	28'-9"	—
h1(E)	48	#4	28'-9"	—
h2(E)	48	#4	28'-9"	—
h3(E)	37	#5	28'-9"	—
h4(E)	34	#8	8'-0"	—
h5(E)	26	#8	8'-0"	—
h6(E)	52	#8	16'-6"	—
h7(E)	42	#8	15'-6"	—
h8(E)	22	#6	23'-0"	—
h9(E)	22	#6	30'-6"	—
h10(E)	48	#4	6'-0"	—
h11(E)	48	#4	21'-6"	—
s(E)	50	#4	5'-8"	—
s1(E)	150	#4	5'-10"	—
v(E)	41	#4	8'-10"	—
v1(E)	39	#4	9'-1"	—
v2(E)	39	#4	9'-4"	—
v3(E)	41	#4	9'-7"	—
v4(E)	8	#4	11'-9"	—
v5(E)	8	#4	12'-7"	—
Concrete Box Culverts		CU YD	193.3	
Reinforcement Bars, Epoxy Coated		POUND	32,400	

CULVERT DETAILS

SHEET NO. 3	RTE.	SECTION	COUNTY	TOTAL SHEETS	SHEET NO.
5 SHEETS	DIVISION ST.	11-00692-00-DR	LA SALLE	15	11
	S.N. 050-8025		CONTRACT NO. 87521		
	FED. ROAD DIST. NO. 7 ILLINOIS		FED. AID PROJECT BRM-5066(017)		