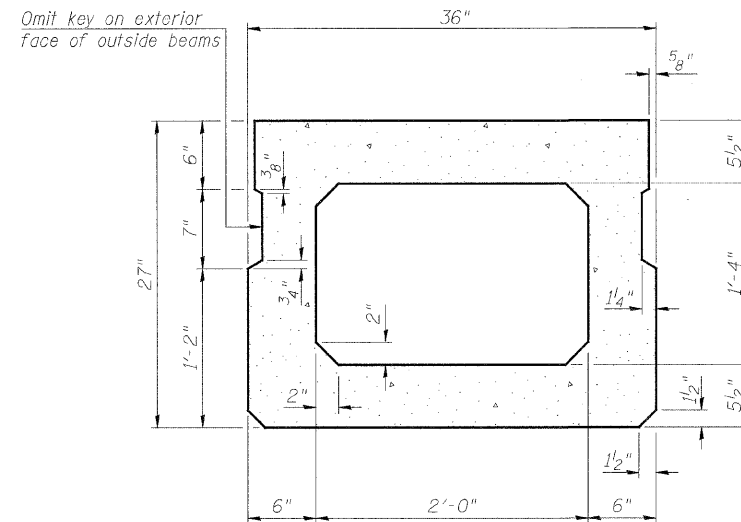
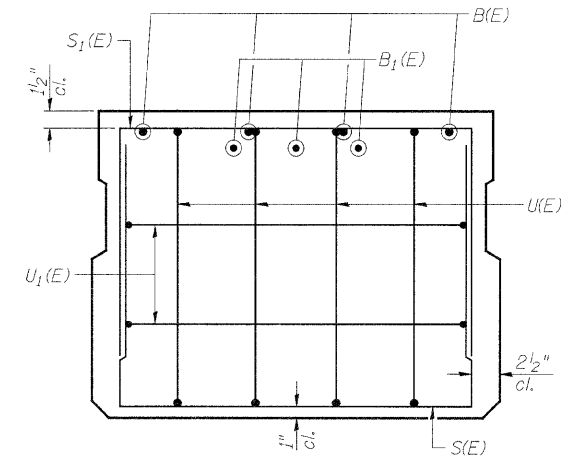


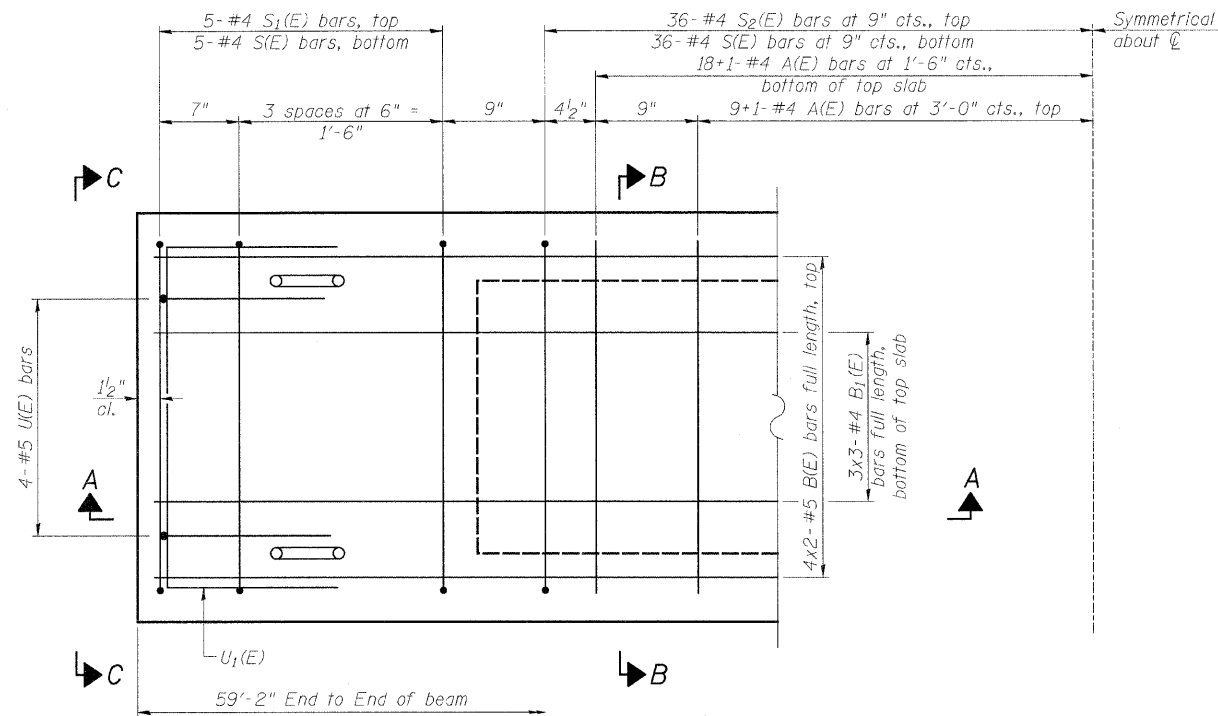
SECTION A-A



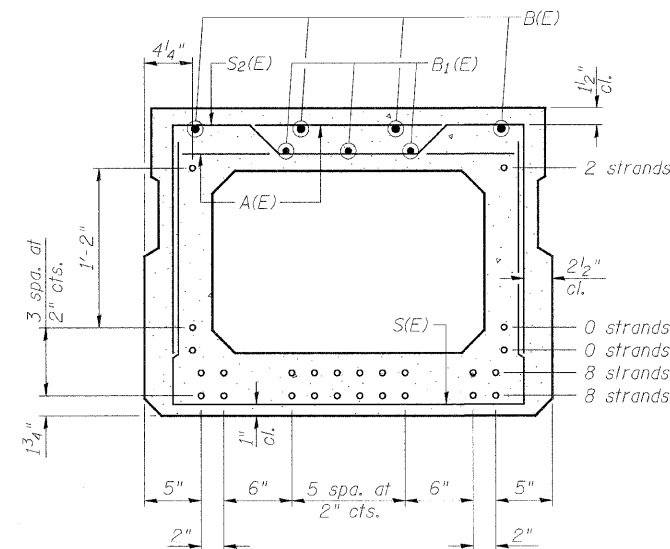
SECTION B-B
(Showing dimensions)



VIEW C-C



PLAN VIEW



SECTION B-B
(Showing reinforcement and permissible strand locations)

NOTE:
Place the number of strands specified in each row symmetrically about the centerline of beam in the permissible strand locations shown.

BAR LIST
ONE BEAM ONLY
(For information only)

Bar	No.	Size	Length	Shape
A(E)	54	#4	2'-7"	—
B(E)	8	#5	30'-9"	—
B1(E)	9	#4	21'-0"	—
S(E)	82	#4	6'-5"	□
S1(E)	10	#4	5'-11"	□
S2(E)	72	#4	6'-2"	□
U(E)	8	#5	4'-6"	□
U1(E)	4	#4	5'-0"	□

NOTES:

See Structural Sheet 4 of 9 for additional details and Bill of Material.

Spacing of S(E) and S2(E) bars may be adjusted up to 4" in the immediate area of the transverse tie diaphragms to miss the block outs for the transverse ties.

Bars indicated thus 4x2-#5 etc. indicates 4 lines of bars with 2 lengths per line.

Bars indicated thus 9+1-#4 etc. indicates 9 bars each side of centerline plus 1 additional bar at centerline.

MINIMUM BAR LAP

#4 bar = 2'-0"
#5 bar = 2'-6"

FILE = S:\PROJECTS\2018\1287D10 - Bureau Co. TRIGRES DESIGN STRUCTURE\2018-271 - Deck Beam.dgn

DESIGNED - MICHAEL WAGNER	REVISED -
CHECKED - BRIAN CONVERSE	REVISED -
DRAWN - RON ALLEN	REVISED -
CHECKED - MEGAN CACKLEY	REVISED -

BUREAU COUNTY
T.R. 106 (850 E. ST.) OVER HICKORY CREEK
STATION 20 + 00

27" x 36" PPC DECK BEAM
STRUCTURE NO. 006-4218

STRUCTURAL SHEET NO. 3 OF 9 SHEETS

TWP.	SECTION	COUNTY	TOTAL SHEETS	SHEET NO.
106	08-15119-00-BR	BUREAU	18	9
WHA# 1287D10		CONTRACT NO. 87523		
ILLINOIS FED. AID PROJECT BROS-0011066				