

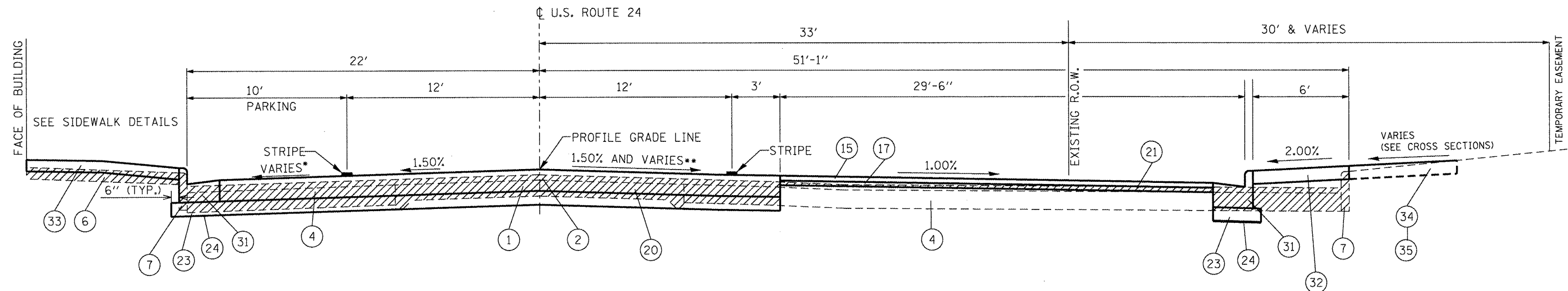
TYPICAL SECTION NO. 4

STA. 921+19 TO STA. 927+84.91 (BK) = STA. 0+00.00 (AH)

* SLOPE FROM STA. 921+18 TO STA. 922+00 = 4.00%
 SLOPE TRANSITIONS FROM 4.00% AT STA. 922+00 TO 1.50% AT STA. 922+25.
 SLOPE FROM STA. 922+25 TO STA. 924+92.2 = 1.50%
 SLOPE FROM STA. 925+07 TO 927+13.51 = 4.00%

** SLOPE FROM STA. 921+19 TO STA. 924+23.45 = 1.50%
 SLOPE TRANSITIONS FROM 1.50% AT STA. 924+23.45 TO 1.00% AT STA. 924+50.
 SLOPE FROM STA. 924+50 TO STA. 0+15 = 1.00%
 SLOPE TRANSITIONS FROM 1.00% AT STA. 0+15 TO 1.50% AT STA. 0+49.5.
 SLOPE FROM STA. 0+49.5 TO STA. 3+53 = 1.50%

*** SLOPE FROM STA. 921+19 TO STA. 924+23.45 = 1.50%
 SLOPE FROM STA. 925+07 TO STA. 927+17 = 1.00%



TYPICAL SECTION NO. 5

STA. 927+84.90 (BK) = STA. 0+00 (AH) TO STA. 3+53

EXISTING

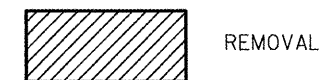
- ① PORTLAND CEMENT CONCRETE PAVEMENT, 9"-6"-9"
- ② BITUMINOUS CONCRETE SURFACE OVERLAY, 3"-5"
- ③ BITUMINOUS BASE COURSE WIDENING, 9"
- ④ PORTLAND CEMENT CONCRETE BASE COURSE WIDENING
- ⑥ PORTLAND CEMENT CONCRETE OR BRICK SIDEWALK, 4"-5"
- ⑦ CONCRETE CURB

PROPOSED

- ⑮ POLYMERIZED HOT-MIX ASPHALT SURFACE COURSE, MIXTURE "D", N50 (1-1/2")
- ⑰ POLYMERIZED HOT-MIX ASPHALT BINDER COURSE, IL-12.5 N50 (1 1/2" (MIN.))
- ⑱ POLYMERIZED HOT-MIX ASPHALT BINDER COURSE, IL-12.5 N50 (2 1/4")
- ⑲ HOT-MIX ASPHALT SURFACE REMOVAL, 1"
- ⑳ PORTLAND CEMENT CONCRETE PAVEMENT 8-3/4" (JOINTED)
- ㉑ HOT-MIX ASPHALT SURFACE REMOVAL, VARIABLE DEPTH
- ㉓ SUB-BASE GRANULAR MATERIAL, TYPE B (8")
- ㉔ GEOTECHNICAL FABRIC FOR GROUND STABILIZATION
- ㉕ AGGREGATE SHOULDERS, TYPE B

- ⑳ COMBINATION CONCRETE CURB AND GUTTER, TYPE B-6.24
- ㉑ PORTLAND CEMENT CONCRETE SIDEWALK, 4"
- ㉒ PORTLAND CEMENT CONCRETE SIDEWALK, SPECIAL
- ㉓ TOPSOIL FURNISH & PLACE, 4"
- ㉔ SODDING
- ㉕ SEEDING, CLASS 2A
- ㉖ HEAVY DUTY EROSION CONTROL BLANKET (SEE SCHEDULE FOR LOCATION & LIMITS)

LEGEND



FILE NAME = miscsheets.dgn	USER NAME = diskhausen	DESIGNED -	REVISED -	STATE OF ILLINOIS DEPARTMENT OF TRANSPORTATION	TYPICAL SECTIONS			F.A.P. RTE. 317	SECTION 16W-1, RS-3	COUNTY FULTON	TOTAL SHEETS 347	SHEET NO. 27
	PLOT SCALE = 100.0000' / in.	DRAWN -	REVISED -		SCALE:	SHEET NO.	OF SHEETS	STA.	TO STA.	FED. ROAD DIST. NO.	ILLINOIS FED. AID PROJECT	CONTRACT NO. 88795
	PLOT DATE = 3/12/2012	CHECKED -	REVISED -									
		DATE -	REVISED -									