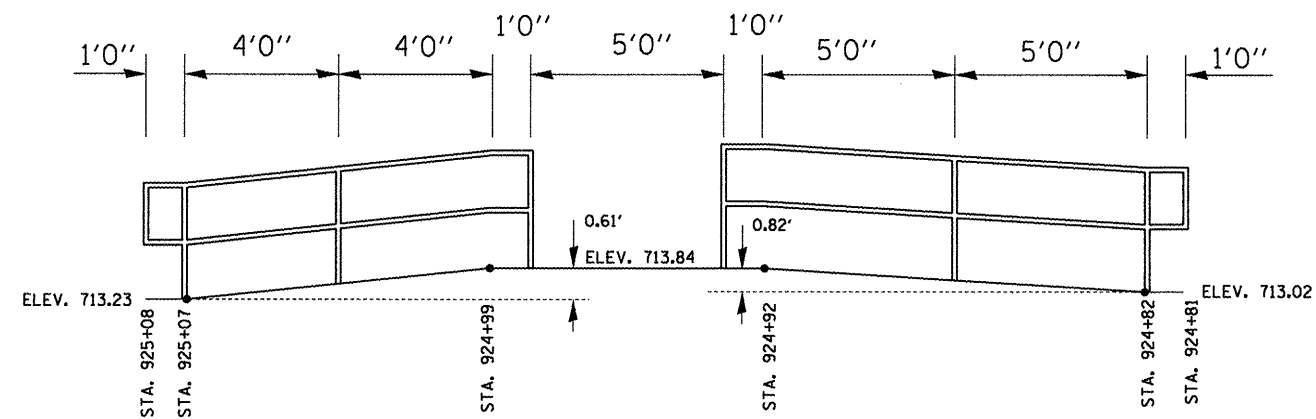
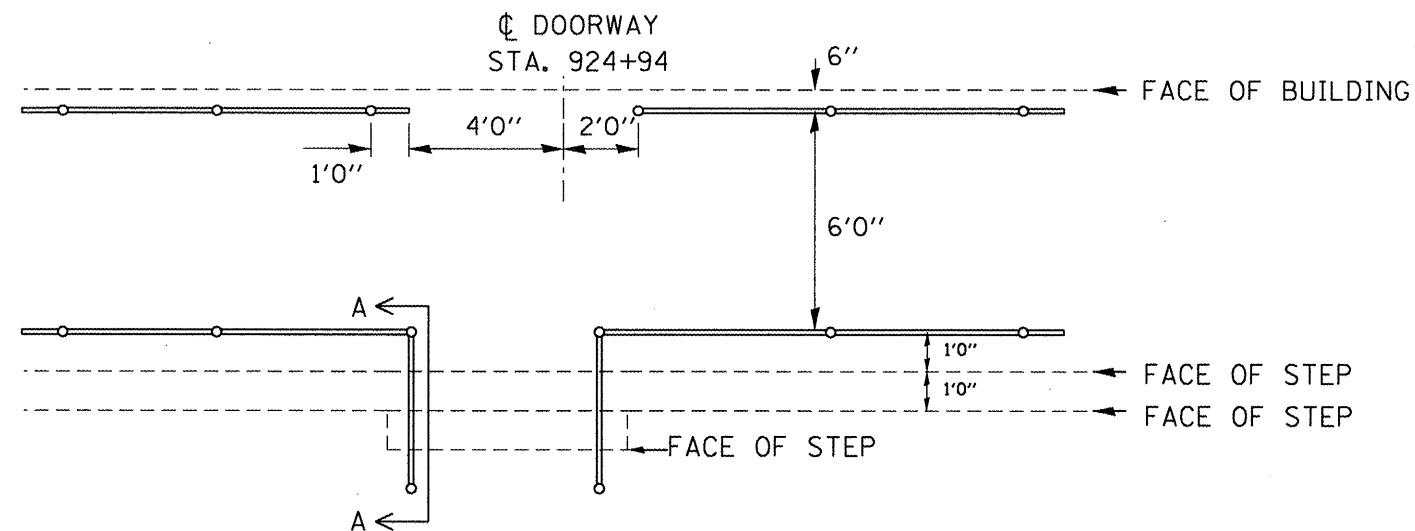


ELEVATION VIEW: FACE OF NORTH RAIL  
(LOOKING NORTH)

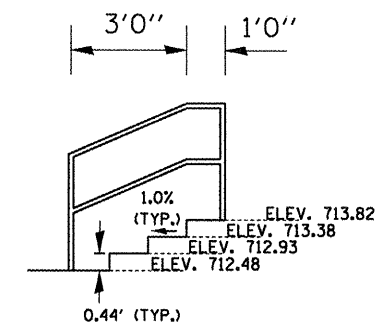


ELEVATION VIEW: FACE OF SOUTH RAIL  
(LOOKING NORTH)

NOTE: HANDRAIL RUNNING DOWN STAIRS  
NOT SHOWN FOR CLARITY.



PLAN VIEW



SECTION AA

NOTE: ALL DIMENSIONS ARE TO CENTER  
OF POST/RAIL.

FILE NAME = miscsheets.dgn	USER NAME = horstkj	DESIGNED -	REVISED -	STATE OF ILLINOIS DEPARTMENT OF TRANSPORTATION	PIPE HANDRAIL DETAILS			F.A.P. RTE. 317	SECTION 16W-1, RS-3	COUNTY FULTON	TOTAL SHEETS 347	SHEET NO. 164
	PLOT SCALE = 5.0000' / 1" =	DRAWN -	REVISED -		US 24 STA. 924 + 81 TO 925 + 08 RT							
	PLOT DATE = 3/20/2012	CHECKED -	REVISED -		SCALE:	SHEET NO.	OF SHEETS	STA.	TO STA.	ILLINOIS FED. AID PROJECT CONTRACT NO. 88795		