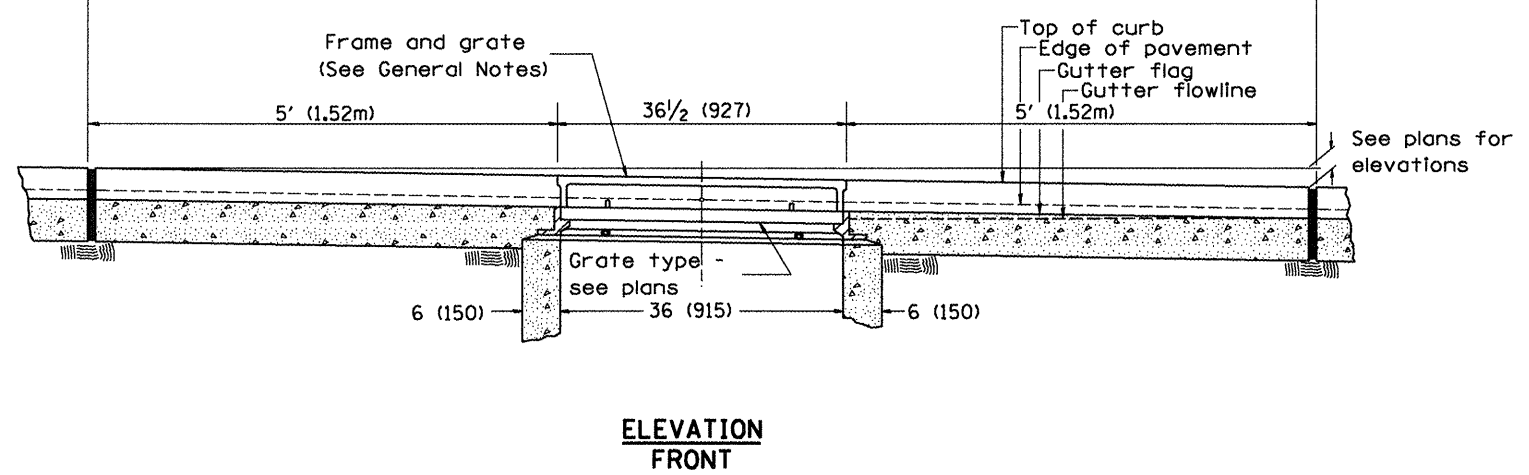


GENERAL NOTES

1. Inlet construction shall be in accordance with Section 602 of the Standard Specifications.
2. Combination Concrete Curb & Gutter shall be constructed in accordance with Section 606 of the Standard Specifications.
3. See District CADD Standard 604001-D4 for frame and grates.



All dimensions are in inches (millimeters) unless otherwise noted.

01-01-97	RENUM. B-4.01, NEW REVISION BOX	T.P.
10-99	REVISION TO GENERAL NOTES	J.A.
02-00	REVISION TO DESIGNER NOTES	J.A.
10-16-06	REVISED TO 2007 SPEC.	M.A.

STATE OF ILLINOIS
DEPARTMENT OF TRANSPORTATION

INLETS, TYPE G-1

NOT TO SCALE

CADD STD. 602001-D4

F.A.P. RTE.	SECTION	COUNTY	TOTAL SHEETS	SHEET NO.
317	16W-1, RS-3	FULTON	347	186
			CONTRACT NO. 88795	
FED. ROAD DIST. NO.		ILLINOIS FED. AID PROJECT		