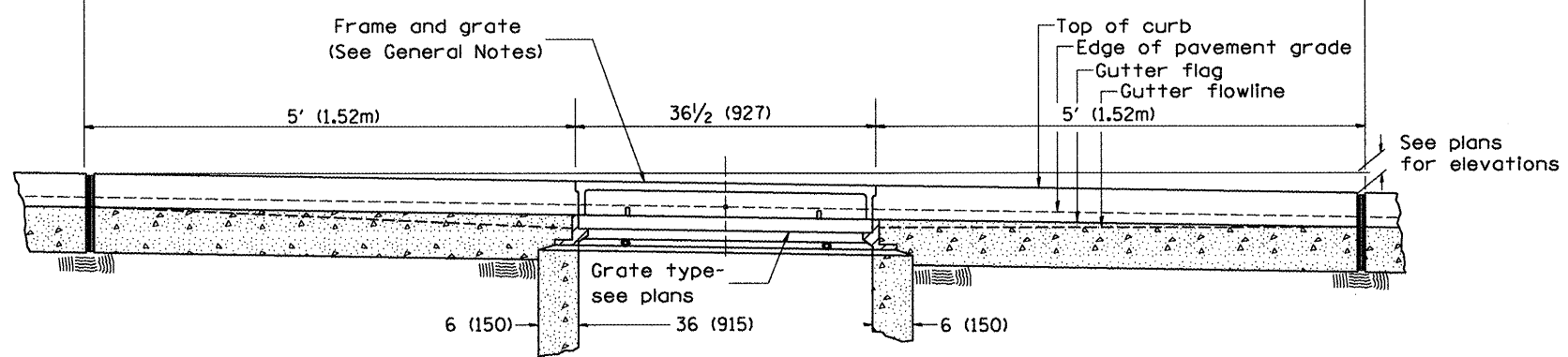
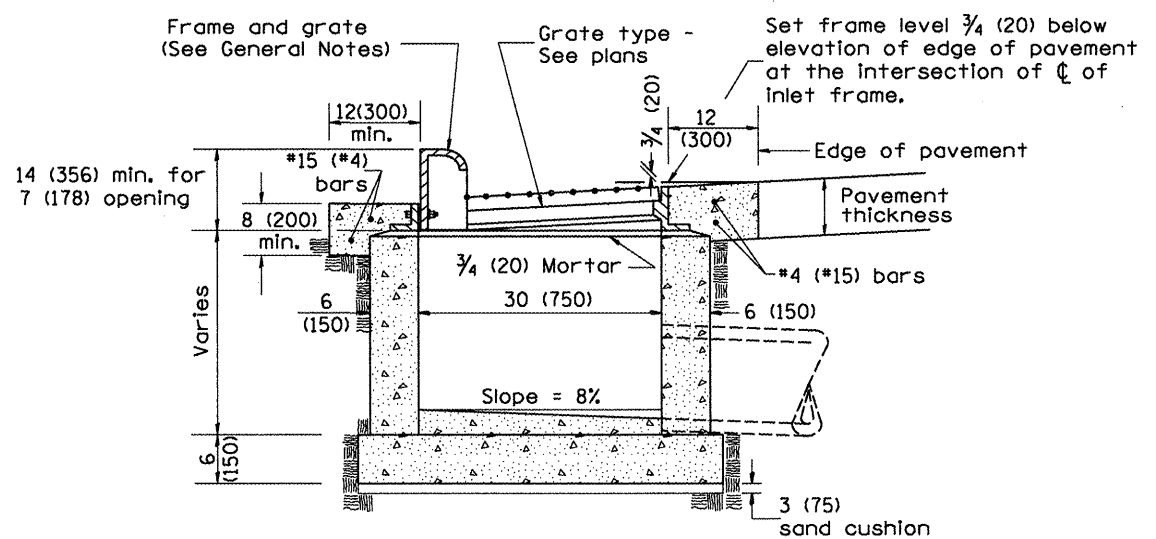


PLAN



ELEVATION (FRONT)



ELEVATION (SIDE)

GENERAL NOTES

1. Inlet construction shall be in accordance with Section 602 of the Standard Specifications.
2. Combination Concrete Curb and Gutter shall be constructed in accordance with Section 606 of the Standard Specifications.
3. See District CADD Standard 604001-D4 for frame and grates.

All dimensions are in inches (millimeters) unless otherwise noted.

01-01-97	RENUM. B-4.02, NEW REVISION BOX	
12-01-98	CORRECT E.O.P. NOTE	J.A.
10-99	REVISION TO GENERAL NOTES	J.A.
10-16-06	REVISED TO 2007 SPEC.	M.A.

STATE OF ILLINOIS
DEPARTMENT OF TRANSPORTATION

INLETS, TYPE G-1, SPECIAL

NOT TO SCALE

CADD STD. 602006-D4

F.A.P. RTE.	SECTION	COUNTY	TOTAL SHEETS	SHEET NO.
317	16W-1, RS-3	FULTON	347	187
FED. ROAD DIST. NO. ILLINOIS FED. AID PROJECT			CONTRACT NO. 88795	