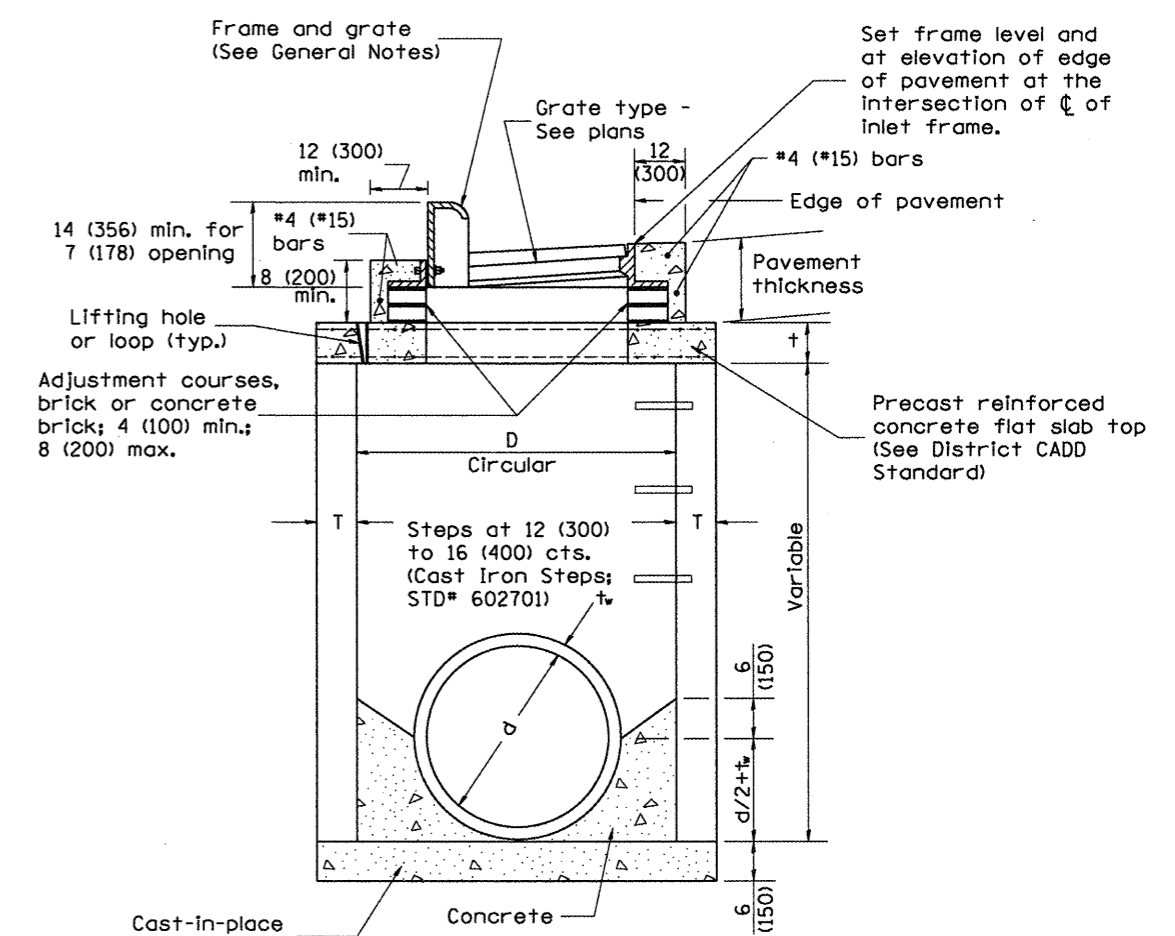
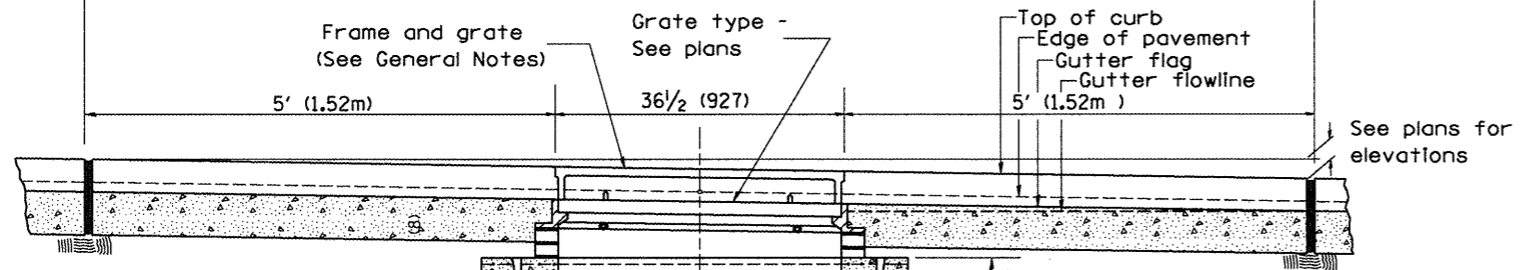


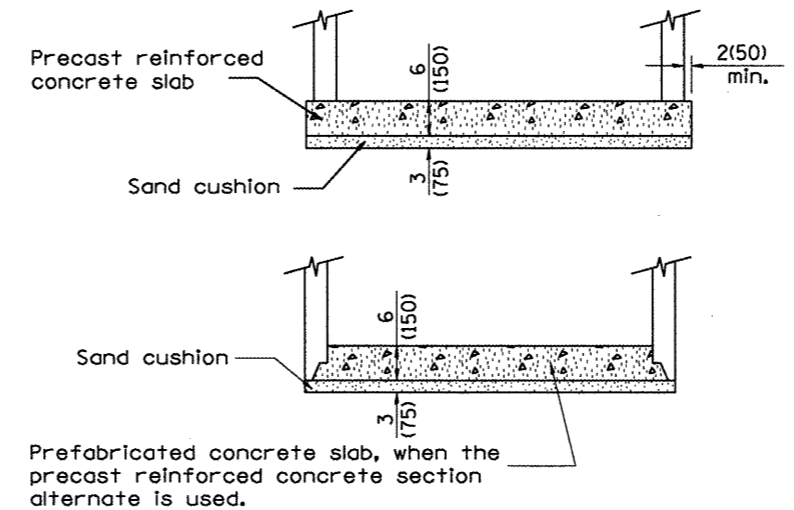
**PLAN**



**ELEVATION (SIDE)**



**ELEVATION (FRONT)**



**ALTERNATE BOTTOM SLAB**

**TABLE**

D	T	t
4' (1.2m)	5 (125)	6 (150)
5' (1.5m)	6 (150)	8 (200)
6' (1.8m)	7 3/4 (195)	8 (200)
8' (2.4m)	9 (225)	10 (250)

**GENERAL NOTES**

1. Inlet-manhole construction shall be in accordance with Section 602 of the Standard Specifications.
2. Combination concrete curb and gutter shall be constructed in accordance with Section 606 of the Standard Specifications.
3. See District CADD Standard 604001-D4 for frame and grates.
4. See District CADD Standard for precast reinforced concrete flat slab top.

All dimensions are in inches (millimeters) unless otherwise noted.

01-01-97	RENUM. B-4.05, NEW REVISION BOX	
10-99	REVISION TO GENERAL NOTES	J.A.
02-00	REVISION TO DESIGNER NOTES	J.A.
10-16-06	REVISED TO 2007 SPEC.	M.A.

**STATE OF ILLINOIS  
DEPARTMENT OF TRANSPORTATION**

**INLET-MANHOLE, TYPE G-1**

NOT TO SCALE

CADD STD. 602021-D4

F.A.P. RTE.	SECTION	COUNTY	TOTAL SHEETS	SHEET NO.
317	16W-1, RS-3	FULTON	347	189
CONTRACT NO. 88795				
FED. ROAD DIST. NO. ILLINOIS FED. AID PROJECT				