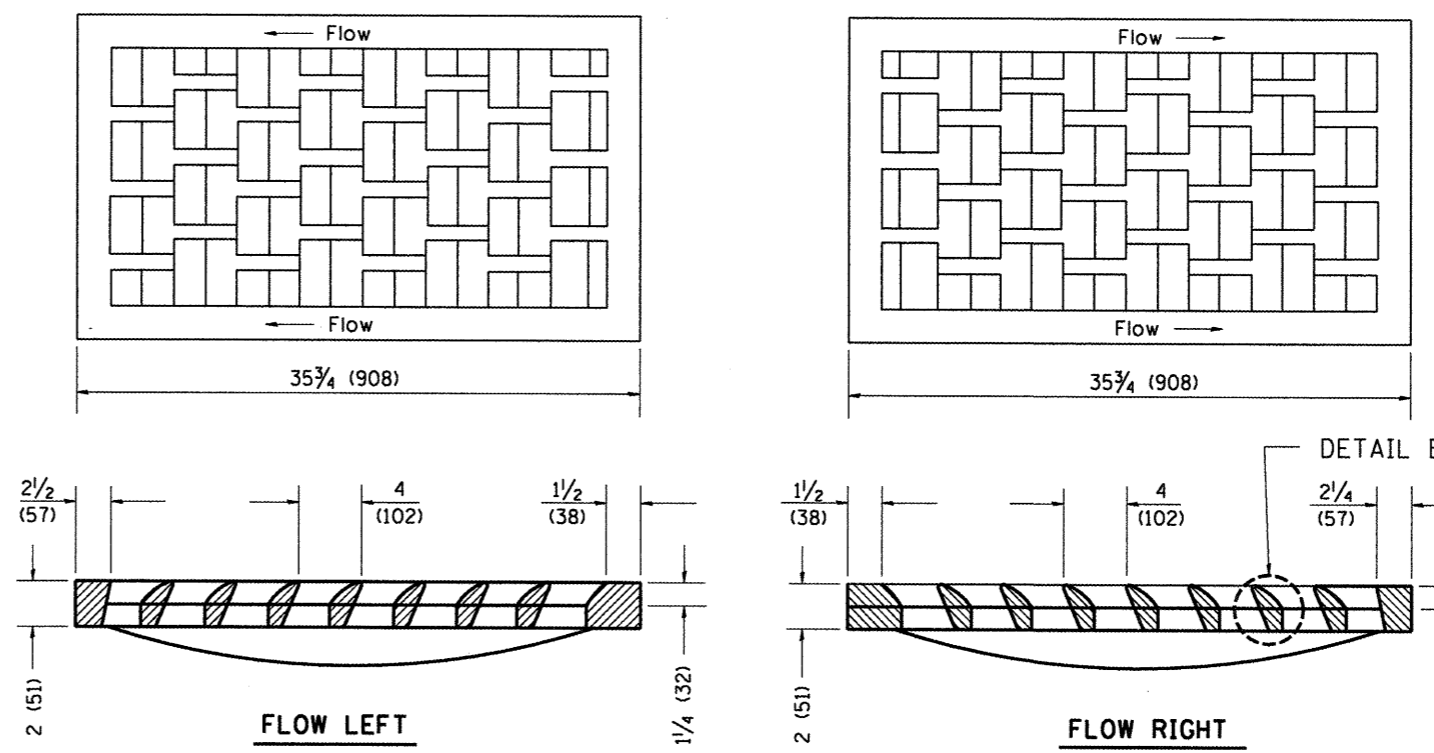
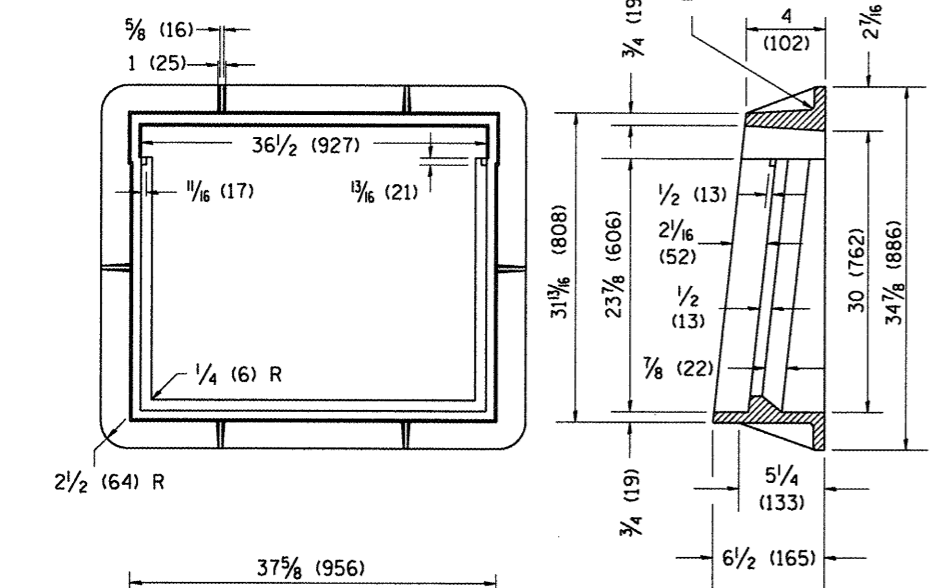
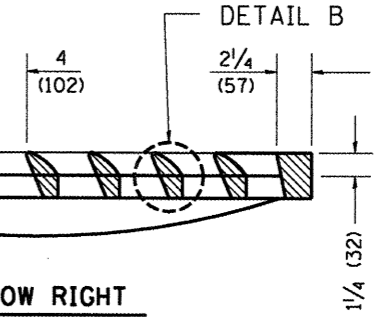
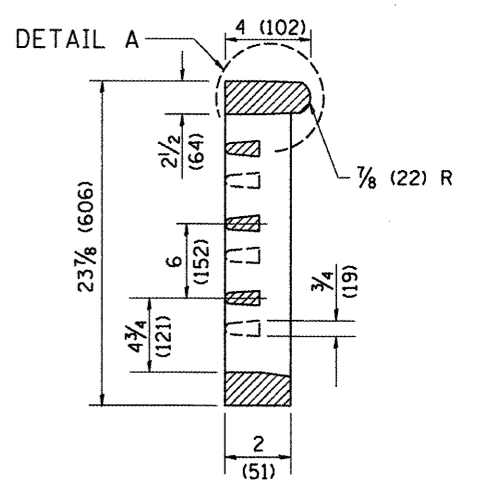


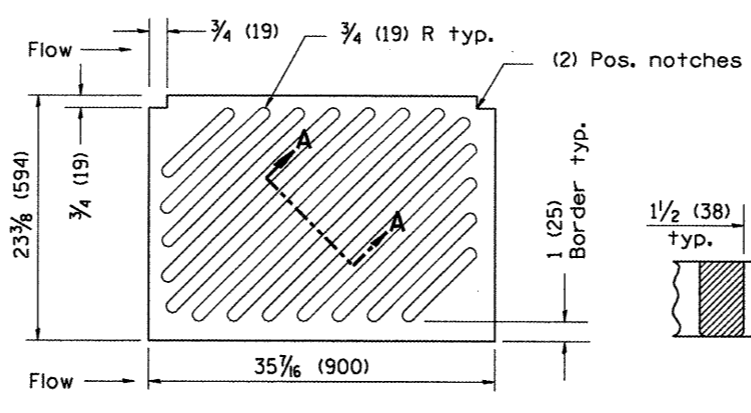
CAST CURB BOX
110 lbs. (50 kg)



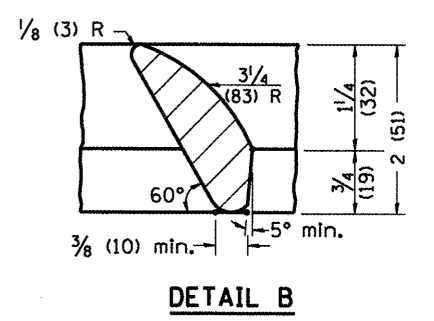
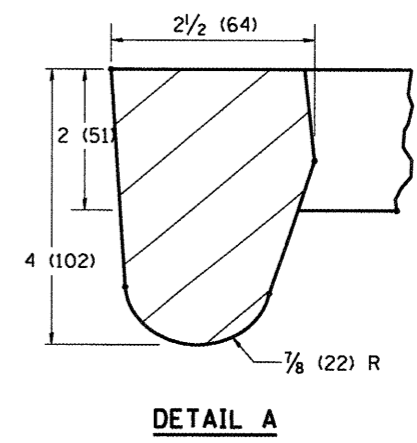
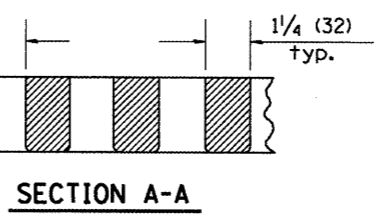
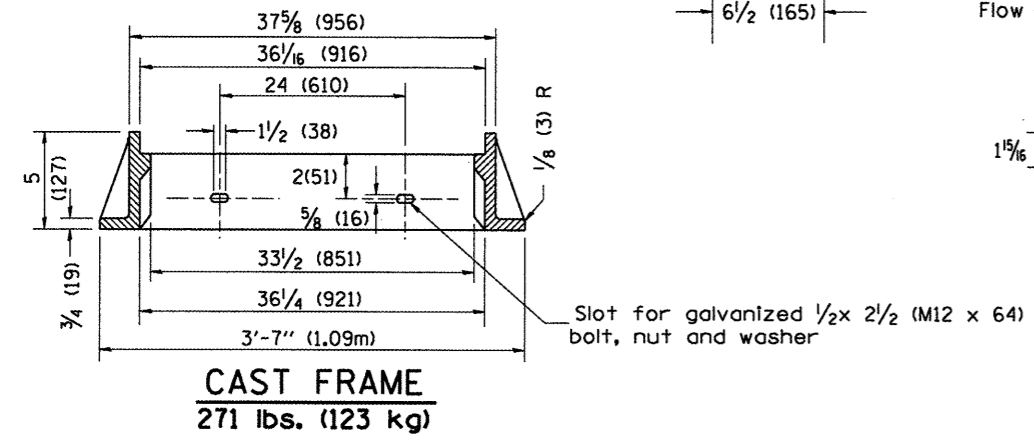
CAST VANE GRATES
(SPECIFY LEFT OR RIGHT FLOW)
230 lbs. (104 KG)



CAST FRAME
271 lbs. (123 kg)



CAST DIAGONAL GRATE
(Reversible for flow)
217 lbs. (98 kg)



GENERAL NOTES

1. The frame and grate shown on this drawing are for use with all TYPE G-1 and TYPE G-1, SPECIAL DRAINAGE STRUCTURES. See plans for grate type and flow direction.
2. Flow direction: As viewed from street side.
3. Material: cast gray iron.

NOTE: Flow right shown

All dimensions are in inches (millimeters) unless otherwise noted.

01-01-97	RENUM. B-10.01, NEW REVISION BOX	T.P.							
10-16-06	REVISED TO 2007 SPEC.	M.A.							
STATE OF ILLINOIS DEPARTMENT OF TRANSPORTATION					FRAME & GRATES FOR TYPE G-1 AND TYPE G-1, SPECIAL DRAINAGE STRUCTURES				
NOT TO SCALE					CADD STD. 604001-D4				
			F.A.P. RTE. 317		SECTION 16W-1, RS-3		COUNTY FULTON		TOTAL SHEETS 347 / 192
									CONTRACT NO. 88795
									FED. ROAD DIST. NO. ILLINOIS FED. AID PROJECT