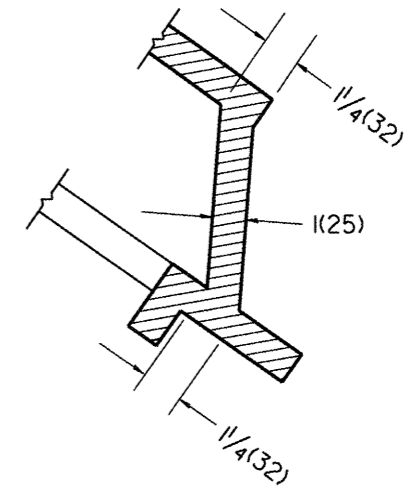
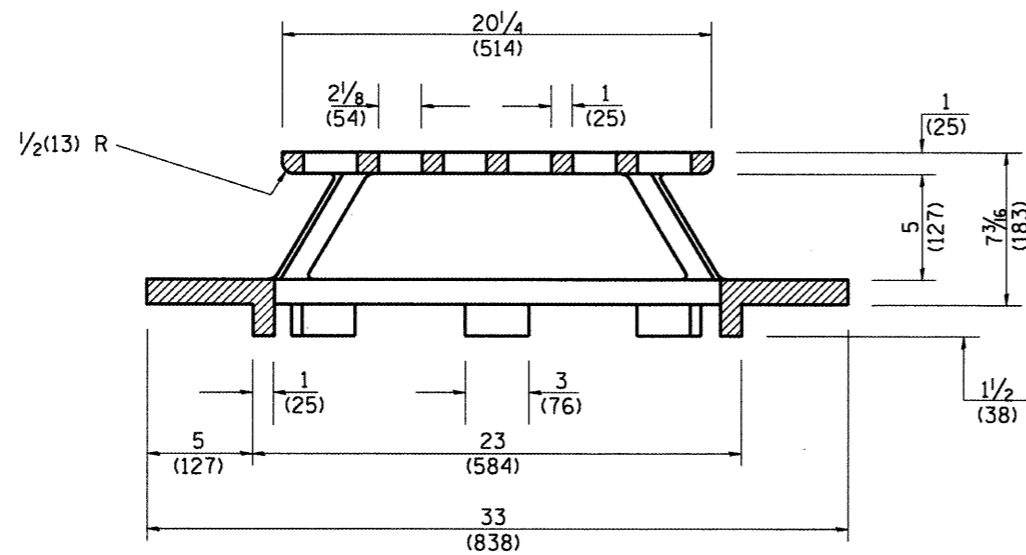


PLAN



SECTION B - B



SECTION A - A

GENERAL NOTES

- MATERIAL - Cast Gray Iron
Weight 209 lbs (95 kg)

All dimensions are in inches (millimeters) unless otherwise noted.

01-01-97	RENUM. B-10.02, NEW REVISION BOX	T.P.																		
10-16-06	REVISED TO 2007 SPEC.	M.A.																		
STATE OF ILLINOIS DEPARTMENT OF TRANSPORTATION										TYPE 37 GRATE					NOT TO SCALE					
										CADD STD. 604301-D4										
										F.A.P. RTE. 317 SECTION 16W-1, RS-3 COUNTY FULTON					TOTAL SHEETS 347 SHEET NO. 193 CONTRACT NO. 88795					
										FED. ROAD DIST. NO. ILLINOIS FED. AID PROJECT										