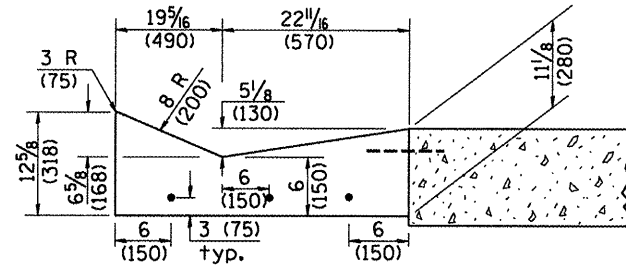
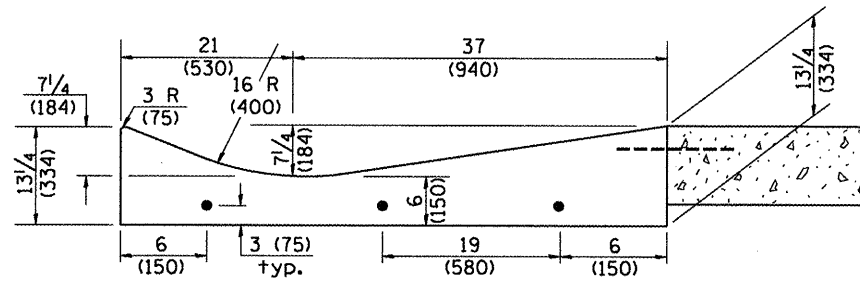


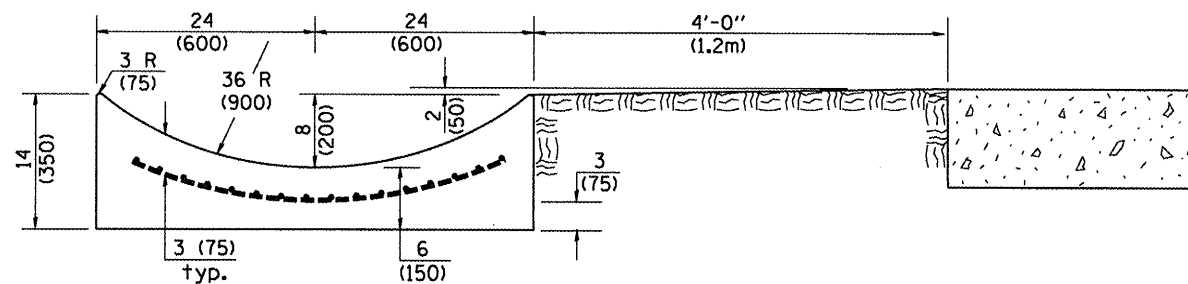
SECTION A-A



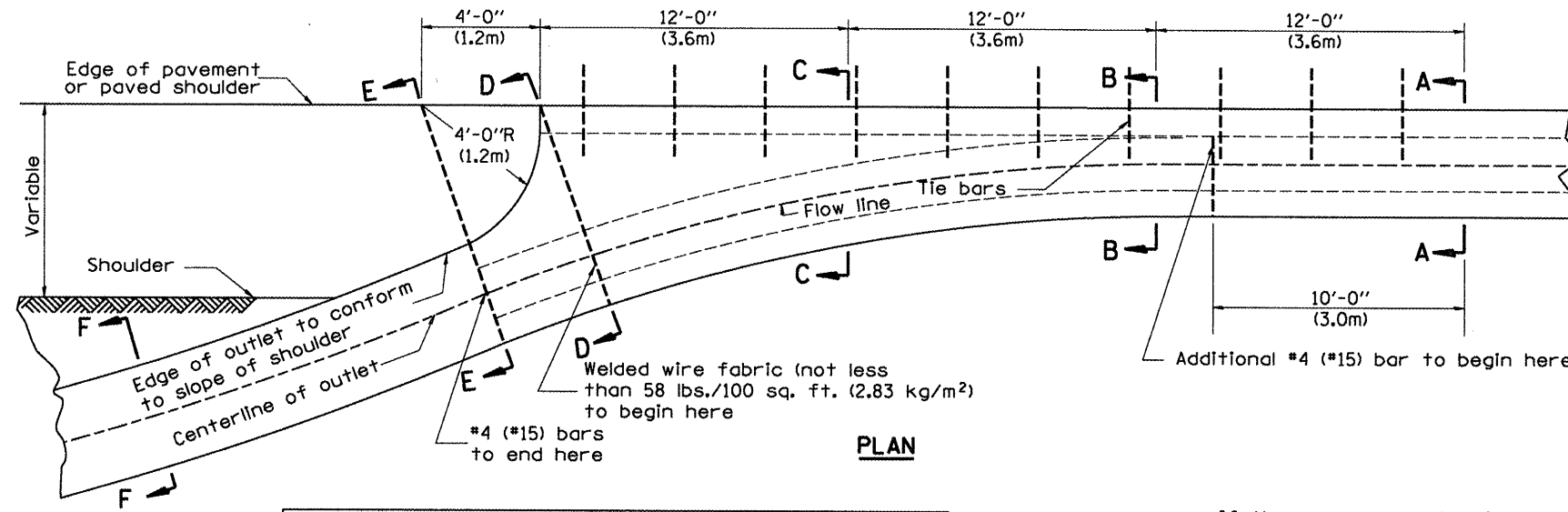
SECTION B-B



SECTION C-C



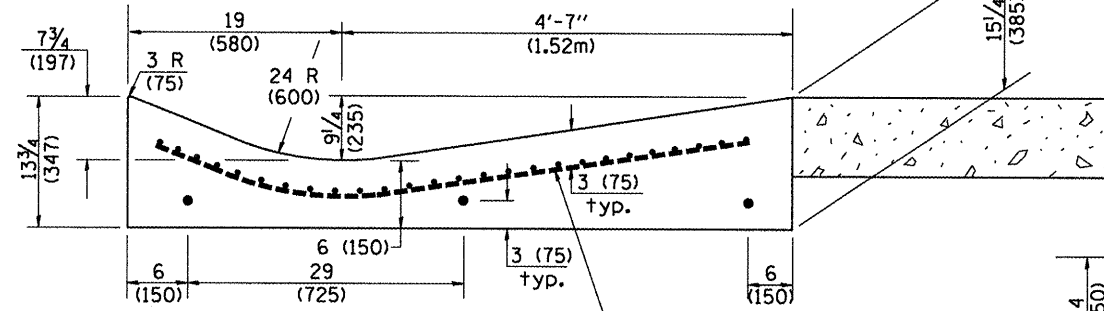
SECTION E-E



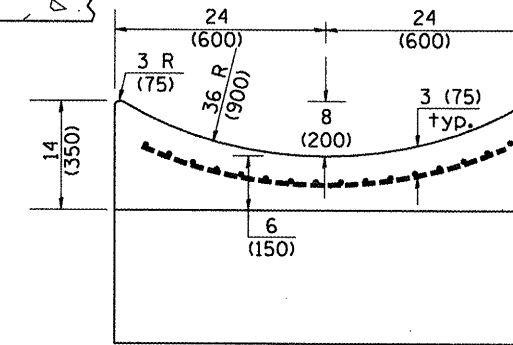
PLAN

QUANTITY
 Section A-A to E-E= 4.5 cu. yd. (3.36 m³) concrete.
 Section E-E to F-F= 0.10 cu. yd./ft. (0.26 m³/m) concrete.

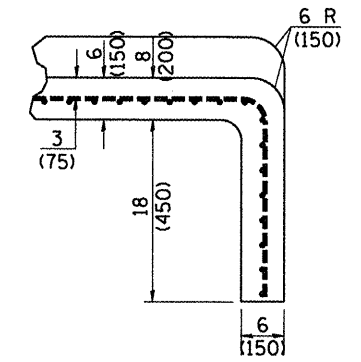
If the average grade of pavement for the distance from section A-A to section D-D exceeds 2%, this distance shall be increased 6 ft. (1.8 m) for each 1% increase in grade. A quantity adjustment is required.



SECTION D-D



SECTION F-F



SECTIONS AT END OF OUTLET (CURTAIN WALL)

QUANTITY
 Curtain Wall = 0.1 cu. yd. (0.08 m³) concrete.

| QUANTITIES | |
|-------------|-------|
| CALC. BY: | DATE: |
| CHECKED BY: | DATE: |

QUANTITY CALCULATIONS ARE ON FILE AT THE DISTRICT 4 OFFICE, BUREAU OF PROJECT IMPLEMENTATION, DOCUMENTATION SECTION

OUTLET

STATE OF ILLINOIS
 DEPARTMENT OF TRANSPORTATION

CONCRETE GUTTER, TYPE A, (SPECIAL)
 (INLET, OUTLET & ENTRANCE)

NOT TO SCALE

SHT. 2 OF 3
 CADD STD. 606101-04

All dimensions are in inches (millimeters) unless otherwise noted.

| F.A. RTE. | SECTION | COUNTY | TOTAL SHEETS | SHEET NO. |
|-----------|-------------|--------|--------------|-----------|
| 317 | 16W-1, RS-3 | FULTON | 347 | 195 |

CONTRACT NO. 88795
 FED. ROAD DIST. NO. ILLINOIS FED. AID PROJECT