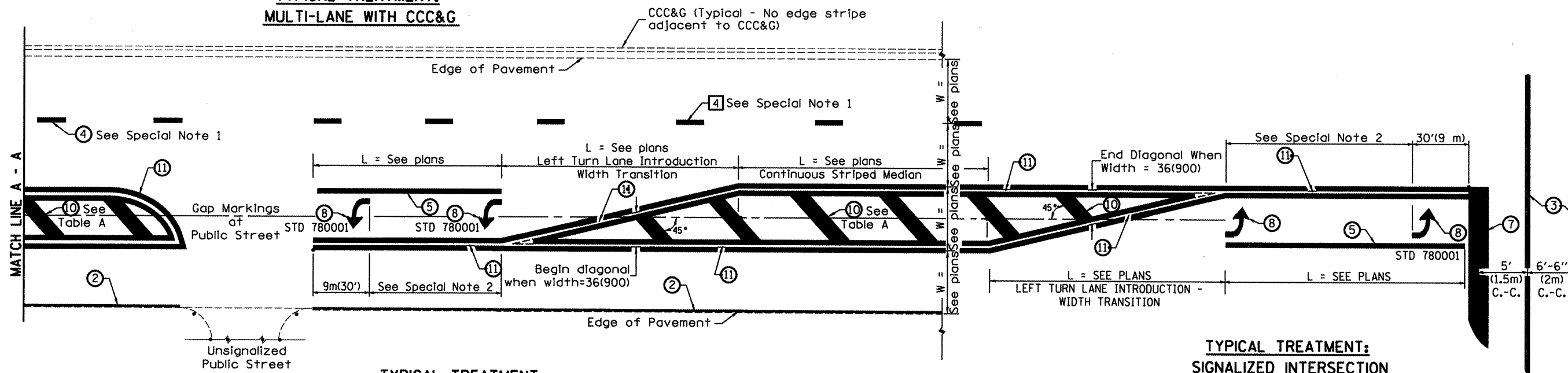


**TYPICAL TREATMENT:
MULTI-LANE WITH CCC&G**



**TYPICAL TREATMENT:
2-LANE WITH SHOULDER**

TYPICAL MEDIAN TRANSITIONS

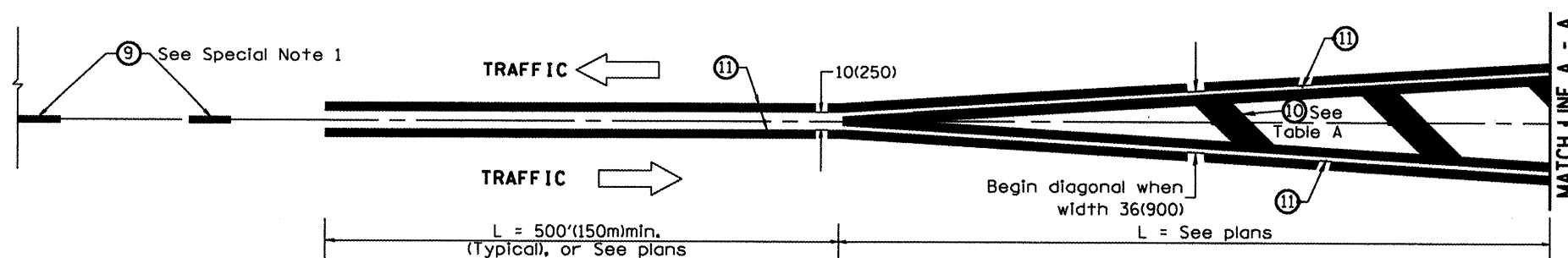
**TYPICAL TREATMENT:
SIGNALIZED INTERSECTION**

FLUSH PAVED MEDIAN: RESTRICTED LEFT TURN LANE

TABLE A

RECOMMENDED SPACING BETWEEN DIAGONAL LINES

SPEED LIMIT RANGE	CONTINUOUS	INTERSECTION CHANNELIZATION (Includes Width Transitions for Median and Left Turn Lane Introductions)	
		5' (1.5m) C.-C.	6'-6" (2m) C.-C.
Less Than 30 mph (50 km/h)	50' (15m)	15' (5m)	
30 - 45 mph (50 - 70 km/h)	75' (23m)	20' (6m)	
Over 45 mph (70 km/h)	150' (46m)	30' (9m)	



MEDIAN INTRODUCTION - WIDTH TRANSITIONS

All dimensions are in inches (millimeters) unless otherwise noted.