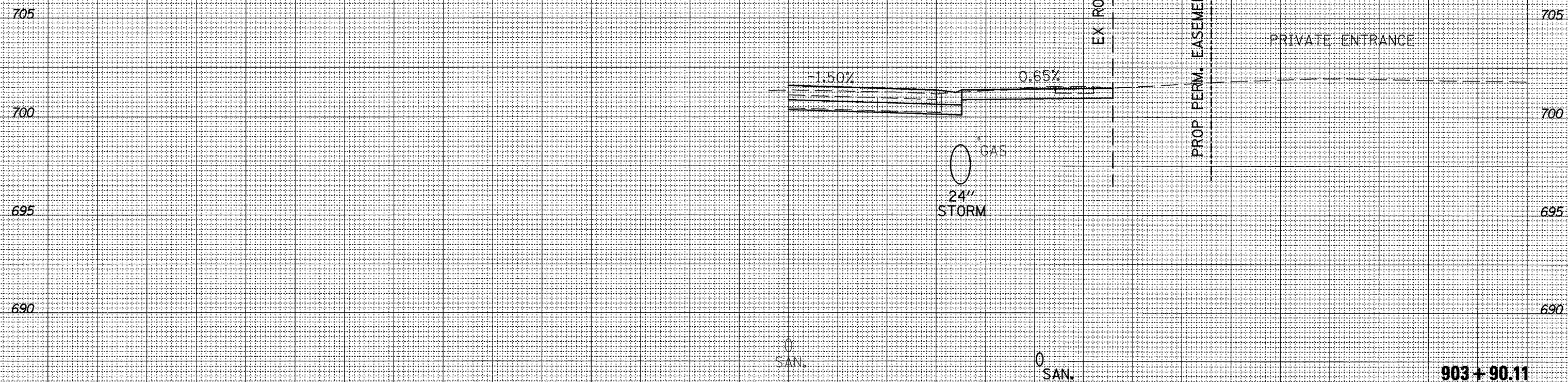


75 70 65 60 55 50 45 40 35 30 25 20 15 10 5 0 5 10 15 20 25 30 35 40 45 50 55 60 65 70 75

SURVEY NO. _____
DATE _____
DRAWN BY _____
CHECKED BY _____
DESIGNED BY _____
REVISIONS _____



SURVEY NO. _____
DATE _____
DRAWN BY _____
CHECKED BY _____
DESIGNED BY _____
REVISIONS _____

FILE NAME = xsect_sht.dgn
 USER NAME = horastk_j
 PLOT SCALE = 10.0457' / 1" IN.
 PLOT DATE = 3/21/2012

DESIGNED -	REVISIED -
DRAWN -	REVISIED -
CHECKED -	REVISIED -
DATE -	REVISIED -

**STATE OF ILLINOIS
DEPARTMENT OF TRANSPORTATION**

CROSS SECTIONS

SCALE: SHEET NO. OF SHEETS STA. 903+90.11 TO STA. 903+90.11

F.A.P. RTE. 317	SECTION 16W-1,RS-3	COUNTY FULTON	TOTAL SHEETS 347	SHEET NO. 255
CONTRACT NO. 88795			ILLINOIS FED. AID PROJECT	