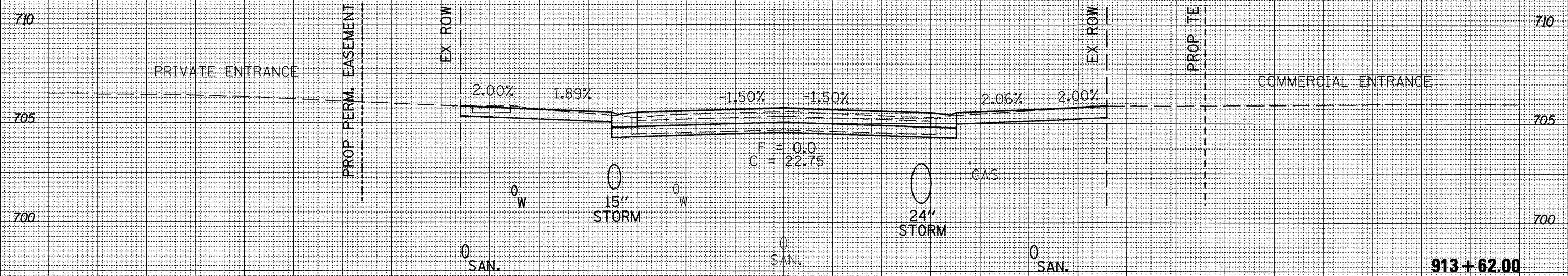
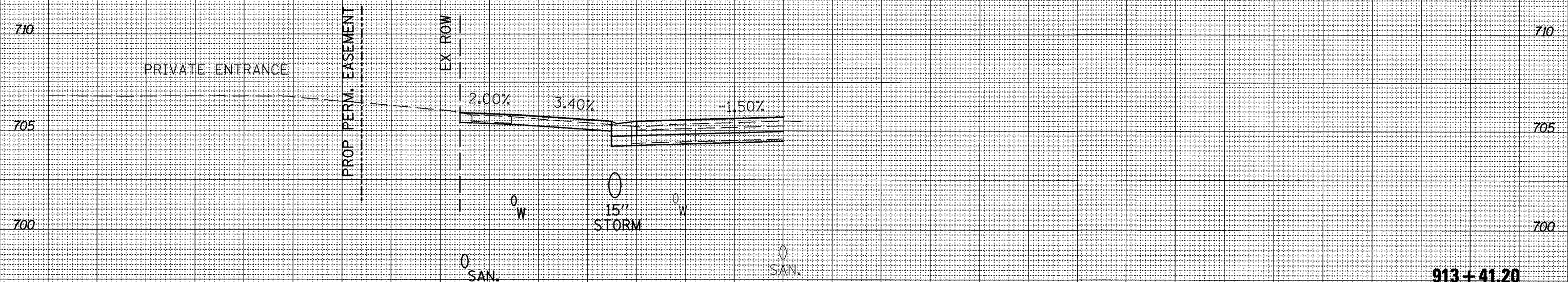


75 70 65 60 55 50 45 40 35 30 25 20 15 10 5 0 5 10 15 20 25 30 35 40 45 50 55 60 65 70 75



913+62.00



913+41.20

75 70 65 60 55 50 45 40 35 30 25 20 15 10 5 0 5 10 15 20 25 30 35 40 45 50 55 60 65 70 75

PL 161 13
NOTE BOOK TEMPLATE
AREAS CHECKED
NO.

PL 161 13
NOTE BOOK TEMPLATE
AREAS CHECKED
NO.

FILE NAME =
xsect_sht.dgn
USER NAME = horatk_j
DESIGNED -
DRAWN -
CHECKED -
DATE -
PLOT SCALE = 10.0457' / 1" =
PLOT DATE = 3/21/2012

DESIGNED -
DRAWN -
CHECKED -
DATE -
REVISED -
REVISED -
REVISED -
REVISED -

STATE OF ILLINOIS
DEPARTMENT OF TRANSPORTATION

CROSS SECTIONS
SCALE: SHEET NO. OF SHEETS STA. 913+41.20 TO STA. 913+62.00

F.A.P. RTE. 317	SECTION 16W-1,RS-3	COUNTY FULTON	TOTAL SHEETS 341	SHEET NO. 272
CONTRACT NO. 88795			ILLINOIS FED. AID PROJECT	