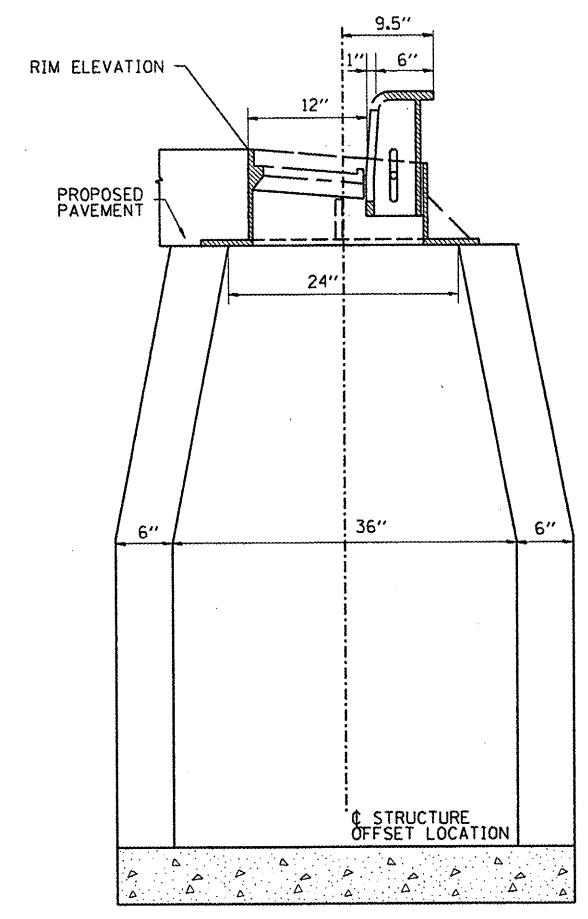
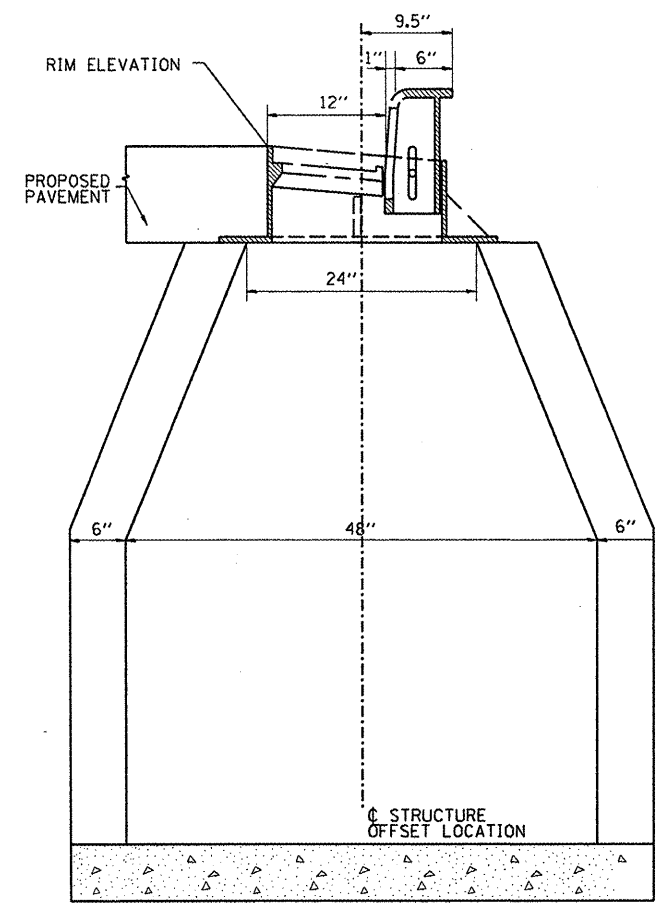


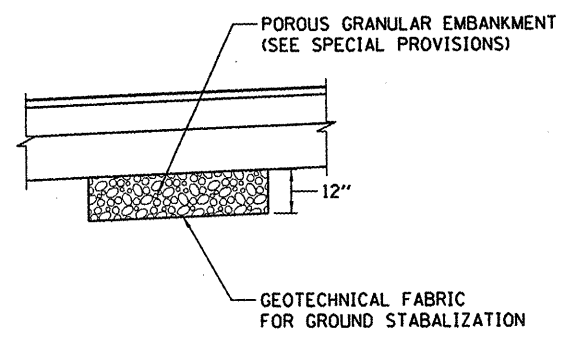
INLET, TYPE A



INLET, TYPE B

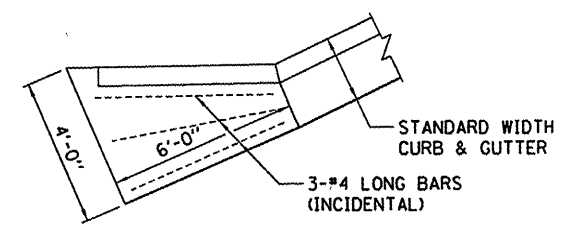
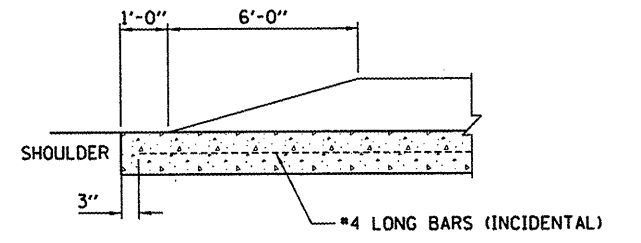


MANHOLE, TYPE A



NOTE: UNDERCUT OF MATERIAL TO BE PAID FOR AS REMOVAL AND DISPOSAL OF UNSUITABLE MATERIAL.

UNSUITABLE MATERIAL UNDERCUT DETAIL



COMBINATION CURB & GUTTER OUTLET, (SPECIAL)

© Hanson Professional Services Inc. 2012
HANSON
Hanson Professional Services Inc.

FILE NAME =	USER NAME = dws000078	DESIGNED - DLC	REVISED -
I:\09Jobs\09L0027A\CADD\Road\Sheet\c-53det.dgn		DRAWN - DLC	REVISED -
PLOT SCALE = 10.0000 / 1"		CHECKED - MGD	REVISED -
PLOT DATE = 04/02/2012		DATE - 03/27/12	REVISED -

**STATE OF ILLINOIS
DEPARTMENT OF TRANSPORTATION**

NORTHMOOR ROAD STAGE 2 IMPROVEMENT MISCELLANEOUS DETAILS			
SCALE: N.T.S.	SHEET NO. OF SHEETS	STA.	TO STA.

F.A.U. RTE.	SECTION	COUNTY	TOTAL SHEETS	SHEET NO.
6647	05-00302-01-PV	PEORIA	125	77
11-00047-03-PV		CONTRACT NO. 89525		
FED. ROAD DIST. NO.		ILLINOIS FED. AID PROJECT		M-50931(37)