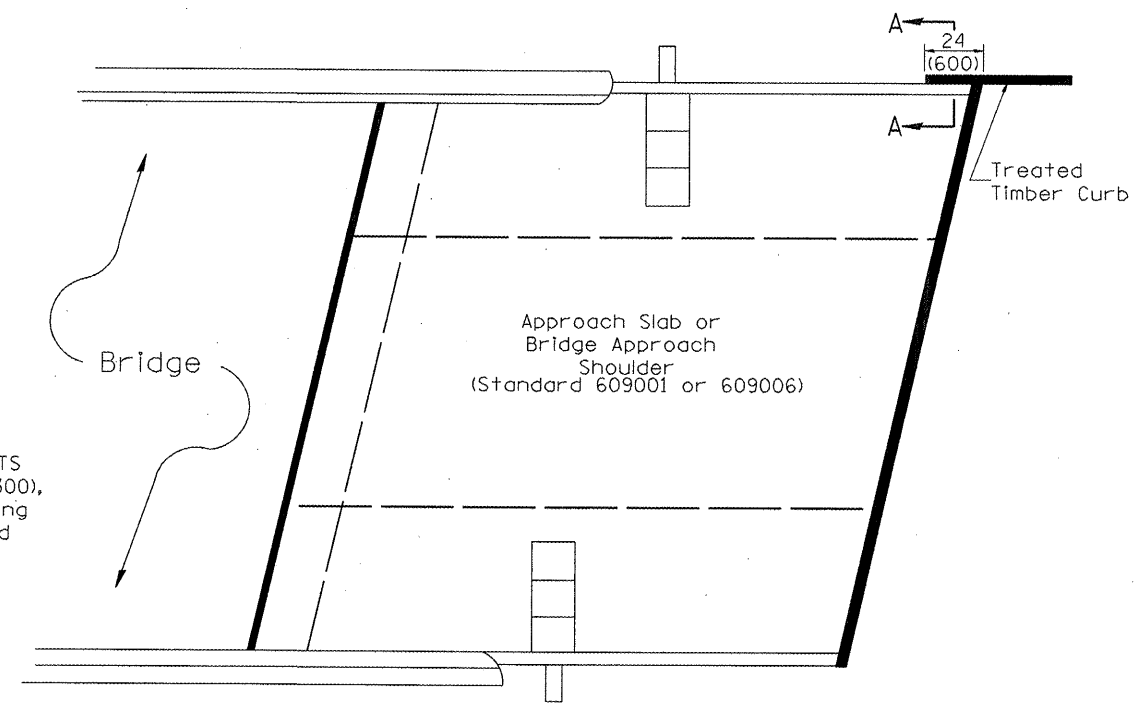


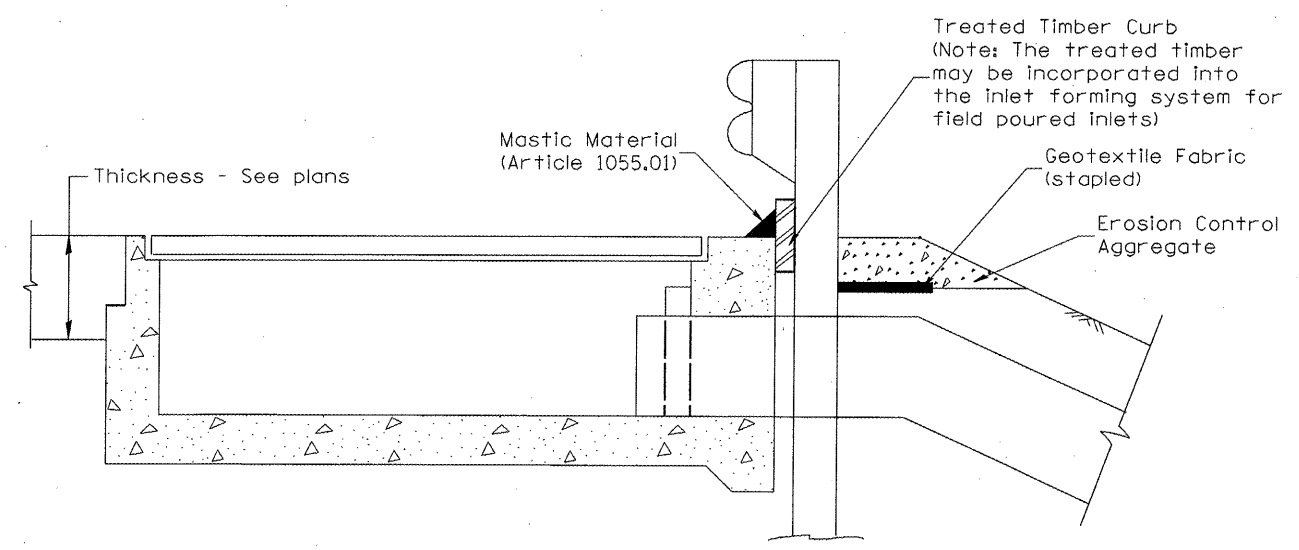
SPLICE LOCATED AT GUARDRAIL POST
 1/2(M12) galvanized U-bolt with
 nut & washer

SPLICE LOCATED BETWEEN GUARDRAIL POSTS
 treated timber splice plate 2x12 (50x300),
 actual size 1 1/2x1 1/2 (40x290), 24(600) long
 with 8 evenly spaced 1/2(M12) galvanized
 bolts with nuts & washers.

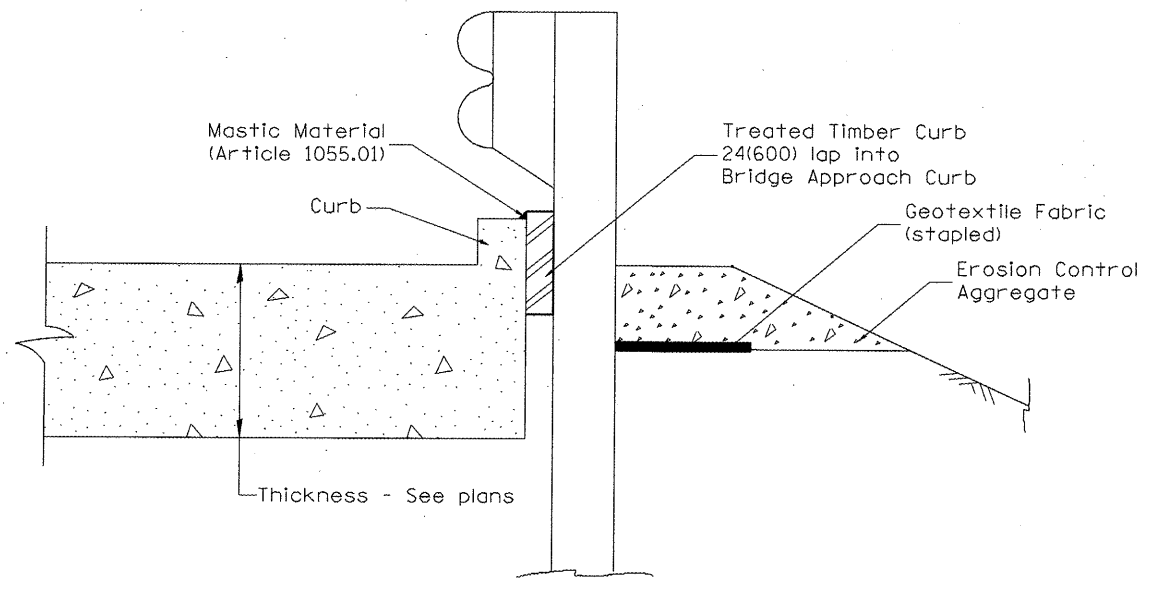
DETAIL A
 (Typical Treated Timber Splices)



PLAN VIEW
 APPROACH SLAB OR BRIDGE APPROACH SHOULDER
 (STANDARD 609001 or 609006)



**TYPICAL SECTION WITH EROSION CONTROL CURB
 AT INLETS TYPE E & F (STANDARD 610001)**



SECTION A-A
 TYPICAL SECTION WITH EROSION CONTROL CURB
 AT BRIDGE APPROACH CURB
 (STANDARD 609001 OR 609006)

All dimensions are in inches (millimeters)
 unless otherwise noted.

STATE OF ILLINOIS DEPARTMENT OF TRANSPORTATION				GUARDRAIL EROSION CONTROL TREATMENTS			
		NOT TO SCALE		SHT. 2 OF 2 CAOD STD. 630101-D4			
F.A.U. RTE.	SECTION	COUNTY	TOTAL SHEETS	SHEET NO.			
6768	10-00169-00-RP	TAZEWELL	98	56	CONTRACT NO. 89588		
FED. ROAD DIST. NO.			ILLINOIS FED. AID PROJECT				