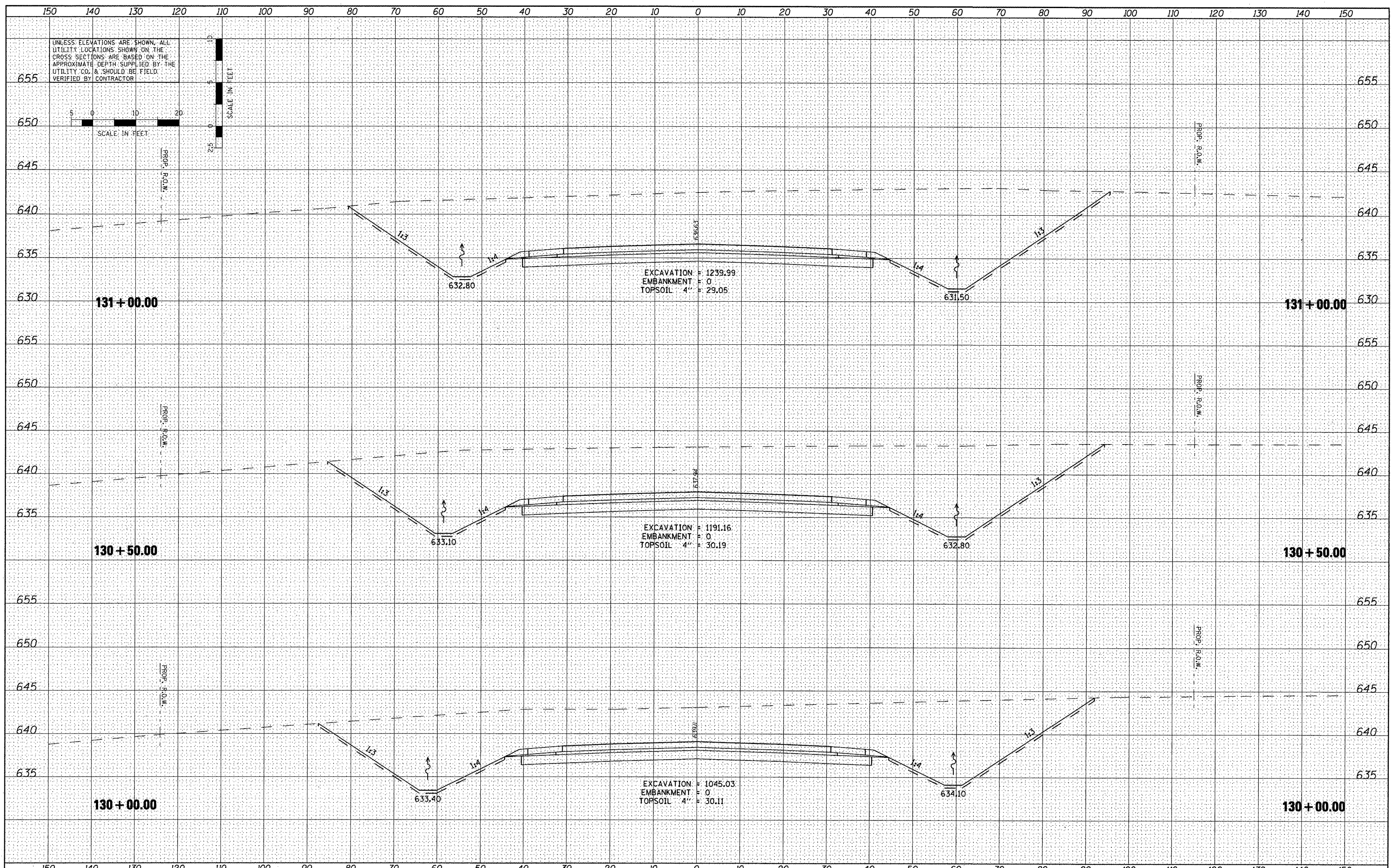


DATE	
BY	
FINAL SURVEY	
NOTED	
NO. CHECKED	

DATE	
BY	
ORIGINAL SURVEY	
NOTED	
NO. CHECKED	



FILE NAME = x:\projects\200805025\dgn\X5-2012-Sheets.dgn	USER NAME = IDDT	DESIGNED REW/KRS	REVISED -	STATE OF ILLINOIS DEPARTMENT OF TRANSPORTATION	CROSS SECTIONS VETERANS DRIVE	F.A.U. RTE. 6768	SECTION 10-00169-00-RP	COUNTY TAZEWELL	TOTAL SHEETS 98	SHEET NO. 84	
PLOT SCALE = 20.0000' / IN.	CHECKED KMC	DATE 3-21-12	REVISED -			SCALE:	SHEET NO. OF SHEETS STA. TO STA.	CONTRACT NO. 89588			
PLOT DATE = 4/12/2012			REVISED -			ILLINOIS FED. AID PROJECT					