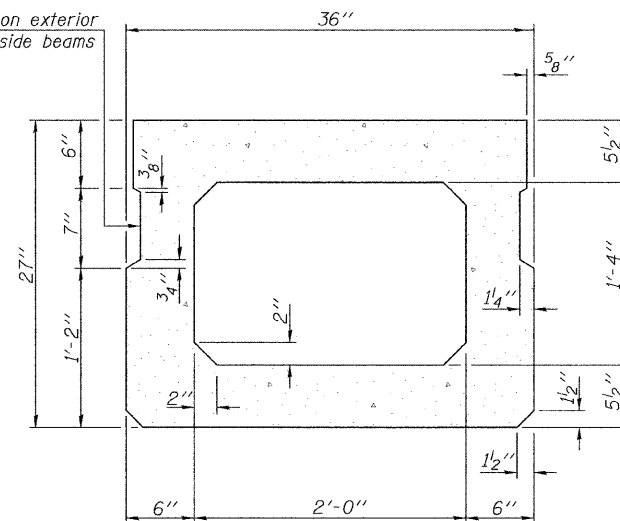
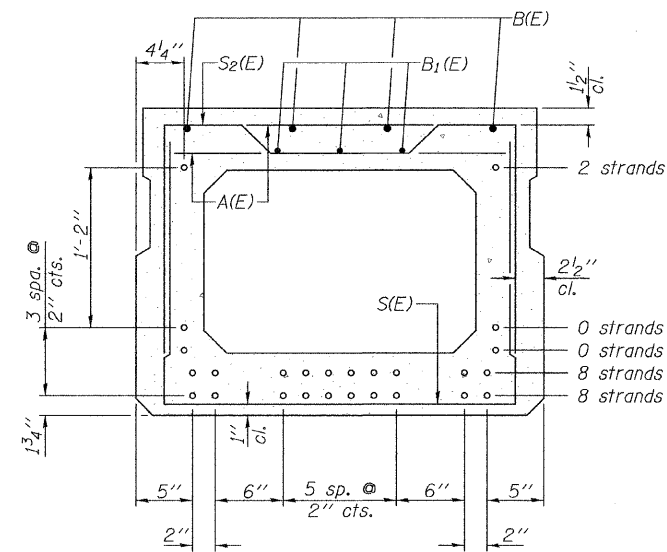


SECTION A-A

* Omit key on exterior face of outside beams

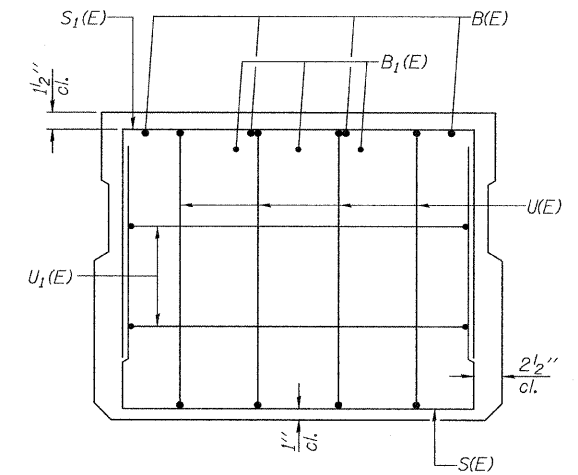


SECTION B-B
(Showing dimensions)



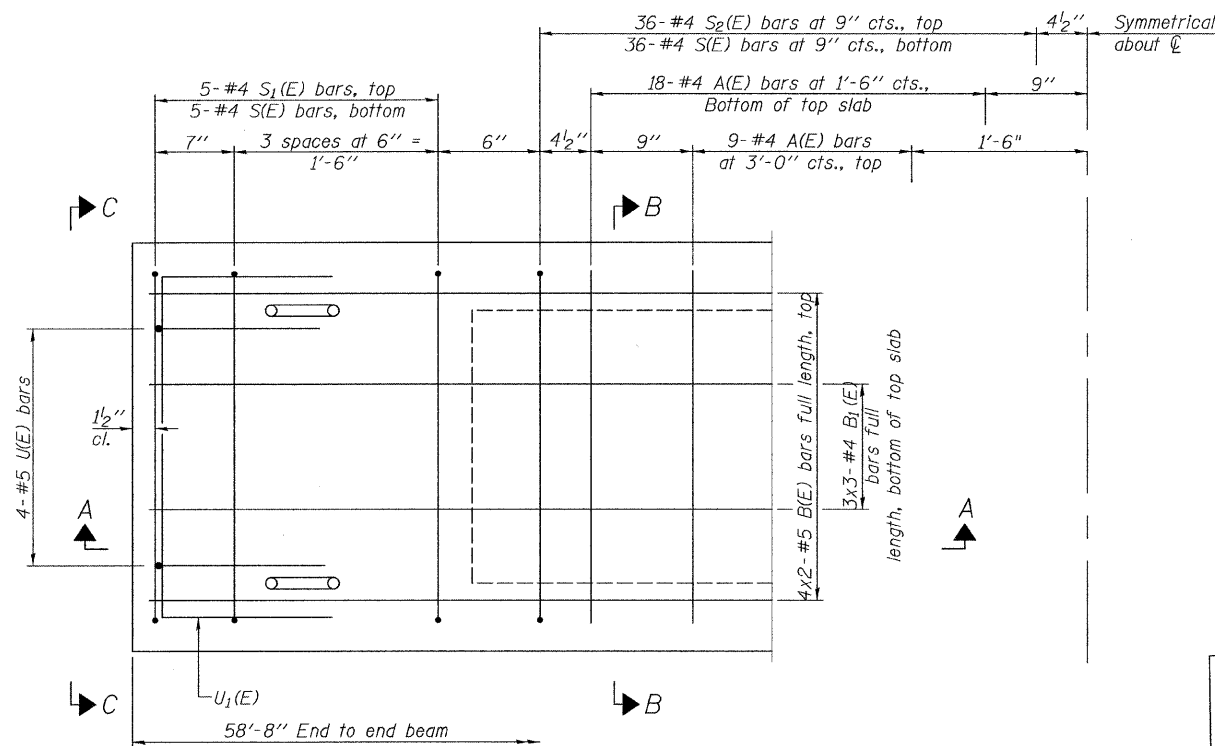
SECTION B-B

(Showing reinforcement and permissible strand locations)
Note: Place the number of strands specified in each row symmetrically about the centerline of beam in the permissible strand locations shown.

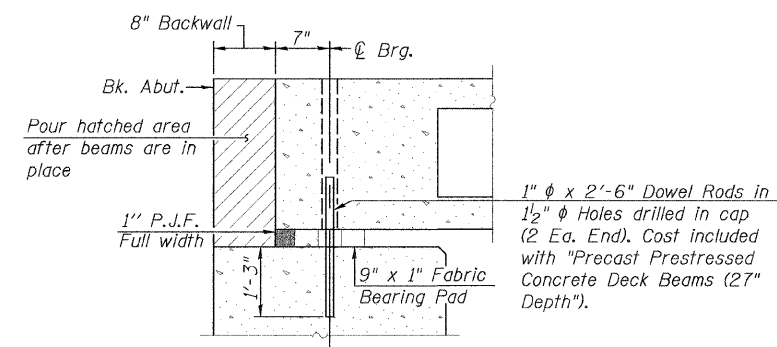


VIEW C-C

* Roll post anchors (Sht. 8) to be cast into exterior face of outside beams.



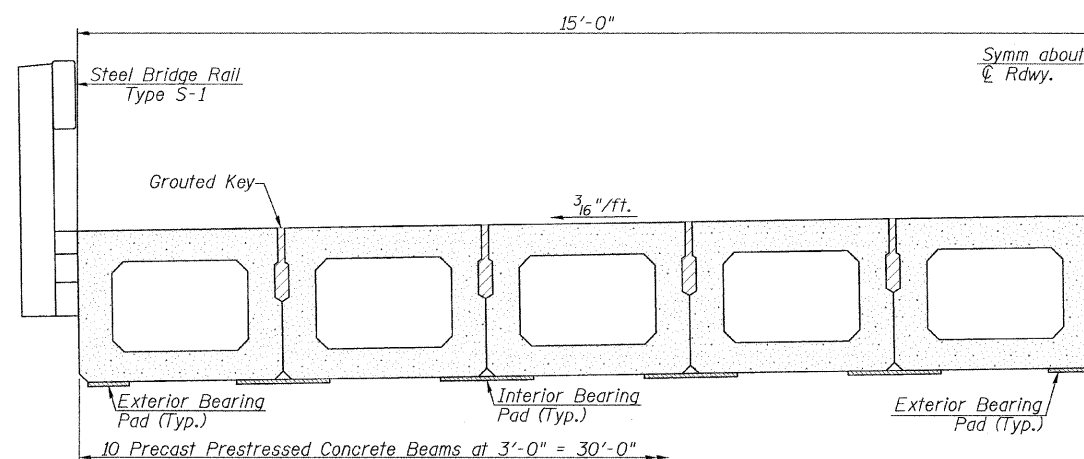
PLAN VIEW



SECTION THRU ABUTMENT
(At Right Angles)

MINIMUM BAR LAP
#4 bar = 2'-0"
#5 bar = 2'-6"

Note: Spacing of S(E) and S2(E) bars may be adjusted up to 4" in the immediate area of the transverse tie diaphragms to miss the block outs for the transverse ties.



HALF CROSS SECTION

BAR LIST
ONE BEAM ONLY
(For information only)

| Bar | No. | Size | Length | Shape |
|-------|-----|------|---------|-------|
| A(E) | 54 | #4 | 2'-7" | — |
| B(E) | 8 | #5 | 30'-6" | — |
| B1(E) | 9 | #4 | 20'-10" | — |
| S(E) | 82 | #4 | 6'-5" | U |
| S1(E) | 10 | #4 | 5'-11" | U |
| S2(E) | 72 | #4 | 6'-2" | U |
| U(E) | 8 | #5 | 4'-6" | C |
| U1(E) | 4 | #4 | 5'-0" | C |

Note: See sheet 7 of 15 for additional details and Bill of Material. Reinforcement designated (E) to be epoxy coated.

PD-2736-0

7-1-10

| | | | |
|-------------|-------------|------------|-----------|
| FILE NAME = | USER NAME = | DESIGNED - | REVISED - |
| | | CHECKED - | REVISED - |
| | | DRAWN - | REVISED - |
| | | CHECKED - | REVISED - |



Allen Henderson & Associates, Inc.
Civil and Structural Engineers Springfield, IL
62703 Phone: (217)544-8033 IL Design Firm
No. 184-001907

27" x 36" PPC DECK BEAM
STRUCTURE NO. 065-3125

SHEET NO. 2 OF 6 SHEETS

| C.H. RTE. | SECTION | COUNTY | TOTAL SHEETS | SHEET NO. |
|---------------------------|----------------|--------|--------------|-----------|
| 1 | 10-00060-00-BR | MENARD | 15 | 6 |
| CONTRACT NO. 93561 | | | | |
| ILLINOIS FED. AID PROJECT | | | | |