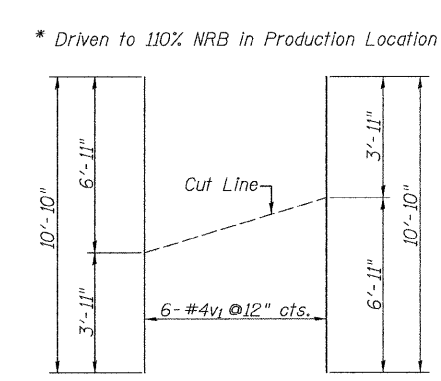


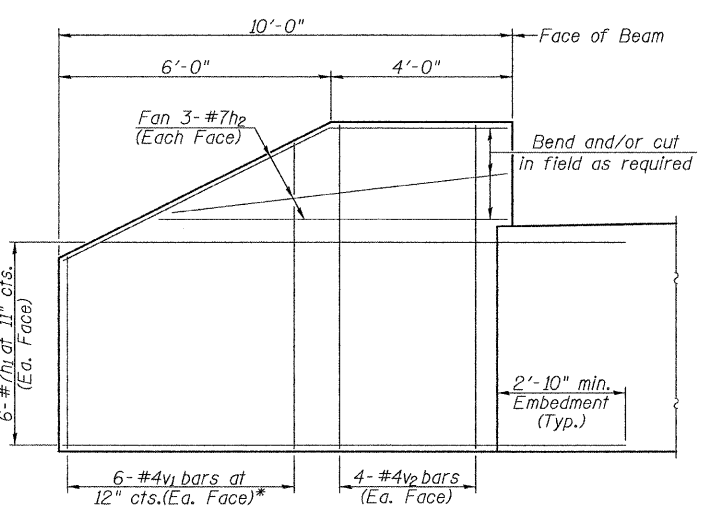
PILE DATA

	W. Abut.	E. Abut.
Type:	Steel HP10X42	Steel HP10X42
Nominal Required Bearing:	335 K	335 K
Factored Resistance Available:	184 K	184 K
Estimated Pile Length:	66'	59'
Number of Production:	4	4
Number of Test Piles:	1*	1*

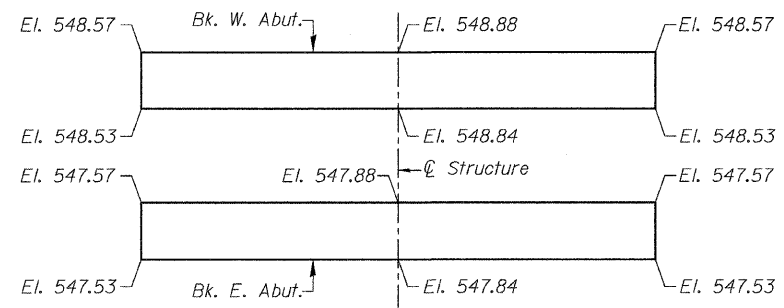
* Driven to 110% NRB in Production Location



v1 - BAR CUT DIAGRAM
Order v1 bars full length. Layout in field according to diagram. Cut v1 bars along cut line. Use remainder of each bar in opposite face.



WINGWALL ELEVATION
(Showing Reinforcement)
* See v1 bar cut diagram



BEARING SEAT DIAGRAM

NOTES

All exposed edges shall have standard 3/4" chamfer.
Space reinforcement in cap to miss beam anchor dowels.
Wingwalls and Backwalls may, at the contractor's option, be cast monolithically.
Hatched area and wingwalls shall be poured after deck beams are anchored in place.

BILL OF MATERIAL
TWO ABUTMENTS

BAR	NO.	SIZE	LENGTH	SHAPE
h	12	#4	34'-0"	—
h1	48	#7	12'-6"	—
h2	24	#7	10'-4"	—
p	16	#7	30'-4"	—
p1	16	#5	30'-4"	—
s	60	#5	14'-5"	□
u	24	#6	10'-1"	□
v	124	#4	3'-6"	—
v1	24	#4	10'-10"	—
v2	32	#4	6'-11"	—
Concrete Structures			Cu. Yd.	41.9
Reinforcement Bars			Pound	5385
Structure Excavation			Cu. Yd.	200
Furnishing Steel Piles HP10X42			Foot	500
Driving Piles			Foot	500
Test Pile Steel HP10X42			Each	2

FILE NAME =	USER NAME =	DESIGNED -	REVISED -
		CHECKED -	REVISED -
		DRAWN -	REVISED -
		CHECKED -	REVISED -

Allen Henderson & Associates, Inc.
Civil and Structural Engineers Springfield, IL.
62703 Phone: (217)544-8033 IL Design Firm
No. 184-001907

ABUTMENTS
STRUCTURE NO. 065-3127
SHEET NO. 5 OF 6 SHEETS

C.H. RTE.	SECTION	COUNTY	TOTAL SHEETS	SHEET NO.
1	11-00063-00-BR	MENARD	15	10
				CONTRACT NO. 93573
ILLINOIS FED. AID PROJECT				