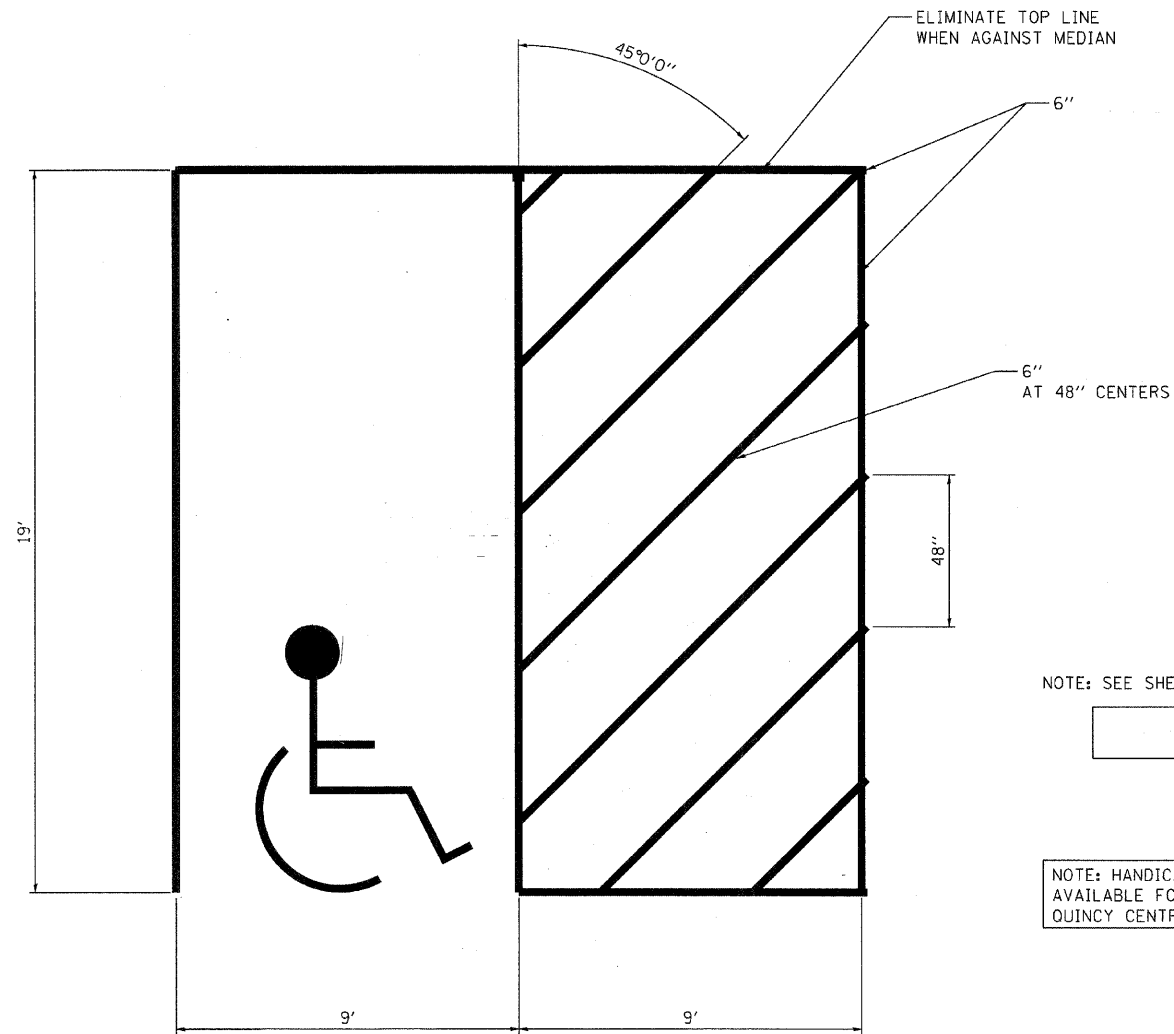


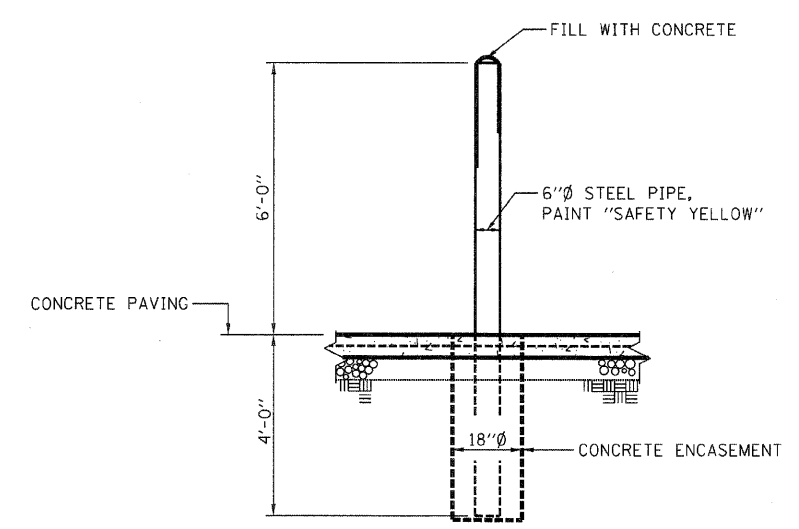
**HANDICAP PARKING SPACE
PAVEMENT MARKING DETAIL**

SCALE: 1" = 5'



NOTE: SEE SHEET 27 FOR PAY ITEMS.

NOTE: HANDICAP SYMBOLE TEMPLATE AVAILABLE FOR LOAN FROM CITY OF QUINCY CENTRAL SERVICES.



GUARD POST, DETAIL A4-1
NOT TO SCALE

FILE NAME = DBXXXX-sht-39-Details	USER NAME = MDL	DESIGNED - _____	REVISED - _____
		DRAWN - _____	REVISED - _____
	PLOT SCALE = AS-NOTED	CHECKED - _____	REVISED - _____
	PLOT DATE = \$DATE\$	DATE - _____	REVISED - _____

**STATE OF ILLINOIS
DEPARTMENT OF TRANSPORTATION**

DETAILS	
SCALE: AS-NOTED	SHEET NO. 6 OF 7 SHEETS

F.A.P. RTE.	SECTION	COUNTY	TOTAL SHEETS	SHEET NO.
63	09-00309-00-LS	ADAMS	39	39
CONTRACT NO. 93578				
ILLINOIS FED. AID PROJECT				