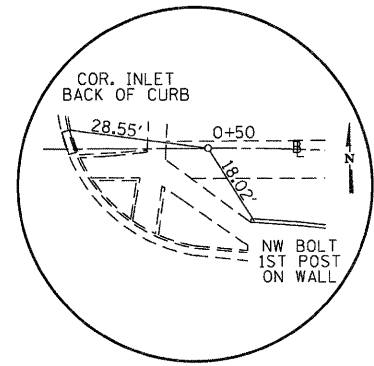
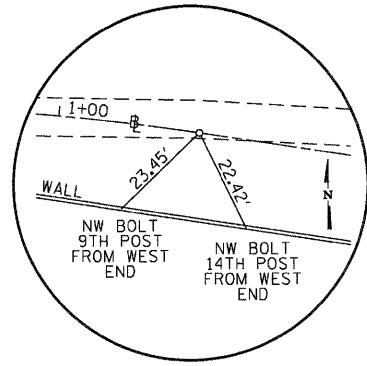


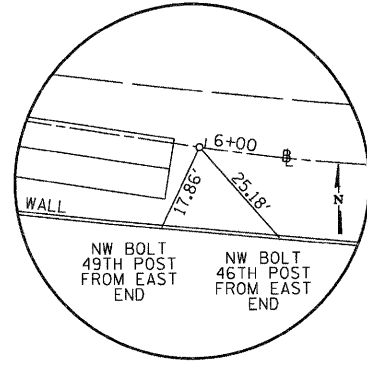
POT STA. 0+00.00
MAG NAIL



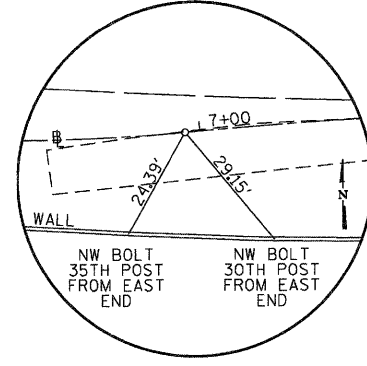
PC STA. 0+50.00
IRON PIN/CAP



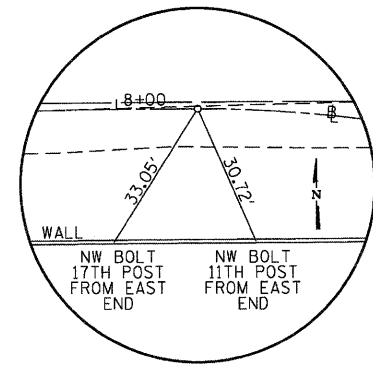
PT STA. 1+29.97
IRON PIN/CAP



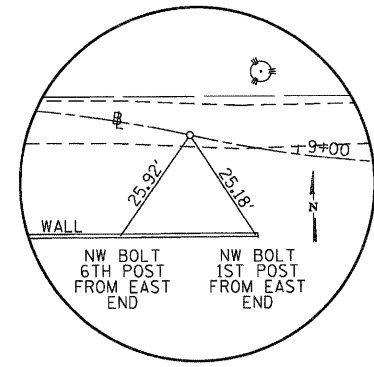
PC STA. 5+98.86
IRON PIN/CAP



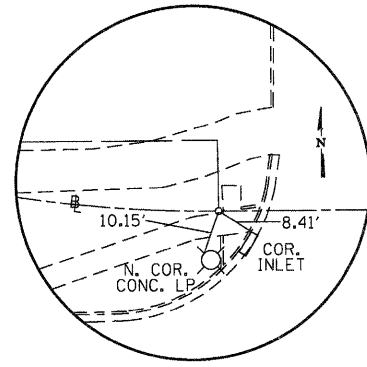
PRC STA. 6+96.88
IRON PIN/CAP



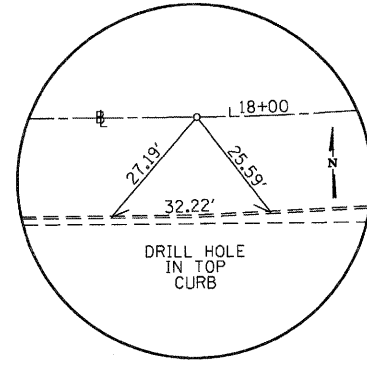
PCC STA. 8+17.19
IRON PIN/CAP



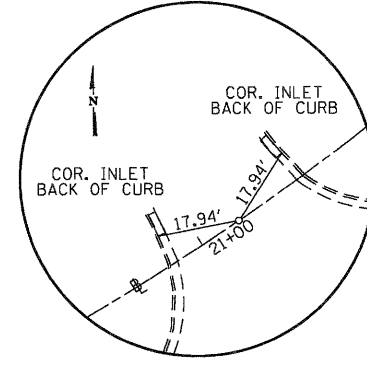
PRC STA. 8+76.93
IRON PIN/CAP



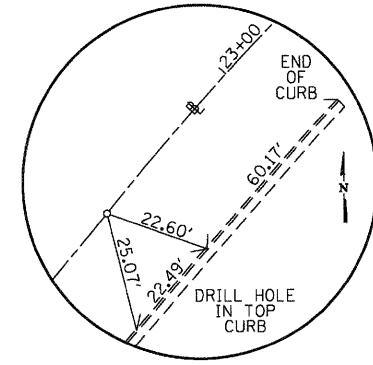
PT STA. 9+38.87
IRON PIPE



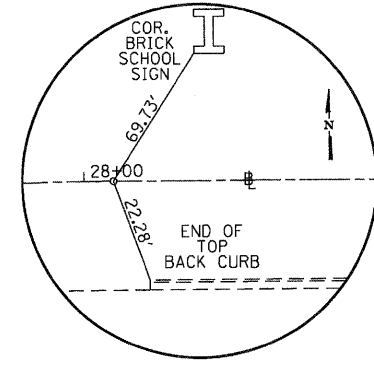
PC STA. 17+92.98
IRON PIPE



PC STA. 21+09.30
MAG NAIL



PRC STA. 22+61.25
IRON PIPE



PT STA. 28+06.20
IRON PIPE

GREENE & BRADFORD, INC.
OF SHERIDAN



FILE NAME = J:\10001.22\CADD\CADD Sheets\sh-ATB.dgn
USER NAME = amandah
PLOT SCALE = 40.0000' / in.
PLOT DATE = 4/6/2012
G&B PROJECT: 10001.22
PLOT DRIVER = *PLOTTER*

DESIGNED - WCB
DRAWN - AJH
CHECKED - GSK
DATE - 4/2/2012

REVISED -
REVISED -
REVISED -
REVISED -

**PLUMMER BLVD MULTI-USE TRAIL
VILLAGE OF CHATHAM**

ALIGNMENT TIES

SCALE: NTS SHEET NO. 1 OF 1 SHEETS STA. TO STA.

F.A. RTE.	SECTION	COUNTY	TOTAL SHEETS	SHEET NO.
•	10-00030-00-BT	SANGAMON	29	6
• PLUMMER BLVD MULTI-USE TRAIL			CONTRACT NO. 93579	
FED. ROAD DIST. NO. [ILLINOIS] FED. AID PROJECT TE-0006 (109)				