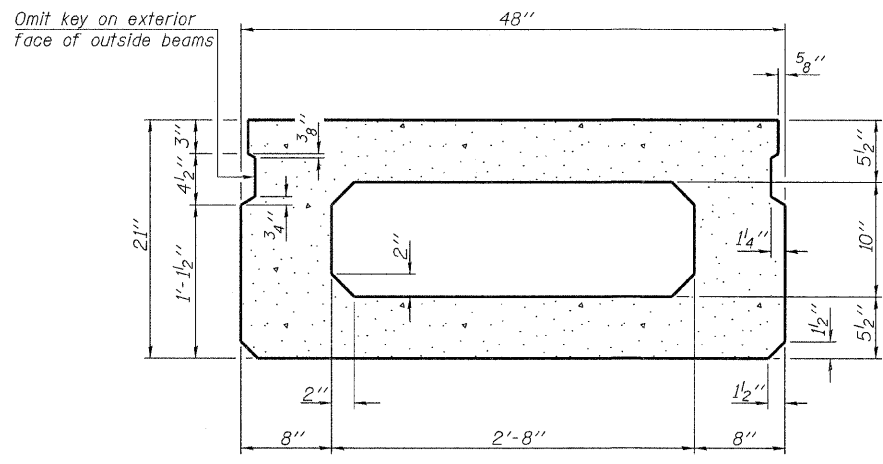
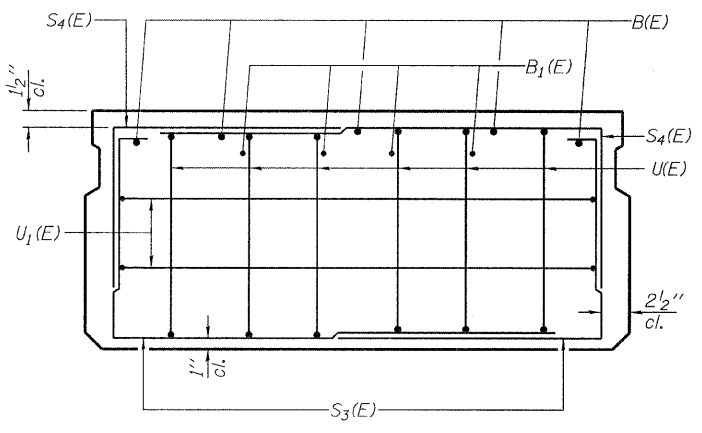


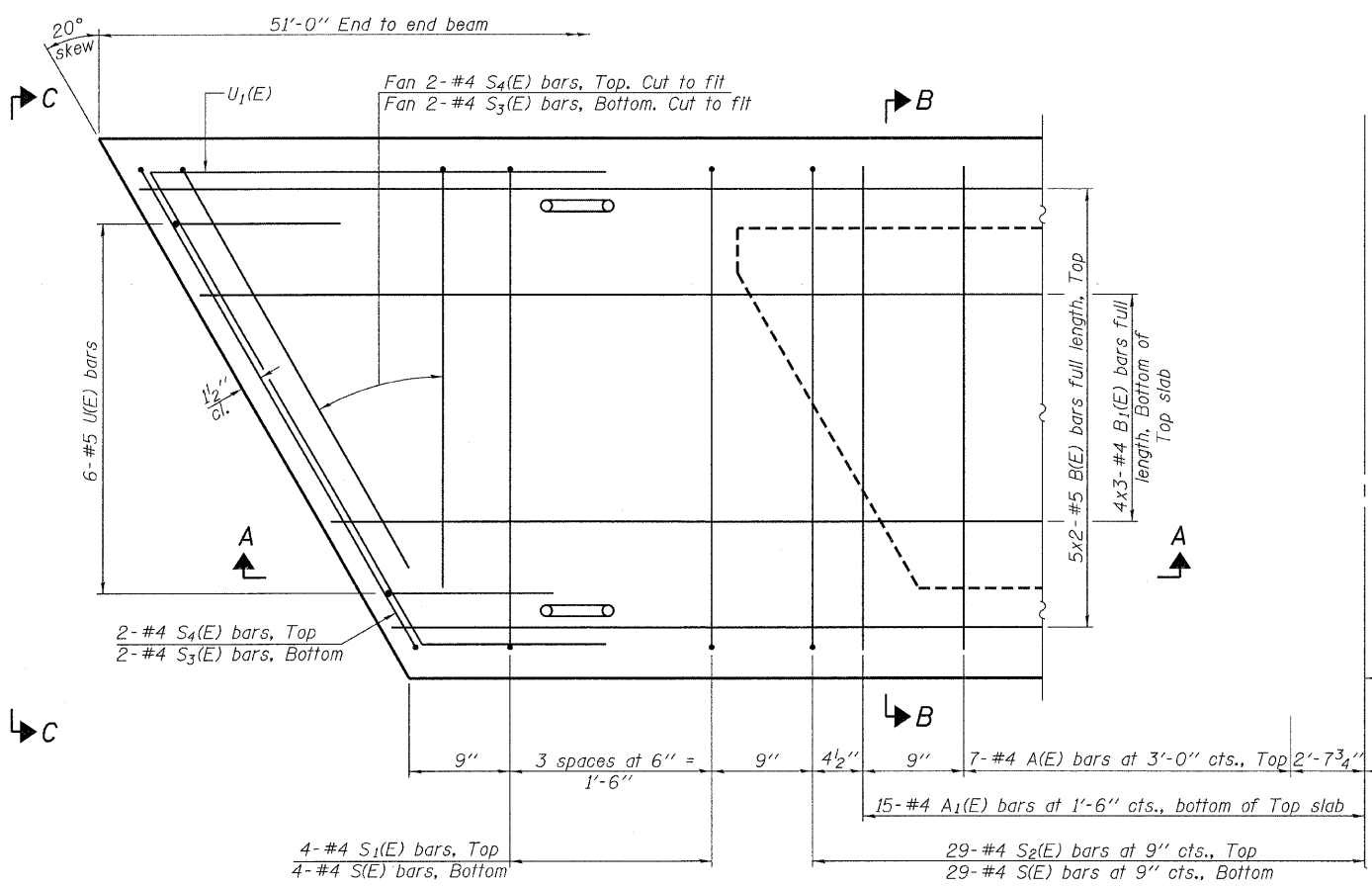
SECTION A-A



SECTION B-B
(Showing dimensions)

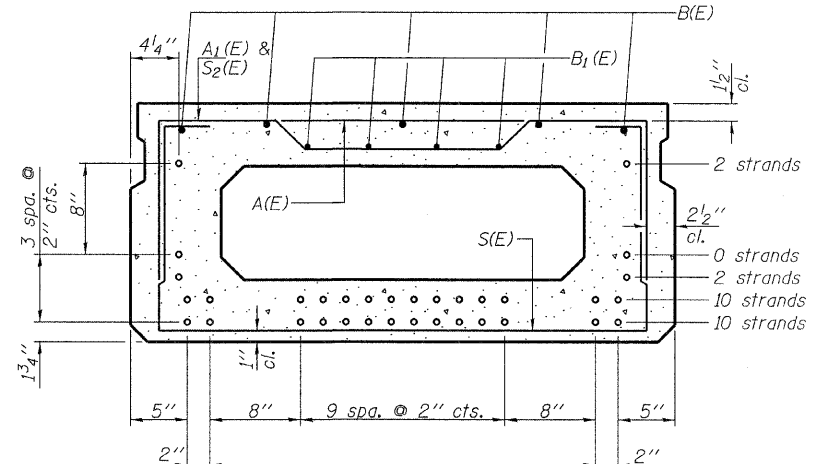


VIEW C-C



PLAN VIEW

Notes:
Spacing of S(E) and S2(E) bars may be adjusted up to 4" in the immediate area of the transverse tie diaphragms to miss the block outs for the transverse ties.
Bars indicated thus 4x2-#5 etc. indicates 4 lines of bars with 2 lengths per line.



SECTION B-B

(Showing reinforcement and permissible strand locations)
Note: Place the number of strands specified in each row symmetrically about the centerline of beam in the permissible strand locations shown.

BAR LIST
ONE BEAM ONLY
(For information only)

Bar	No.	Size	Length	Shape
A(E)	15	#4	3'-7"	—
A1(E)	30	#4	3'-10"	—
B(E)	10	#5	26'-7"	—
B1(E)	12	#4	18'-3"	—
S(E)	66	#4	7'-5"	U
S1(E)	8	#4	5'-11"	U
S2(E)	58	#4	6'-2"	U
S3(E)	8	#4	4'-9"	U
S4(E)	8	#4	4'-0"	U
U(E)	12	#5	4'-0"	U
U1(E)	4	#4	7'-6"	U

Note: See sheet 4 & 5 of For additional details and Bill of Material.

MINIMUM BAR LAP
#4 bar = 2'-0"
#5 bar = 2'-6"

PD-2148-R 7-1-10

FILE NAME = 112175-sht-bridge.dgn	USER NAME =	DESIGNED - J.W.F.	REVISED -
HAMPTON, LENZINI AND RENWICK, INC.		CHECKED - S.W.M.	REVISED -
3685 STEVENSON DRIVE, SUITE 201 SPRINGFIELD, ILL. 62765	PLOT SCALE =	DRAWN - D.T.M.	REVISED -
ILLINOIS PROFESSIONAL DESIGN FIRM LS / PE / SE CORP. 154-000859	PLOT DATE = 3/7/2012	CHECKED - S.W.M.	REVISED -

STATE OF ILLINOIS
CLAY COUNTY HIGHWAY DEPARTMENT

21" x 48" PPC DECK BEAM
STRUCTURE NO. 013-3238
SHEET NO. 3 OF 11 SHEETS

T.R.	SECTION	COUNTY	TOTAL SHEETS	SHEET NO.
355	07-11130-00-BR	CLAY	29	21
STANFORD ROAD DISTRICT		CONTRACT NO. 95667		
ILLINOIS FED. AID PROJECT BROS-002107D				