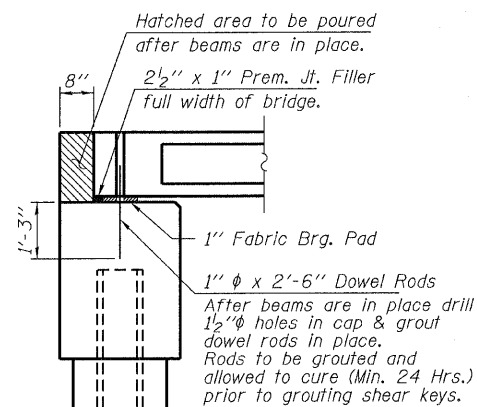
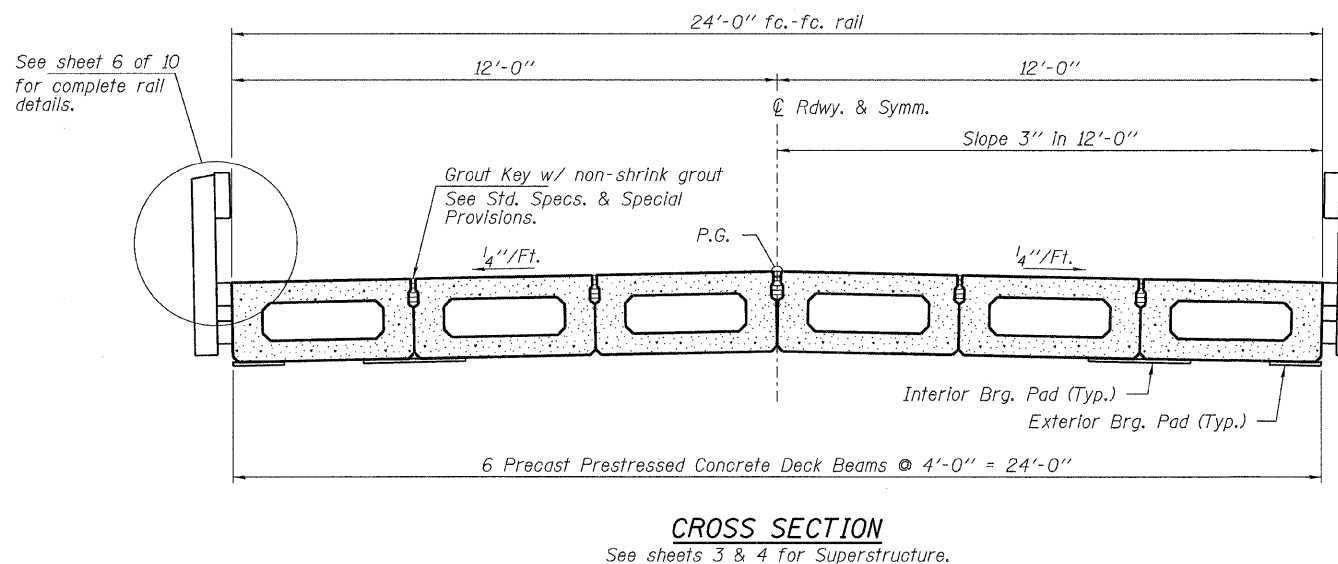


**DETAIL A**



**SECTION AT ABUTMENTS**

© Rt. L's

FILE NAME = 110175-sht-bridge.dgn	USER NAME =	DESIGNED - J.W.F.	REVISED -	<b>STATE OF ILLINOIS</b> <b>CLAY COUNTY HIGHWAY DEPARTMENT</b>	<b>SUPERSTRUCTURE DETAILS</b> <b>STRUCTURE NO. 013-3238</b>	T.R.	SECTION	COUNTY	TOTAL SHEETS	SHEET NO.
<b>HAMPTON, LENZINI AND RENWICK, INC.</b> <small>3443 STEVENSON DRIVE, SUITE 201 SPRINGFIELD, ILLINOIS 62703</small>		CHECKED - S.W.M.	REVISED -			355	07-11130-00-BR	CLAY	29	23
<b>HLR</b> <small>ILLINOIS PROFESSIONAL DESIGN FIRM LS / PE / SE CORP. 184-020959</small>	PLOT SCALE =	DRAWN - D.T.M.	REVISED -			STANFORD ROAD DISTRICT		CONTRACT NO. 95667		
	PLOT DATE = 3/7/2012	CHECKED - S.W.M.	REVISED -			SHEET NO. 5 OF 11 SHEETS		ILLINOIS FED. AID PROJECT BR05-0025107D		