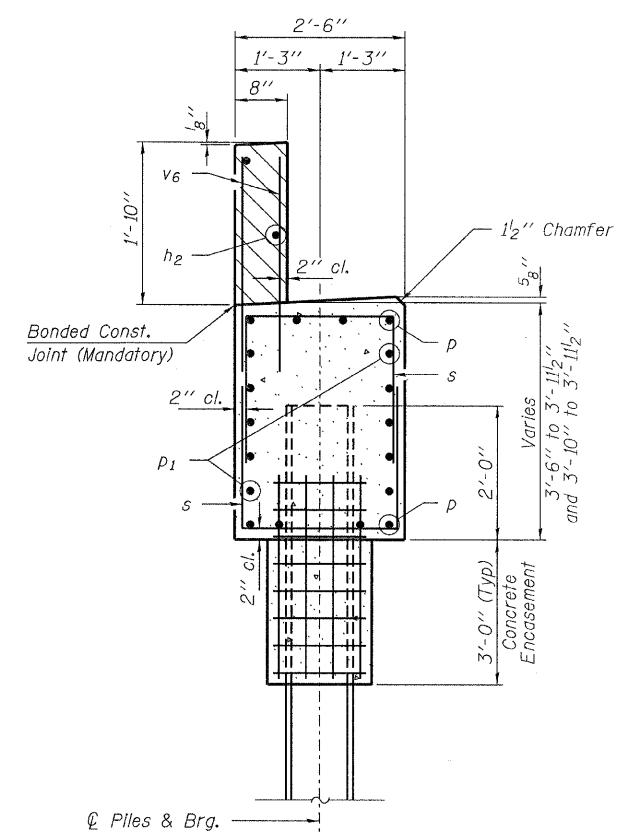


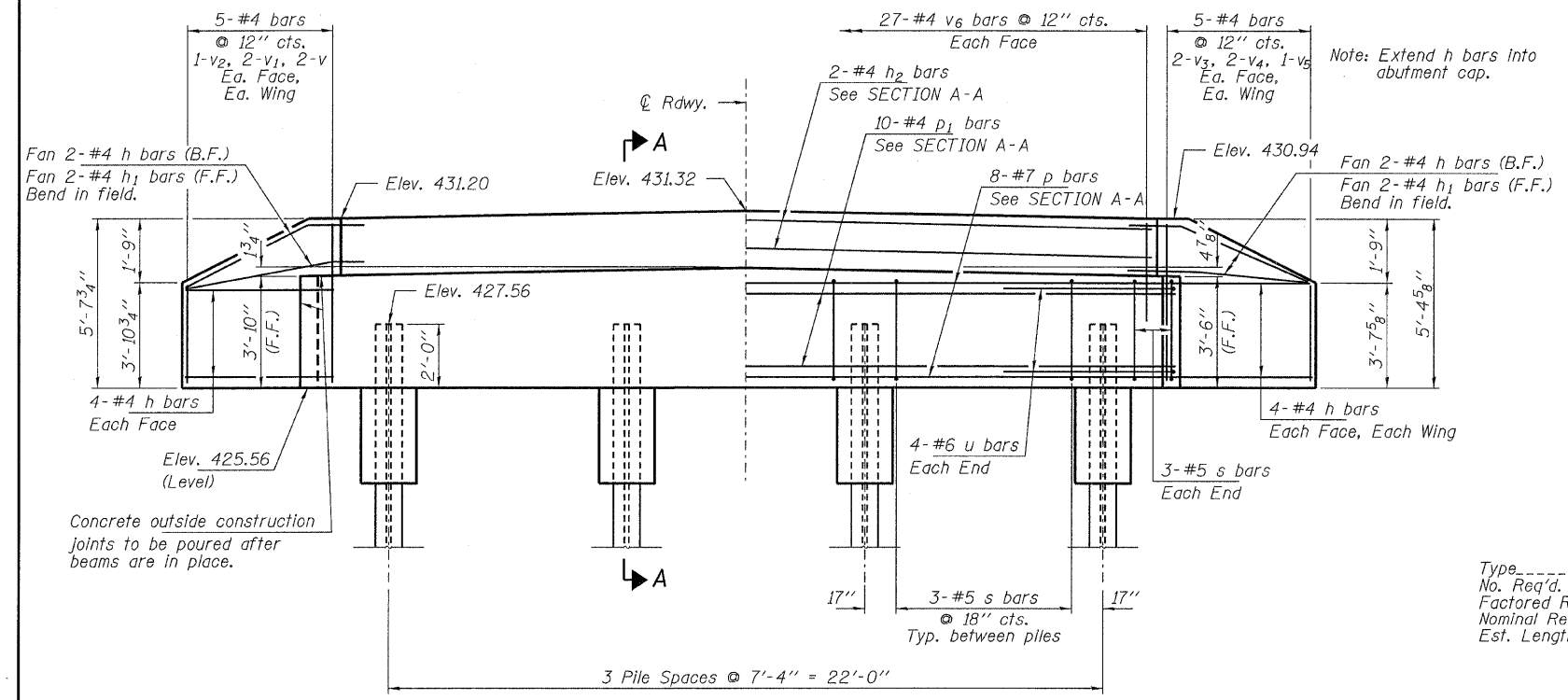
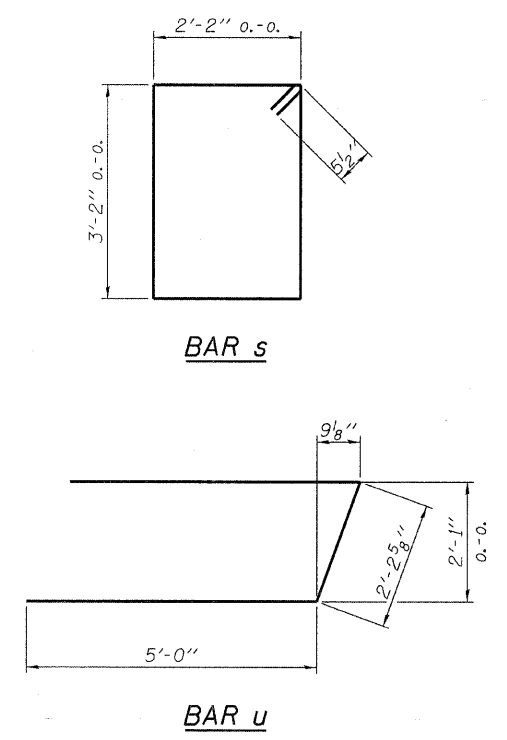
PLAN

Note: Elevations in PLAN view are to top of concrete.



SECTION A-A

Hatched area to be poured after beams are in place.



ELEVATION
(Looking East)

PILE DATA

Type: Steel HP10x42
 No. Req'd. (E. Abut.): 4
 Factored Resistance Available (Rf): 184 Kips/Pile
 Nominal Required Bearing (Rn): 335 Kips/Pile
 Est. Length: 50 Ft/Pile

BILL OF MATERIAL - E. ABUT.

BAR	NO.	SIZE	LENGTH	SHAPE
h	20	#4	6'-0"	—
h1	4	#4	4'-6"	—
h2	2	#4	26'-10"	—
p	8	#7	26'-10"	—
p1	10	#4	26'-10"	—
s	15	#5	11'-7"	□
u	8	#6	12'-3"	U
v	4	#4	5'-1"	—
v1	4	#4	4'-1"	—
v2	2	#4	3'-7"	—
v3	4	#4	4'-10"	—
v4	4	#4	3'-10"	—
v5	2	#4	3'-4"	—
v6	54	#4	2'-8"	—
Concrete Structures			Cu. Yd.	12.2
Concrete Encasement			Cu. Yd.	1.4
Reinforcement Bars			Pound	1,230
Steel Piles HP10x42			Foot	200