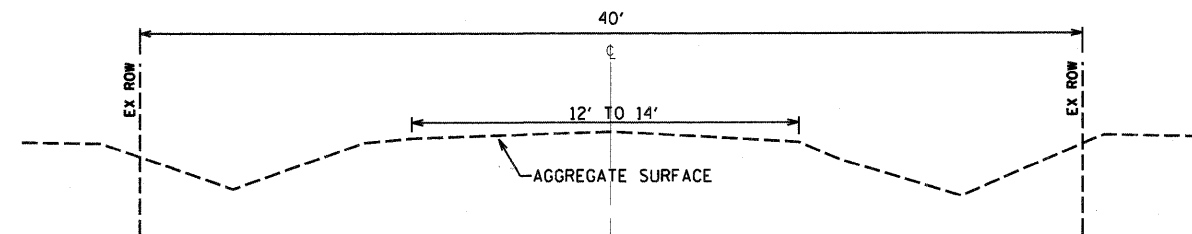


GENERAL NOTES

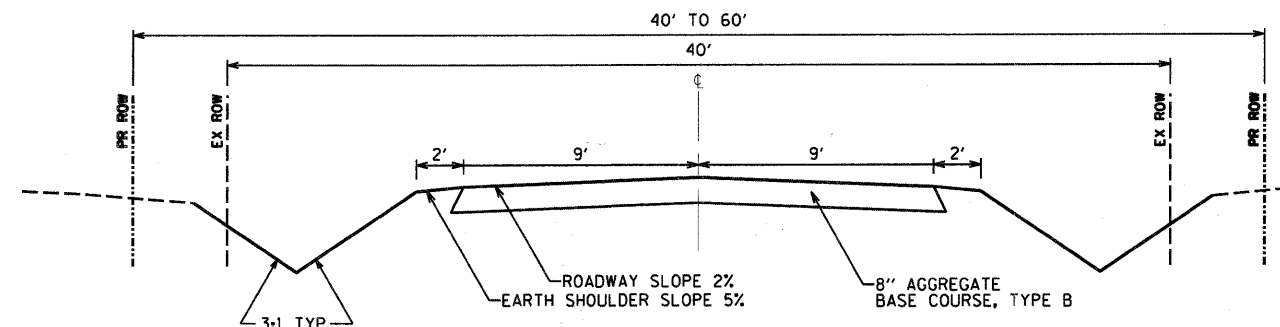
- ALL CONSTRUCTION SHALL BE DONE IN ACCORDANCE WITH THE STATE OF ILLINOIS "STANDARD SPECIFICATIONS FOR ROAD AND BRIDGE CONSTRUCTION, ADOPTED JANUARY 1, 2012," THESE PLANS AND THE SPECIAL PROVISIONS INCLUDED IN THE CONTRACT DOCUMENTS.
- THE CONTRACTOR SHALL COORDINATE ACTIVITIES WITH ALL UTILITIES WITHIN THE PROJECT LIMITS. THE LOCATIONS OF EXISTING UTILITIES AS SHOWN ON THE PLANS ARE BASED ON CAREFUL FIELD INVESTIGATION AND THE BEST INFORMATION AVAILABLE, BUT ARE NOT GUARANTEED. IT SHALL BE THE RESPONSIBILITY OF THE CONTRACTOR TO DETERMINE THEIR EXACT LOCATIONS FROM THE UTILITY COMPANIES AND BY FIELD INSPECTION. THE CONTRACTOR IS REQUIRED TO CONTACT J.U.L.I.E. AT, 1-800-892-0123, PRIOR TO PROCEEDING WITH ANY EXCAVATION AND WORK ON THE PROJECT.
- THE FOLLOWING RATES OF APPLICATION HAVE BEEN USED IN CALCULATING PLAN QUANTITIES...
 AGGREGATE SURFACE COURSE, TYPE B - 1.8 TON/CU YD
 MULCH METHOD - 2.0 TON/ACRE
 TEMPORARY SEEDING - 100LB/ACRE

TYPICALS



EXISTING TYPICAL CROSS SECTION

NTS
 STA 4+80.00 TO STA 5+76.62
 BRIDGE OMISSION
 STA 6+23.38 TO STA 7+80



PROPOSED TYPICAL CROSS SECTION

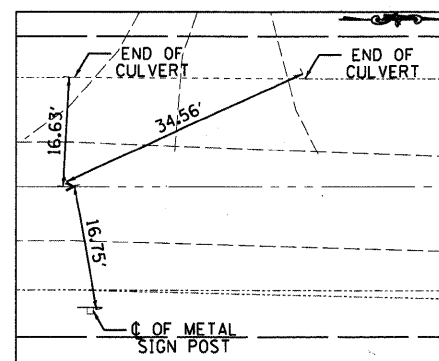
NTS
 STA 4+80.00 TO STA 5+76.62
 BRIDGE OMISSION
 STA 6+23.38 TO STA 7+80

LIST OF ILLINOIS DOT HIGHWAY STANDARDS

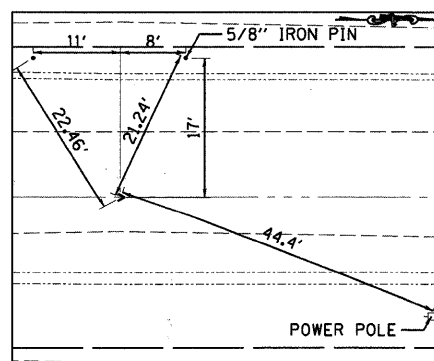
STANDARD NO. DESCRIPTION

000001-06	STANDARD SYMBOLS, ABBREVIATIONS & PATTERNS
280001-06	TEMPORARY EROSION CONTROL SYSTEMS
515001-03	NAME PLATE FOR BRIDGES
601101-01	CONCRETE HEADWALL FOR PIPE DRAIN
635006-03	REFLECTOR AND TERMINAL MARKER PLACEMENT
701901-02	TRAFFIC CONTROL DEVICES
BLR-21-9	TYP APP OF TRAFFIC CONTROL DEVICES, CONSTRUCTION ON RURAL LOCAL HIGHWAYS

ALIGNMENT AND TIES



PK NAIL W/ BOTTLE CAP
 N: 987375.5432
 E: 1065655.2917
 STA: 0+99.58
 OFFSET: 0.88 LT



5/8" IRON PIN
 N: 988375.5352
 E: 1065659.1587
 STA: 10+99.58
 OFFSET: 0.92 RT

POT Sta 3+00.00
 N: 987575.9617
 E: 1065656.9394

POT Sta 4+00.00
 N: 987675.9610
 E: 1065657.3207

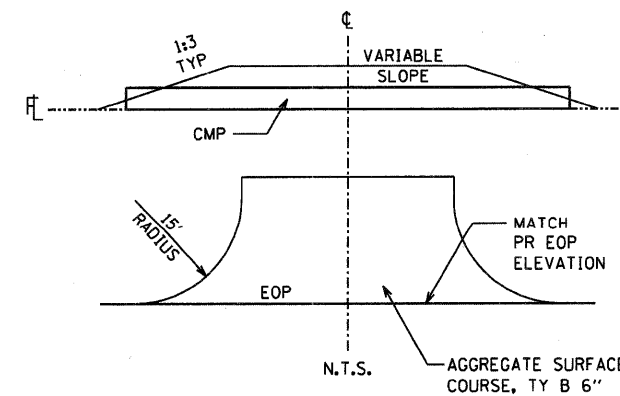
POT Sta 5+00.00
 N: 987775.9598
 E: 1065656.8293

POT Sta 7+00.00
 N: 987975.9583
 E: 1065657.5918

POT Sta 8+00.00
 N: 988075.9571
 E: 1065657.1004

POT Sta 9+00.00
 N: 988175.9564
 E: 1065657.4816

TYP ENTRANCE DETAIL



NO.	DATE	DESCRIPTION OF REVISIONS	NO.	DATE	DESCRIPTION OF REVISIONS