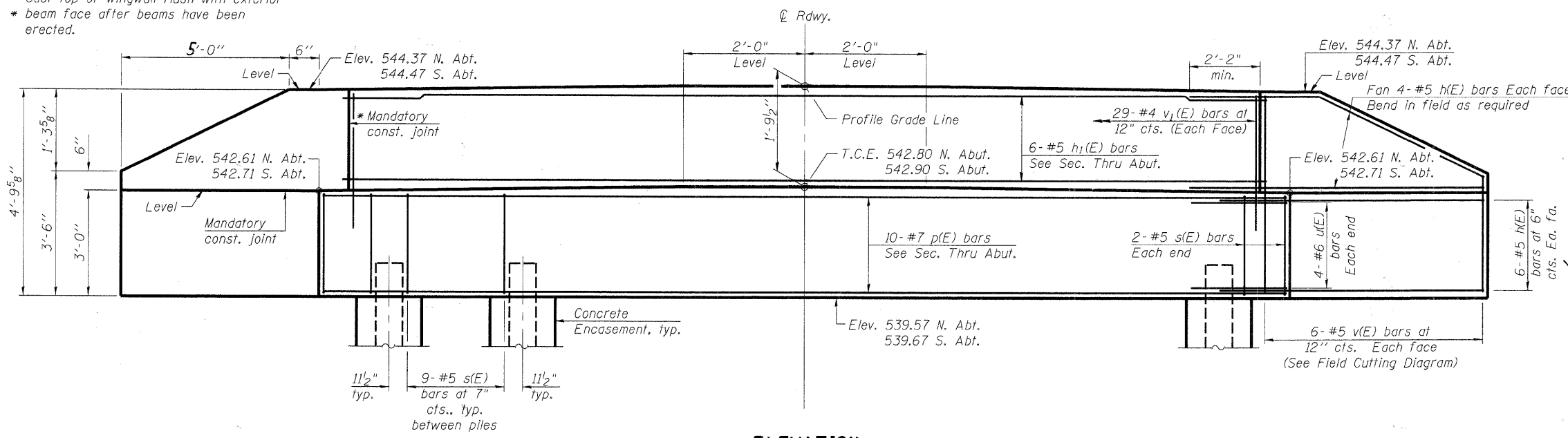
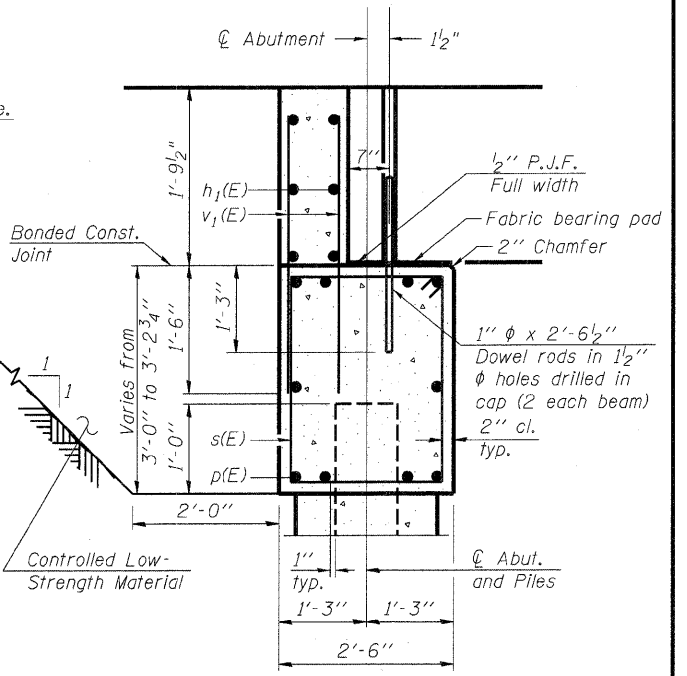


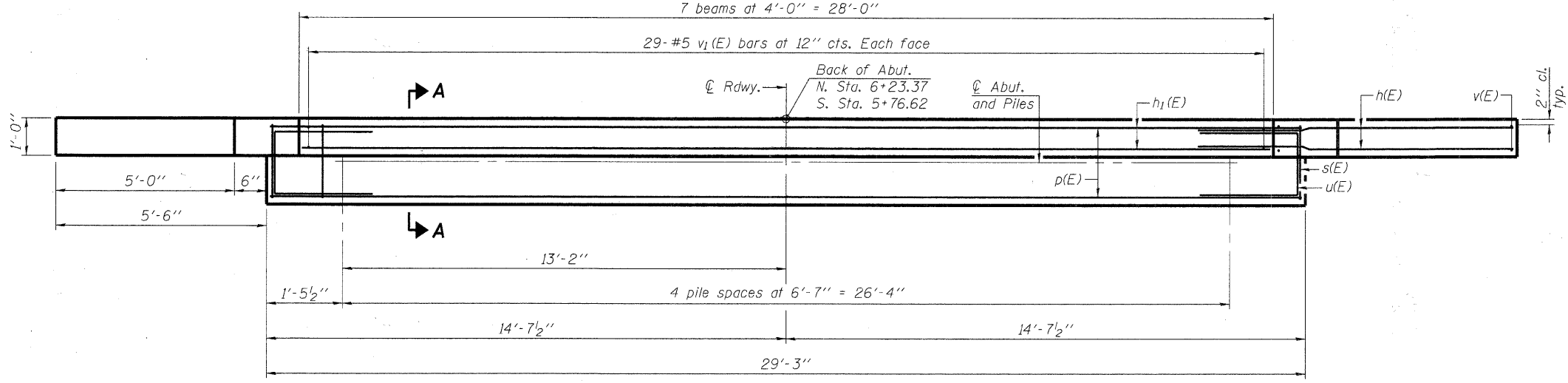
Cast top of wingwall flush with exterior beam face after beams have been erected.



ELEVATION



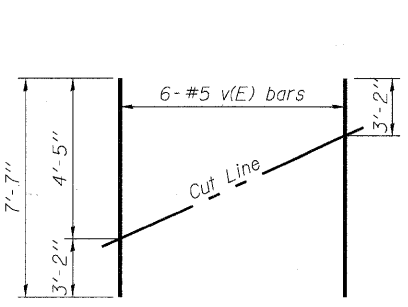
SECTION A-A



PLAN

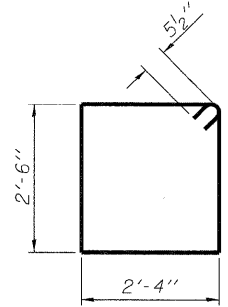
PILE DATA

Type: Steel HP 10x42
 Nominal Required Bearing: 271 kips S. Abut.
 280 kips N. Abut.
 Factored Resistance Available: 145 kips S. Abut.
 154 kips N. Abut.
 Est. Length: 20'
 No. Production Piles: 8
 No. Test Piles: 2

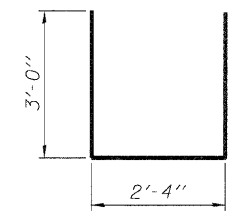


FIELD CUTTING DIAGRAM

Order v(E) bars full length. Cut as shown and use remainder of bars in opposite face.



BAR s(E)



BAR u(E)

BILL OF MATERIAL
Two Abutments

Bar	No.	Size	Length	Shape
h(E)	80	#5	6'-5"	—
h1(E)	12	#5	27'-9"	—
p(E)	20	#7	29'-0"	—
s(E)	80	#5	10'-7"	□
u(E)	16	#6	8'-4"	U
v(E)	48	#5	7'-7"	—
v1(E)	116	#5	3'-7"	—
Structure Excavation		Cu. Yd.	120	
Concrete Structures		Cu. Yd.	22.4	
Reinforcement Bars, Epoxy Coated		Pound	3970	
Furnishing Steel Piles HP 10x42		Foot	160	
Driving Piles		Foot	160	
Test Pile, Steel HP 10x42		Each	2	
Concrete Encasement		Cu. Yd.	3.5	

Notes:
 For details of piles and Concrete Encasement, see sheet 6 of 7.
 Cast backwall after beams and concrete wearing surface, if applicable, have been erected.

PRINTED DATE: 2/21/2015
 FILE NAME: C:\p\projects\tr282\tr282.dwg
 USER: adg
 PLOTTER: HP DesignJet 5000 Series
 PLOTTING: 24x36
 SCALE: 1/8"=1'-0"
 SHEET: 01-36-00-BR
 TOTAL SHEETS: 13
 SHEET NO: 09

DESIGNED - DF
CHECKED -
DRAWN - ADG
CHECKED -

ESI CONSULTANTS, LTD
 753 WINDSOR ROAD
 CHARLESTON, IL 61920
 (217) 548-1900
 WWW.ESICONSULTANTS.LTD.COM
 ILLINOIS DEPARTMENT OF PROFESSIONAL REGULATION REGISTRATION #184-003685

TR 282
COLES COUNTY

ABUTMENTS
STRUCTURE NO. 015-3427
 SHEET NO 5 OF 7 SHEETS

TWP	SECTION	COUNTY	TOTAL SHEETS	SHEET NO
282	07-05136-00-BR	COLES	13	09
CONTRACT NO				
ILLINOIS FEDERAL AID PROJECT				