

SUMMARY OF QUANTITIES

CONSTRUCTION TYPE CODE 00N

CODE NO.	ITEM	UNIT	QUANTITY
20100110	TREE REMOVAL (6 TO 15 UNITS DIAMETER)	UNIT	111
20200100	EARTH EXCAVATION	CU YD	686
20300100	CHANNEL EXCAVATION	CU YD	230
20400800	FURNISHED EXCAVATION	CU YD	1515
25000200	SEEDING, CLASS 2	ACRE	1.00
25000400	NITROGEN FERTILIZER NUTRIENT	POUND	90
25000500	PHOSPHORUS FERTILIZER NUTRIENT	POUND	90
25000600	POTASSIUM FERTILIZER NUTRIENT	POUND	90
25100115	MULCH, METHOD 2	ACRE	1.00
28000200	EARTH EXCAVATION FOR EROSION CONTROL	CU YD	42
28000250	TEMPORARY EROSION CONTROL SEEDING	POUND	100
28000315	AGGREGATE DITCH CHECKS	TON	21
28000400	PERIMETER EROSION BARRIER	FOOT	272
28000500	INLET AND PIPE PROTECTION	EACH	2
28100107	STONE RIPRAP, CLASS A4	SQ YD	898
28200200	FILTER FABRIC	SQ YD	898
30200650	PROCESSING MODIFIED SOIL 12"	SQ YD	1653
30201700	PORTLAND CEMENT	TON	70
40200800	AGGREGATE SURFACE COURSE, TYPE B	TON	73
40600100	BITUMINOUS MATERIALS (PRIME COAT)	GAL	211
40603080	HOT-MIX ASPHALT BINDER COURSE, IL 19.0, N50	TON	521
40603310	HOT-MIX ASPHALT SURFACE COURSE, MIX "C", N50	TON	206
48100100	AGGREGATE SHOULDERS, TYPE A	TON	235
50100100	REMOVAL OF EXISTING STRUCTURES	EACH	1
50300225	CONCRETE STRUCTURES	CU YD	33.5
50400705	PRECAST PRESTRESSED CONCRETE DECK BEAMS (42" DEPTH)	SQ FT	2735
50800205	REINFORCEMENT BARS, EPOXY COATED	POUND	4400
Δ50901050	STEEL RAILING, TYPE SM	FOOT	196
51200958	FURNISHING METAL SHELL PILES 14" x 0.250"	FOOT	395
51202305	DRIVING PILES	FOOT	395
51203200	TEST PILE METAL SHELLS	EACH	2
51500100	NAME PLATES	EACH	1
542D0229	PIPE CULVERTS, CLASS D, TYPE 1 24"	FOOT	88
54215559	METAL END SECTIONS 24"	EACH	4
58100200	WATERPROOFING MEMBRANE SYSTEM	SQ YD	304
58300100	PORTLAND CEMENT MORTAR FAIRING COURSE	FOOT	586
59300100	CONTROLLED LOW-STRENGTH MATERIAL	CU YD	63.7
Δ63100087	TRAFFIC BARRIER TERMINAL, TYPE 6A	EACH	4
Δ63100167	TRAFFIC BARRIER TERMINAL TYPE 1 (SPECIAL) TANGENT	EACH	4
67100100	MOBILIZATION	L SUM	1
Δ78201000	TERMINAL MARKER - DIRECT APPLIED	EACH	4

• SEE SPECIAL PROVISIONS
 Δ SPECIALTY ITEMS

GENERAL NOTES

THE AREA TO BE SEEDD SHALL CONSIST OF ALL DISTURBED EARTH SURFACES WITHIN THE RIGHT-OF-WAY AS DIRECTED BY THE ENGINEER.

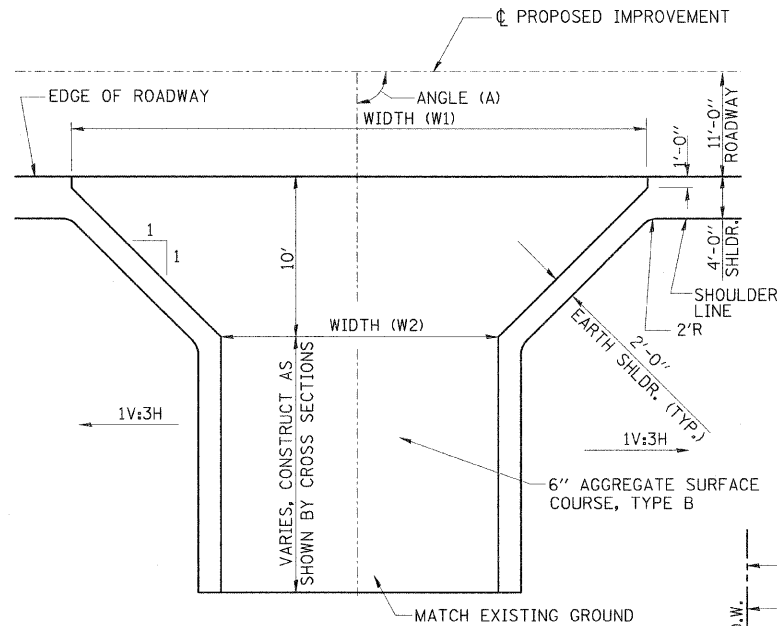
LAYOUT OF EROSION CONTROL ITEMS MAY BE VARIED IN THE FIELD TO SUIT GROUND CONDITIONS AS DIRECTED BY THE ENGINEER.

IT SHALL BE THE CONTRACTOR'S RESPONSIBILITY TO DETERMINE THE ACTUAL LOCATION OF ALL UNDERGROUND UTILITY FACILITIES. HE SHALL ALSO OBTAIN FROM THE RESPECTIVE UTILITY COMPANIES DETAILED INFORMATION RELATIVE TO THE LOCATION OF THEIR FACILITIES AND THE WORKING SCHEDULES OF THE UTILITY COMPANIES FOR THEIR MARKING OF THE EXACT LOCATION.

REMOVAL OF EXISTING PAVEMENT MATERIAL AND EXISTING FENCE SHALL BE INCLUDED IN EARTH EXCAVATION.

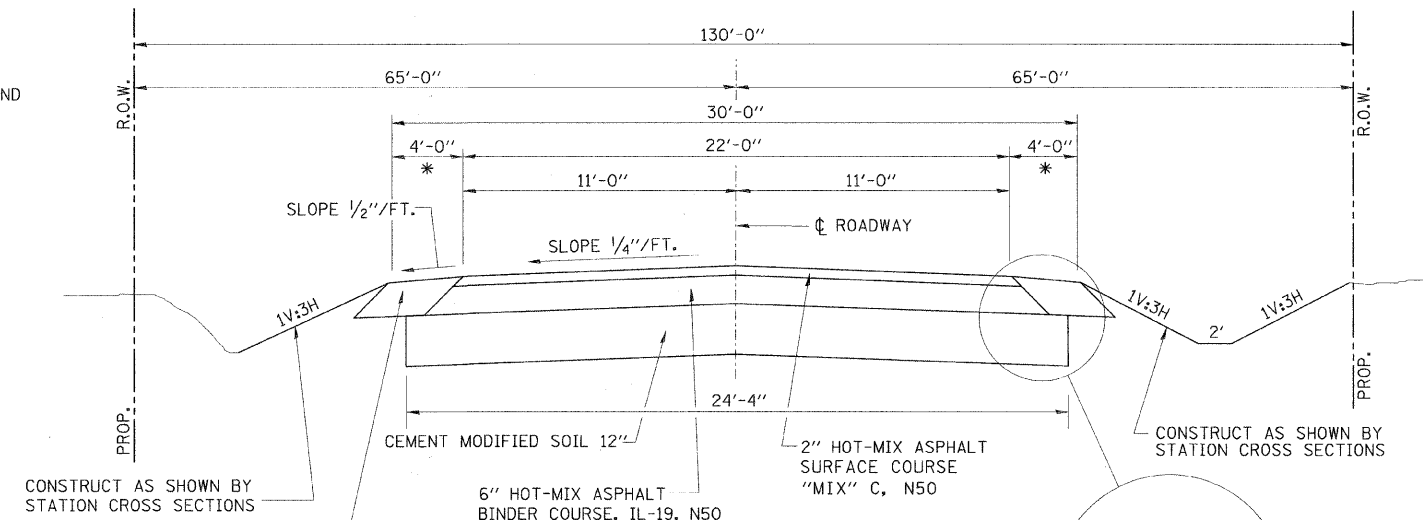
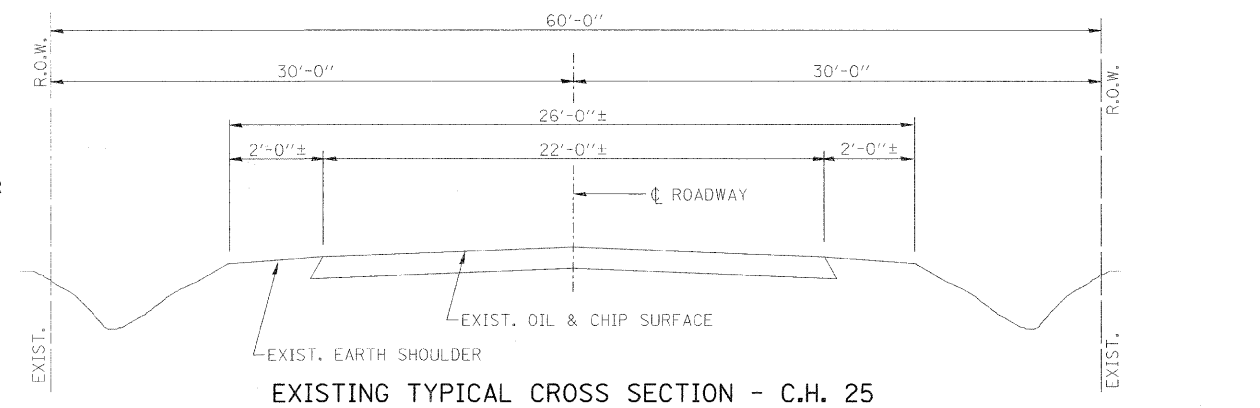
APPLICATION RATES

FERTILIZER NUTRIENTS	90	LBS./ACRE
MULCH METHOD 2	2	TONS/ACRE
TEMPORARY EROSION CONTROL SEEDING	100	LBS./ACRE
PORTLAND CEMENT (MODIFIED SOIL)	85	LBS./SQ. YD.
BITUMINOUS MATERIALS-PRIME COAT	0.10	GALS./S. Y.
BITUMINOUS MATERIALS-FOG COAT	0.03	GALS./S. Y.
HOT MIX ASPHALT	112	LBS./S. Y./INCH
AGGREGATE SHOULDERS	2.05	TONS/CU. YD.



ENTRANCE DETAIL

F.E. LT., STA. 17+40.82 = 38 TONS
 (W1 = 34', W2 = 16', A = 90°)
 F.E. LT., STA. 22+24.47 = 23 TONS
 (W1 = 34', W2 = 16', A = 90°)
 P.E. RT., STA. 22+38.70 = 12 TONS
 (W1 = 30', W2 = 12', A = 86°)
 AGGREGATE SURFACE COURSE, TYPE B
 TOTAL = 73 TONS



BITUMINOUS MIXTURE REQUIREMENTS

LOCATION	CH 25	CH 25
MIX USE	BINDER	SURFACE
AC/PG	PG 58-28	PG 58-28
RAP %	25	15
DESIGN VOIDS	4.0 @ N=50	4.0 @ N=50
MIXTURE COMPOSITION (GRAD. MIXTURE)	IL-19.0	IL-9.5
FRICTION	N/A	MIX C

ROADWAY QUANTITY SCHEDULE

LOCATION	PROC MOD SOIL 12" (SQ YD)	PORTLAND CEMENT (TON)	BITUMINOUS MATERIALS (PRIME COAT) (GAL)	HMA BC IL-19.0 N50 (TON)	HMA SC "C" N50 (TON)	AGGREGATE SHLDS A (TON)
M.L. STA. 16+00.00 TO STA. 19+50.41	949	40	121	299	97	136
M.L. STA. 20+49.81 TO STA. 23+10.00	704	30	90	222	72	99
OVERLAY AT STRUCTURE					37	
TOTALS	1653	70	211	521	206	235

GENERAL DATA

Date	Designed MJP	C.H. 25 OVER KICKAPOO CREEK SECTION 06-00213-00-BR MACON COUNTY STA. 20+00.00 PROP. STR. NO. 058-3394
Revisions	Drawn REZ	
	Checked GAC	
	Approved KWB	
Prepared by:	URS 345 East Ash Avenue Decatur, IL 62526	URS Job No. 36431926