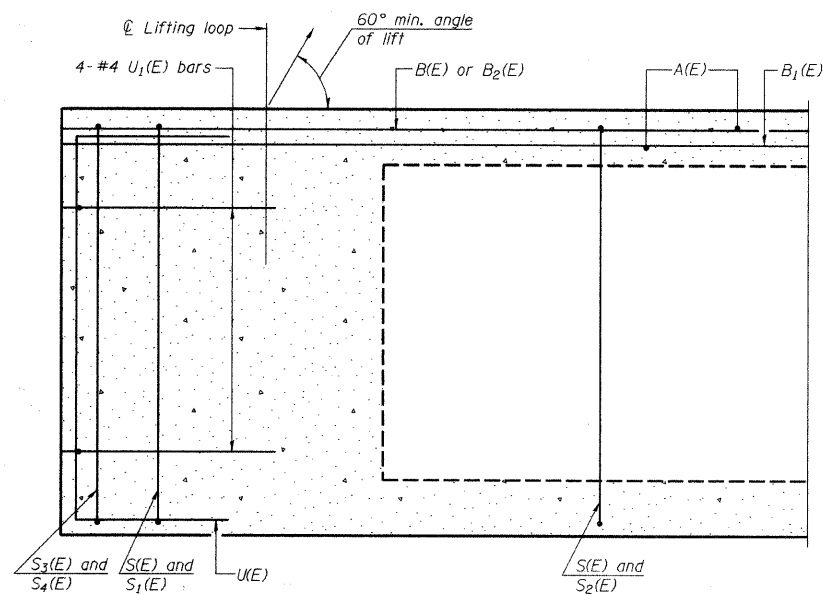


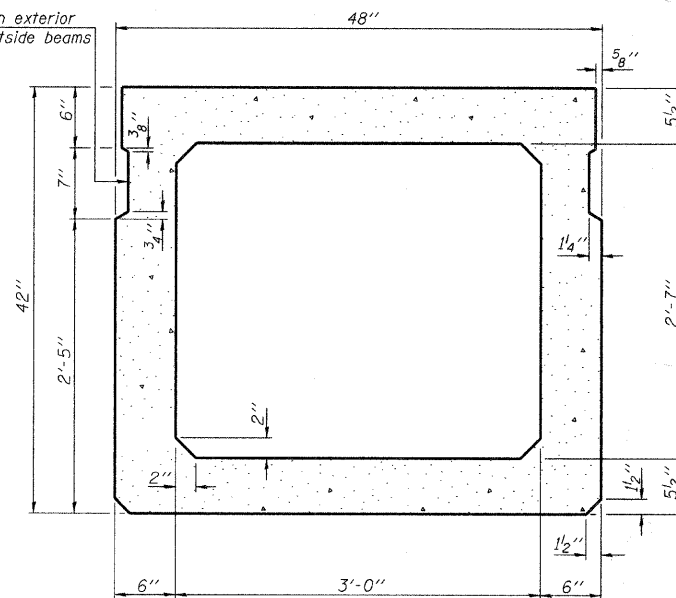
ROUTE NO.	SECTION	COUNTY	TOTAL SHEETS	SHEET NO.
C.H. 25	06-00213-00-BR	MACON	19	14
FED. ROAD DIST. NO.	ILLINOIS	PROJECT: BRS-0544(104)		

CONTRACT NO. 95680

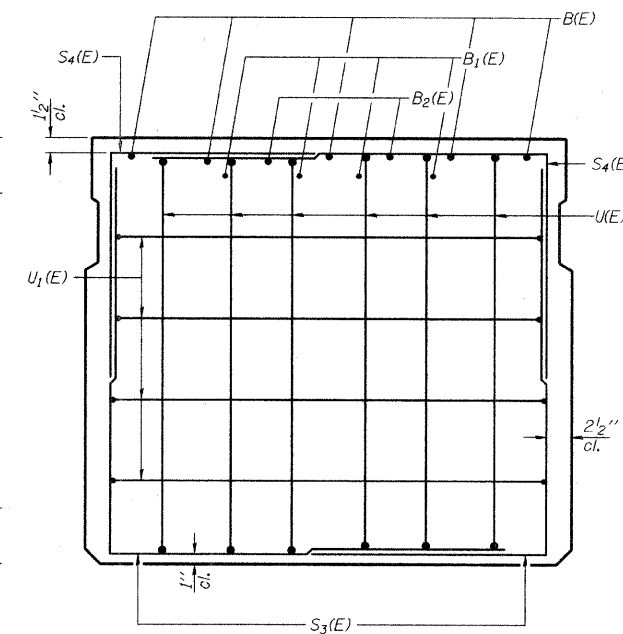


SECTION A-A

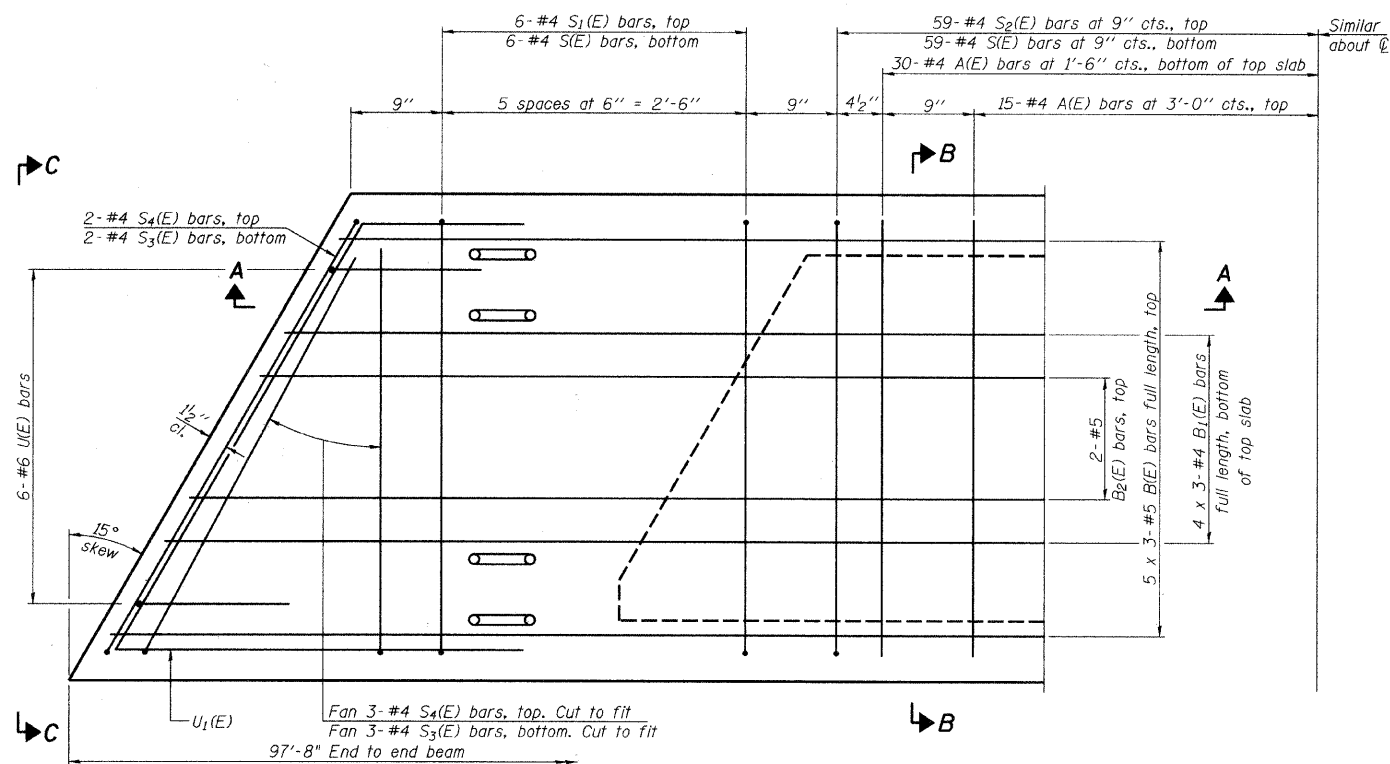
Omit key on exterior face of outside beams



SECTION B-B
(Showing dimensions)



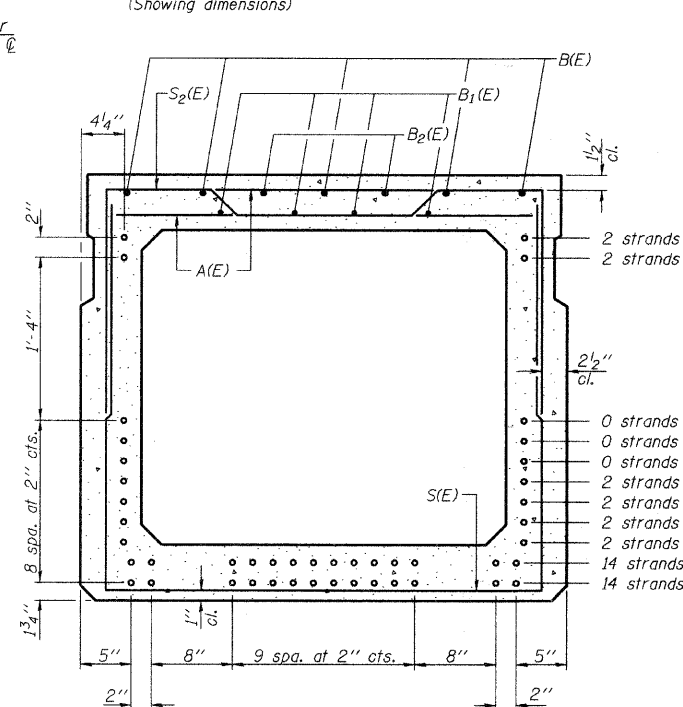
VIEW C-C



PLAN VIEW

Note: Spacing of S(E) and S2(E) bars may be adjusted up to 4" in the immediate area of the transverse tie diaphragms to miss the block outs for the transverse ties.

MINIMUM BAR LAP
#4 bar = 2'-0"
#5 bar = 2'-6"



SECTION B-B
(Showing reinforcement and permissible strand locations)
Note: Place the number of strands specified in each row symmetrically about the centerline of beam in the permissible strand locations shown.

BAR LIST
ONE BEAM ONLY
(For information only)

Bar	No.	Size	Length	Shape
A(E)	90	#4	3'-7"	—
B(E)	15	#5	34'-2"	—
B1(E)	12	#4	33'-10"	—
B2(E)	4	#5	10'-0"	—
S(E)	131	#4	9'-11"	—
S1(E)	12	#4	7'-3"	—
S2(E)	119	#4	7'-6"	—
S3(E)	10	#4	5'-10"	—
S4(E)	10	#4	4'-6"	—
U(E)	12	#6	5'-9"	—
U1(E)	8	#4	7'-3"	—

Notes:
See sheet 3 of 7 for additional details and Bill of Material.
Bars indicated thus 2 x 3-#5 etc. indicates 2 lines of bars with 3 lengths per line.

42" x 48" PPC DECK BEAM
STRUCTURE NO. 058-3394

SUPERSTRUCTURE

Date	Designed MJP	C.H. 25 OVER KICKAPOO CREEK SECTION 06-00213-00-BR MACON COUNTY STA. 20+00.11 PROP. STR. NO. 058-3394	Sheet No.
Revisions	Drawn REZ		2
	Checked KWB		
	Approved KWB		
Prepared by:	URS 345 East Ash Avenue Decatur, IL 62526		of 7 URS Job No. 36431926