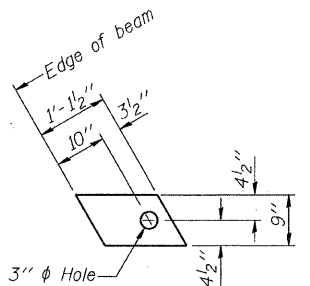


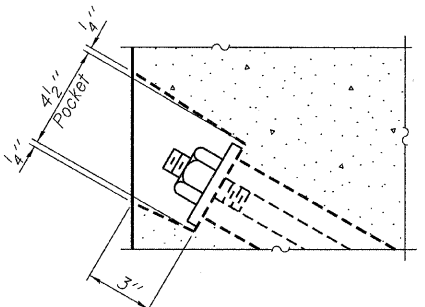
FABRIC BEARING PAD
(Interior - 54 Required)



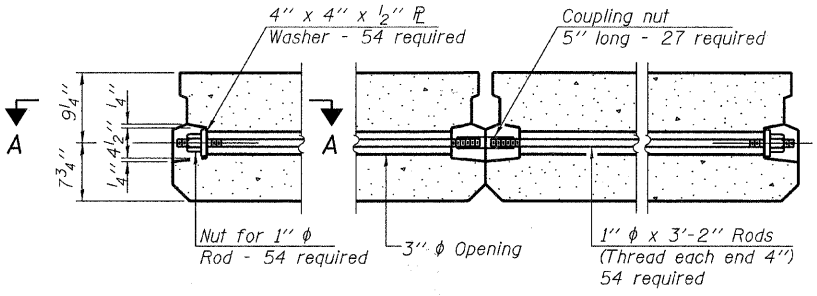
FABRIC BEARING PAD
(Interior - 12 Required)

FIXED

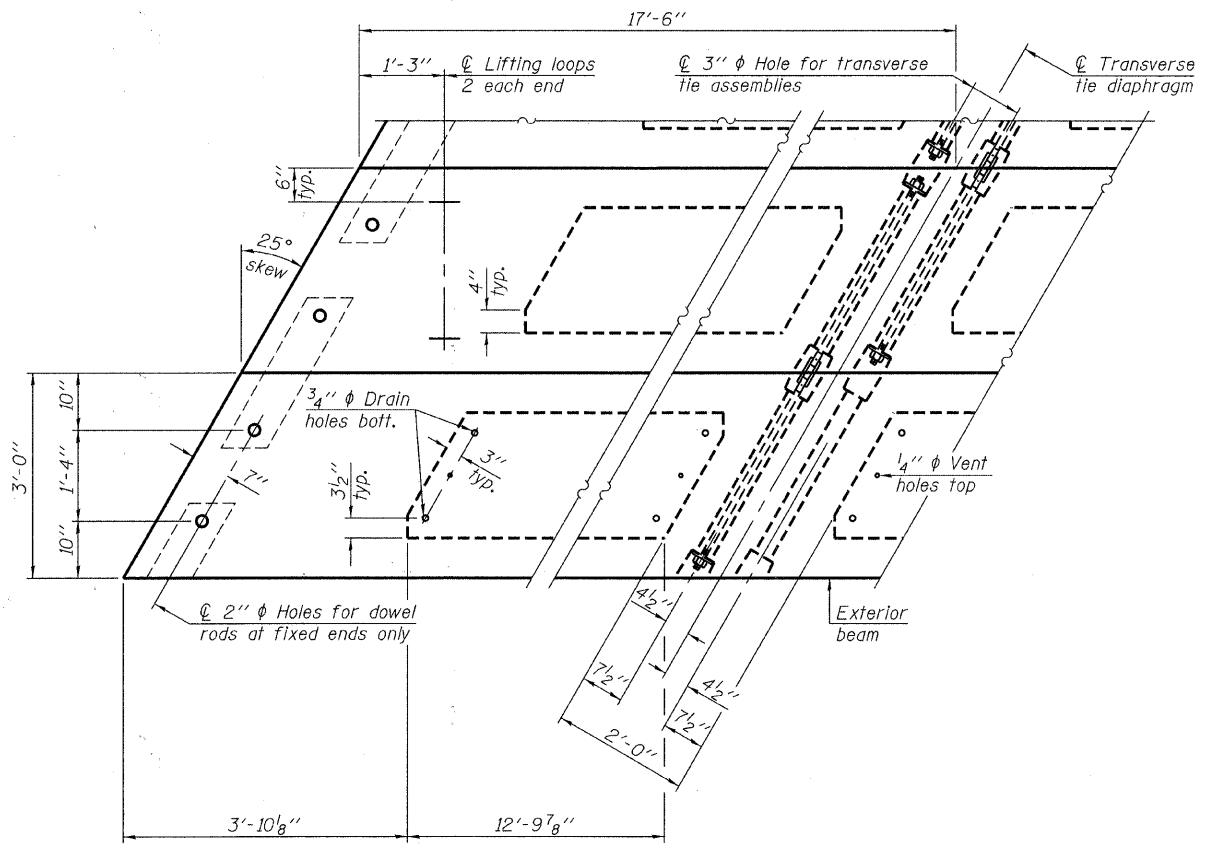
Notes:
All bearing pads shall be 1" thick.
Omit holes when using expansion bearings.
Expansion bearing pad shall be bonded to the substructure.



SECTION A-A



TYPICAL TRANSVERSE TIE ASSEMBLY

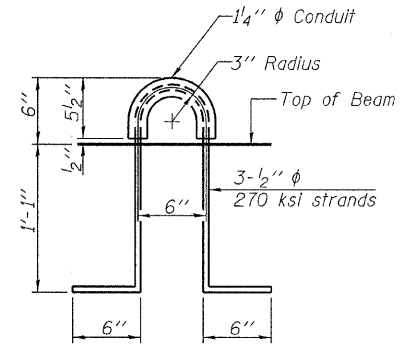
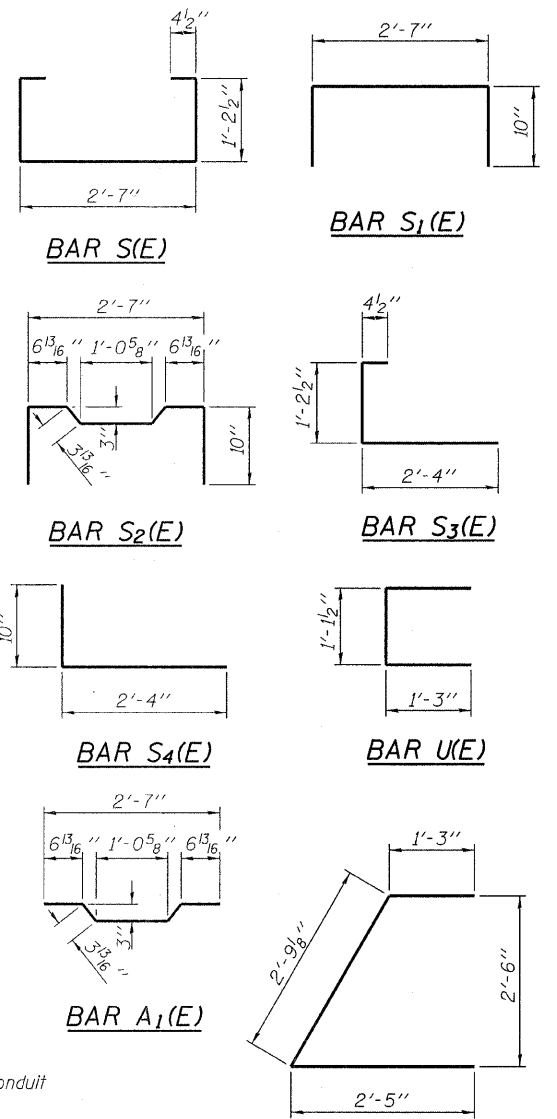


PLAN VIEW

Note: Connect beams in pairs with the transverse tie configuration shown.

NOTES

Prestressing steel shall be uncoated high strength, low relaxation 7-wire strand, Grade 270. The nominal diameter shall be 1/2" and the nominal cross-sectional area shall be 0.153 sq. in. The 1" rods in the transverse tie assembly shall be tightened to a snug fit and the threads set. Pockets on exterior faces of bridge shall be filled with grout after transverse tie assembly is in place.
Reinforcement bars shall conform to ASTM A 706, Grade 60. (See Special Provisions).
Two 1/8" fabric adjusting shims of the dimensions of the exterior bearing pad shall be provided for each bearing pad location.
A minimum 2 1/2" lifting pin shall be used to engage the lifting loops during handling.
Corrosion inhibitor, per Article 1020.05(b)(12) and 1021.06 of the Standard Specifications, shall be used in the concrete for precast prestressed concrete deck beams.
Compressive strength of prestressed concrete, f'c, shall be 6000 psi.
Compressive strength of prestressed concrete at release, f'ci, shall be 5000 psi.
All reinforcement shall be epoxy coated.



LIFTING LOOP DETAIL

BILL OF MATERIAL

Material	Sq. Ft.	3,150
Precast Prestressed Conc. Deck Bms. (17" depth)		
Hot-Mix Asphalt Surface Course	Ton	44

PD-1736-LD 7-1-10

FILE NAME = 110368-sh1-br-ridge.dgn	USER NAME =	DESIGNED - D.W.T.	REVISED -
HAMPTON, LENZINI AND RENWICK, INC.		CHECKED - S.M.S.	REVISED -
3805 STEVENSON DRIVE, SUITE 201		DRAWN - D.A.B.	REVISED -
SPRINGFIELD, ILLINOIS 62703	PLOT SCALE =	CHECKED - S.W.M.	REVISED -
ILLINOIS PROFESSIONAL DESIGN FIRM	PLOT DATE = 3/29/2012		
LSI/PE/SE CORP. 184-000699			

STATE OF ILLINOIS
CRAWFORD COUNTY HIGHWAY DEPARTMENT

17" x 36" PPC DECK BEAM DETAILS - ALL SPANS
STRUCTURE NO. 017-3061

C.H.	SECTION	COUNTY	TOTAL SHEETS	SHEET NO.
3	11-00096-00-BR	CRAWFORD	16	8
				CONTRACT NO. 95682
[ILLINOIS] FED. AID PROJECT				

SHEET NO. 4 OF 12 SHEETS