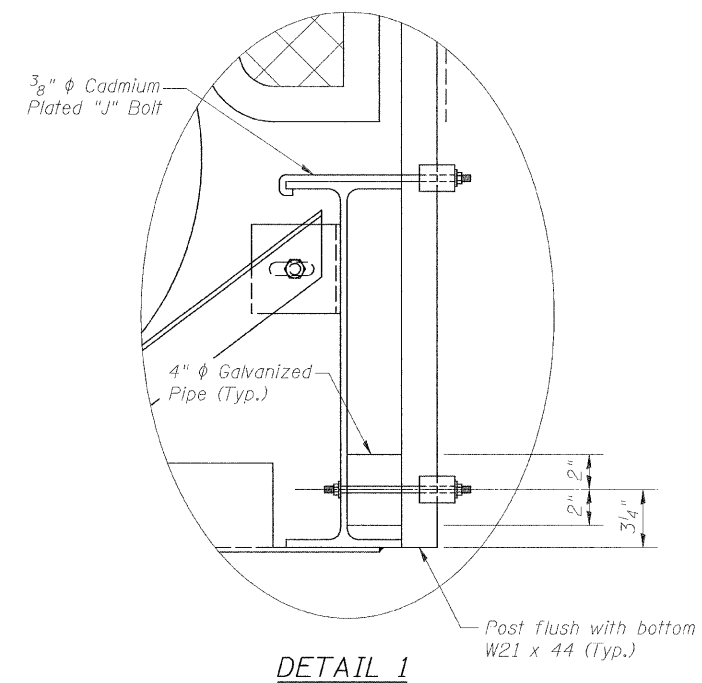


PIPE WALK PREVENTER - END VIEW
(Typ. Ea. End of Sewer Bridge)

PIPE WALK PREVENTER - SIDE VIEW
(Typ. Ea. Side & Ea. End of Sewer Bridge)

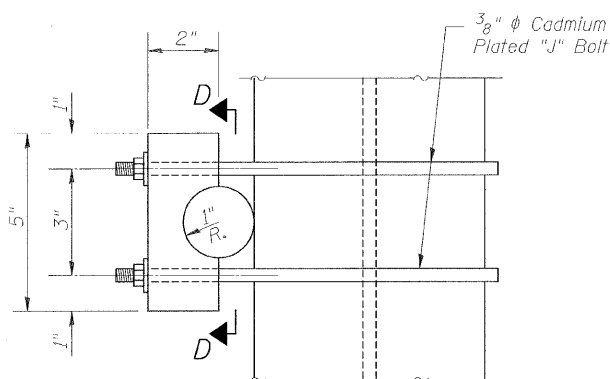


DETAIL 1

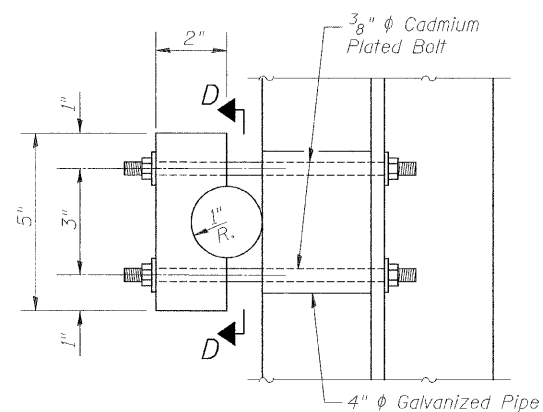
Notes:
The chain link fabric shall be black vinyl coated and conform to the requirements of Article 1006.27(a)(1)d of the Standard Specifications.

- All posts, railing, splices, anchor devices and bent plates shall be painted using one of the two following paint systems:
1. Inorganic Zinc-rich/Waterborne Acrylic for shop and field applications.
 2. Organic Zinc-rich/Epoxy/Urethane for full shop application.

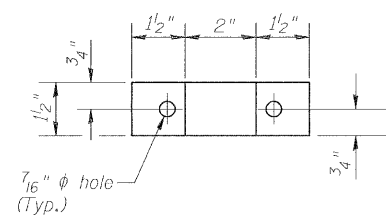
Finish paint color shall be N1 - Black.



VIEW B-B



VIEW C-C



VIEW D-D

BILL OF MATERIAL

Item	Unit	Total
Chain Link Fence, 6' Attached to Structure	Foot	41

URS

345 EAST ASH AVENUE, SUITE B
DECATUR, ILLINOIS 62526
PH. 217-875-4800

FILE NAME =	USER NAME = Brian K. Nicholson	DESIGNED - MJP	REVISED -
		CHECKED - KWB	REVISED -
		DRAWN - BKN	REVISED -
		CHECKED - KWB	REVISED -

**STATE OF ILLINOIS
DEPARTMENT OF TRANSPORTATION**

**SANITARY SEWER BRIDGE DETAILS - PIPE WALK
PREVENTER AND SCREEN**

F.A.U. RTE.	SECTION	COUNTY	TOTAL SHEETS	SHEET NO.
T398	09-00905-00-BR	MACON	63	24
			CONTRACT NO. 95687	

SHEET NO. 3 OF 9 SHEETS

ILLINOIS FED. AID PROJECT