

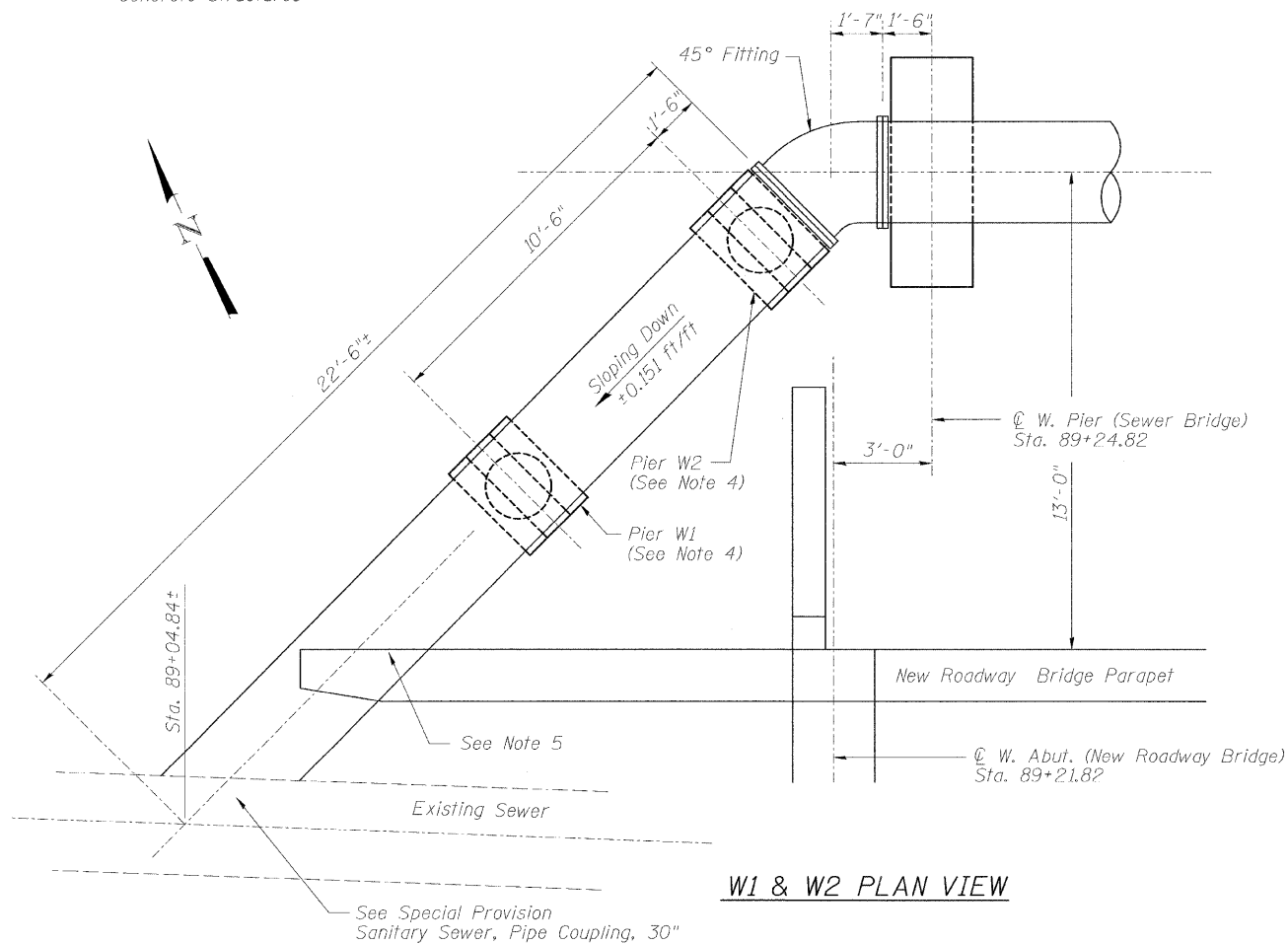
SEWER PIPE PIER TABLE

Pier	Station	Offset (ft.)	Invert Elevation	Cradle Elevation	Shoulder Elevation
W1*	89+12.13	-26.978	621.50	621.42	622.11
W2*	89+19.56	-34.403	623.09	623.01	623.69
E1	90+66.32	-36.583	624.19	624.11	624.80
E2	90+83.82	-36.583	624.20	624.12	624.80
E3	91+01.32	-36.583	624.20	624.12	624.81
E4	91+18.82	-36.583	624.21	624.13	624.81
E5	91+36.32	-36.583	624.21	624.13	624.82
E6	91+53.82	-36.583	624.22	624.14	624.82
E7	91+71.32	-36.583	624.22	624.14	624.83
E8	91+88.82	-36.583	624.23	624.15	624.83
E9	92+06.32	-36.583	624.23	624.15	624.84
E10	92+23.82	-36.583	624.24	624.16	624.84

* Provide slope of 0.151 ft/ft across cradle (See Note 4)

*** Included in Cost of Concrete Structures

PIER E9 - E10



Notes:

1. Invert to ground distance varies. For actual cross sections see Sheets 7 through 9 of 9.
2. Elevations at top of pier shall be adjusted to obtain proposed sewer invert shown on profile.
3. If actual pipe laying length differs from 17'-6" (as shown), Contractor shall be responsible for adjusting pipe pier locations.
4. Pipe layout, fitting dimensions, and pipe slope shall be confirmed by the Contractor before constructing Piers W1 and W2.
5. Lay out connector sewer pipe so that pipe passes under approach slab parapet and does not conflict with guardrail posts.
6. CA-6 Base Material shall be per Art. 1004.04 of the Standard Specifications and shall be compacted to the satisfaction of the Engineer.

URS

345 EAST ASH AVENUE, SUITE B
 DECATUR, ILLINOIS 62526
 PH. 217-875-4800

FILE NAME =	USER NAME = Brian K. Nicholson	DESIGNED - KWB	REVISED -
		CHECKED - DCS	REVISED -
		DRAWN - DCS	REVISED -
		CHECKED - KWB	REVISED -

STATE OF ILLINOIS
 DEPARTMENT OF TRANSPORTATION

SANITARY SEWER PIPE SUPPORT DETAILS

F.A.U. RTE.	SECTION	COUNTY	TOTAL SHEETS	SHEET NO.
7398	09-00905-00-BR	MACON	63	26
				CONTRACT NO. 95687
ILLINOIS FED. AID PROJECT				

SHEET NO. 5 OF 9 SHEETS