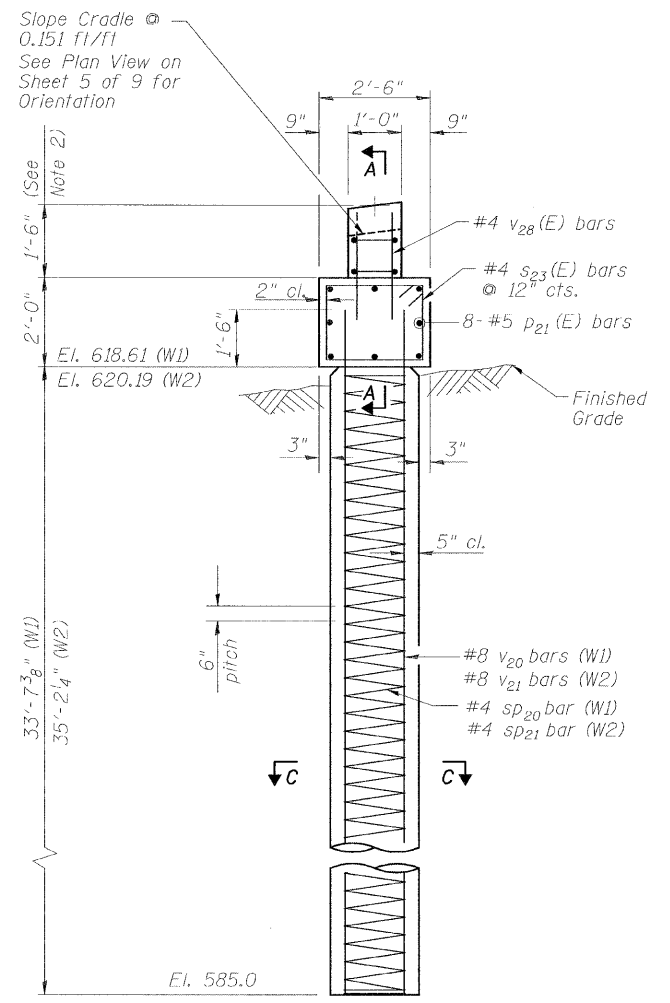
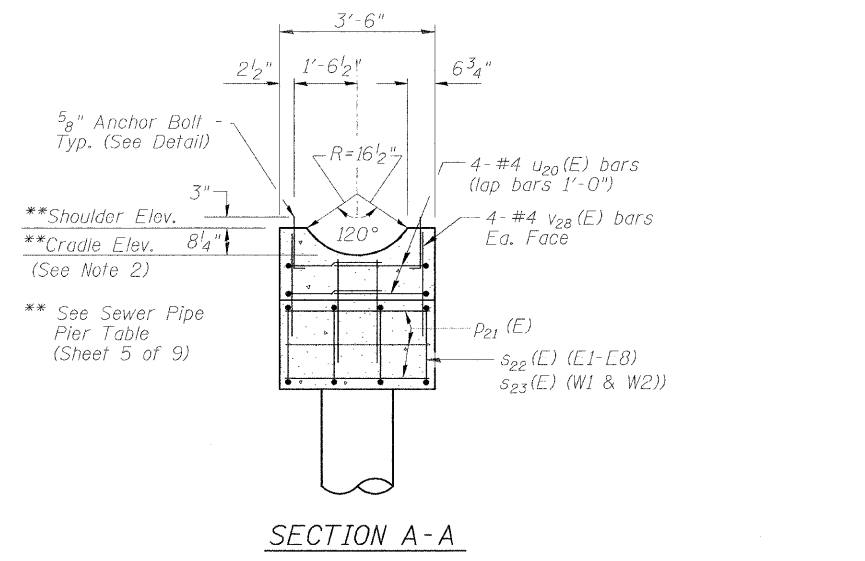


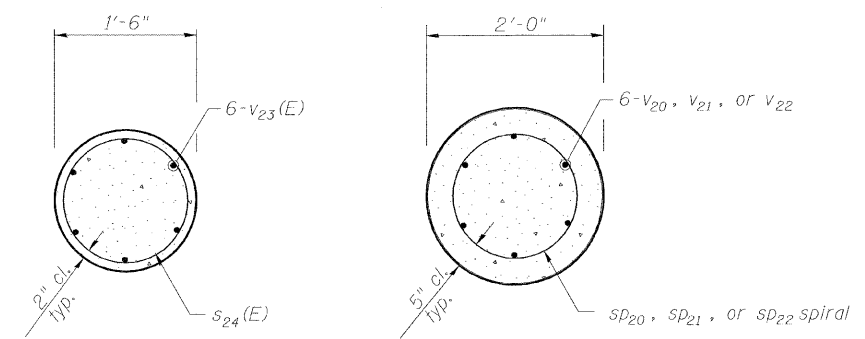
**ELEVATION
PIER E1 - E8**



**ELEVATION
PIER W1 - W2**



SECTION A-A



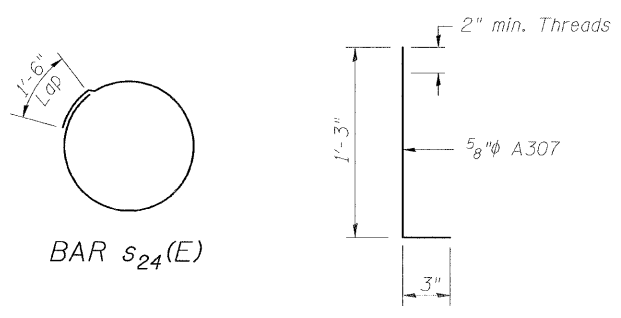
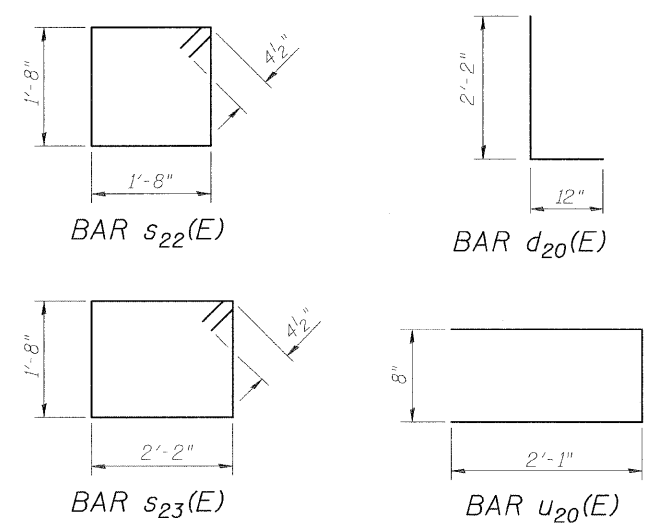
SECTION B-B

SECTION C-C

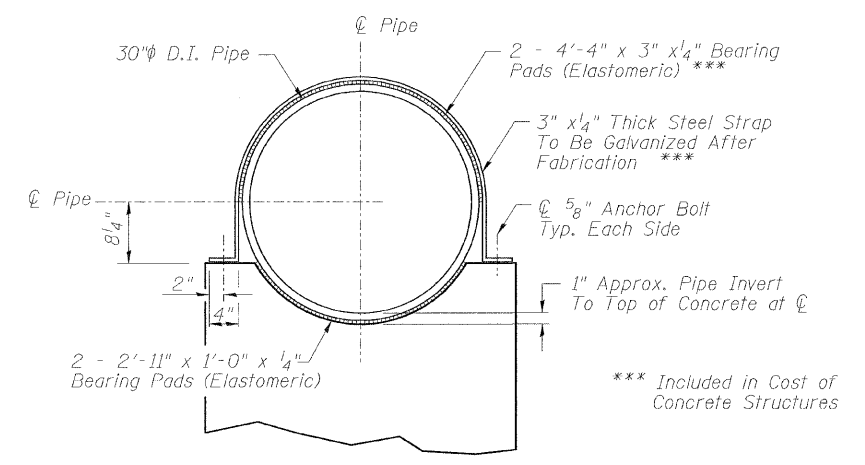
**SEWER PIPE PIERS
BILL OF MATERIAL**

Bar	No.	Size	Length	Shape
d20(E)	16	#4	3'-2"	┌
p21(E)	80	#5	3'-2"	—
s22(E)	32	#4	7'-5"	□
s23(E)	8	#4	8'-5"	□
s24(E)	40	#4	5'-2"	○
* SP20	1	#4	33'-5"	WWM
* SP21	1	#4	35'-0"	WWM
* SP22	8	#4	31'-10"	WWM
t20(E)	8	#4	3'-8"	—
u20(E)	58	#4	4'-10"	┌
v20	6	#8	35'-2"	—
v21	6	#8	36'-9"	—
v22	48	#8	31'-10"	—
v23(F)	48	#8	11'-0"	—
v24(E)	4	#4	6'-4"	—
v25(E)	4	#4	5'-7"	—
v26(E)	4	#4	3'-8"	—
v27(F)	4	#4	2'-11"	—
v28(E)	80	#4	2'-4"	—
w20(E)	8	#4	3'-8"	—
Concrete Structures		Cu. Yd.	11.6	
Drilled Shafts in Soil		Cu. Yd.	37.8	
Structure Excavation		Cu. Yd.	16.6	
Reinforcement Bars		Pound	6,770	
Reinforcement Bars, Epoxy Coated		Pound	2,450	
Anchor Bolts 5/8"φ		Each	24	

* Length is height of spiral.



ANCHOR BOLT DETAIL



STRAP AND BEARING PAD DETAIL

URS
345 EAST ASH AVENUE, SUITE B
DECATUR, ILLINOIS 62526
PH. 217-875-4800