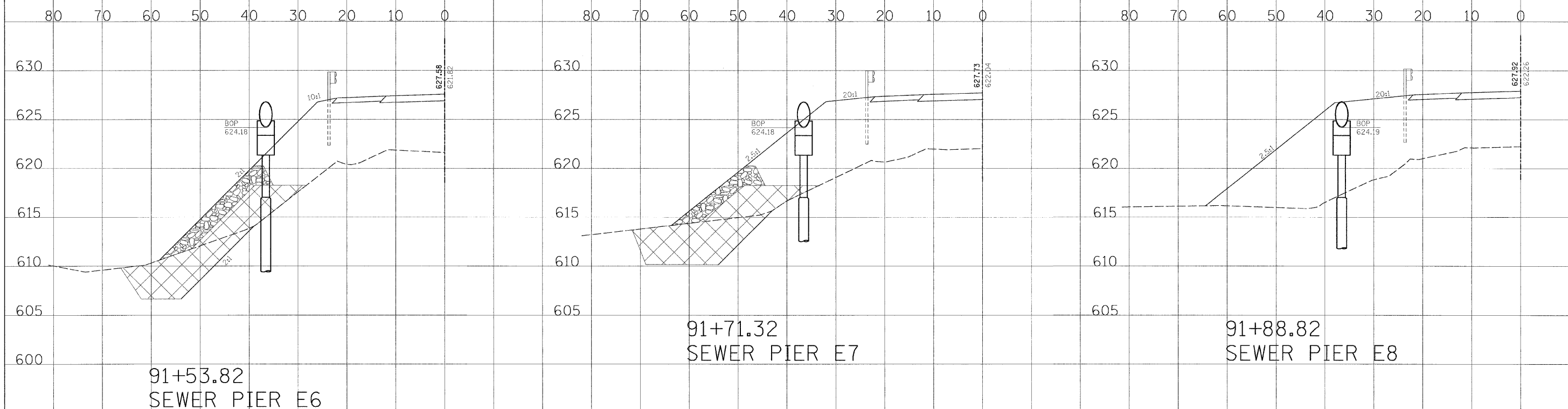
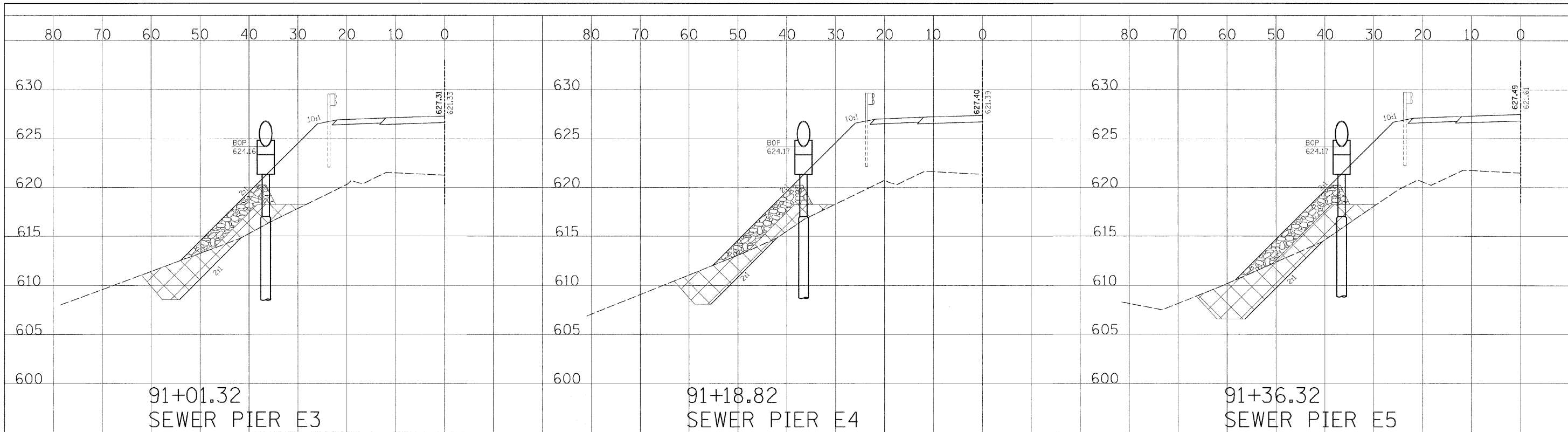


FINAL	DATE
SURVEY	BY
NOTED	
BOOK	
NO.	
TEMP	
PLATE	
AREAS	
CHECKED	

ORIGINAL	DATE
SURVEY	BY
NOTED	
BOOK	
NO.	
TEMP	
PLATE	
AREAS	
CHECKED	



SCALE
VERT.: 1" = 5'
HORZ.: 1" = 10'

FILE NAME =	USER NAME = Brian K. Nicholson	DESIGNED - KWB	REVISED -	STATE OF ILLINOIS DEPARTMENT OF TRANSPORTATION	CROSS SECTIONS AT SANITARY SEWER PIPE SUPPORTS	RTE.	SECTION	CITY	TOTAL SHEETS	SHEET NO.	
#FILE#		DRAWN - BKN	REVISED -			FAU 7398	09-00905-00-BR	DECATUR	63	29	
PLOT SCALE = \$SCALE#		CHECKED - KWB	REVISED -			CONTRACT NO. 95687					
PLOT DATE = \$DATE#		DATE -	REVISED -			SCALE: AS SHOWN	SHEET NO. 2 OF 3 SHEETS	STA. 91+01.32 TO STA. 91+88.82	FED. ROAD DIST. NO. [ILLINOIS] FED. AID PROJECT#		