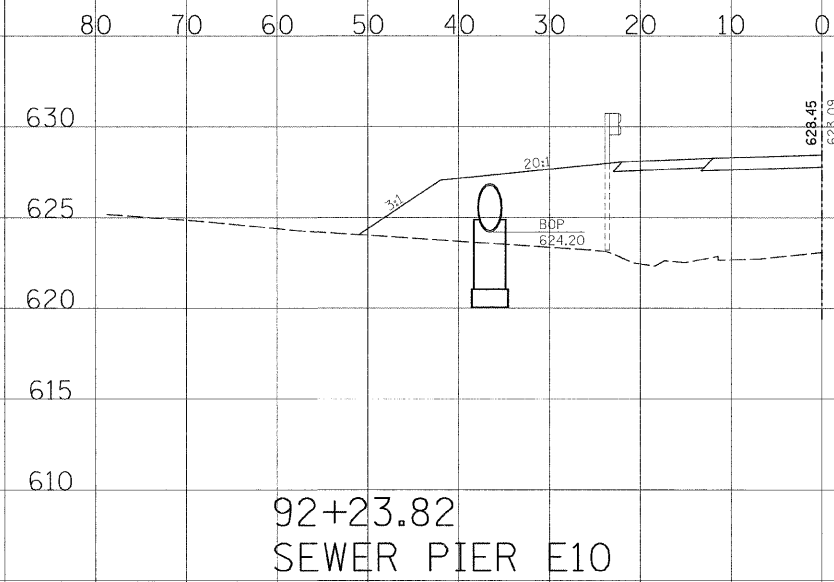
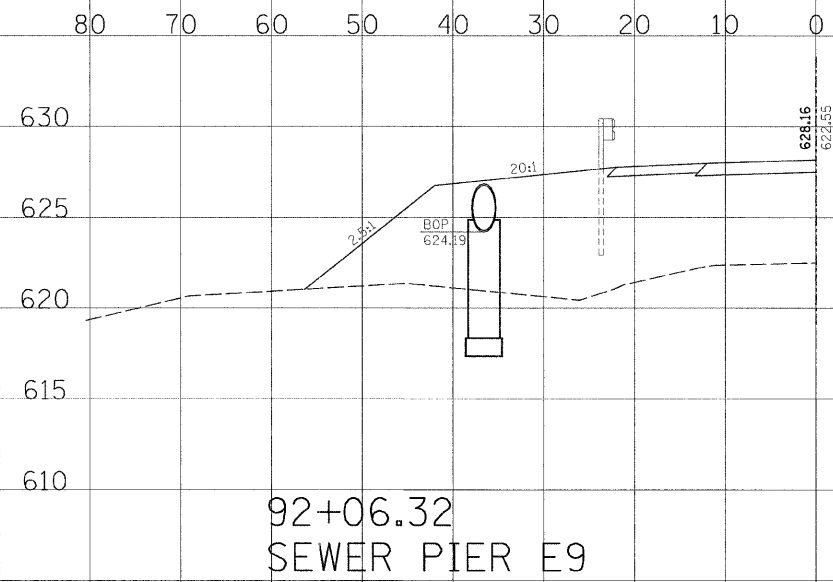


FINAL SURVEY	SURVEYED	DATE
NOTE BOOK	NOTED	BY
NO.	AREAS CHECKED	
	AREAS CHECKED	

ORIGINAL SURVEY	SURVEYED	DATE
NOTE BOOK	NOTED	BY
NO.	AREAS CHECKED	
	AREAS CHECKED	



SCALE
VERT.: 1" = 5'
HORZ.: 1" = 10'

FILE NAME =	USER NAME = Brian K. Nicholson	DESIGNED - KWB	REVISED - ---
#FILEL#		DRAWN - BKN	REVISED - ---
		CHECKED - KWB	REVISED - ---
		DATE -	REVISED - ---

**STATE OF ILLINOIS
DEPARTMENT OF TRANSPORTATION**

CROSS SECTIONS AT SANITARY SEWER PIPE SUPPORTS

SCALE: AS SHOWN SHEET NO. 3 OF 3 SHEETS STA. 92+06.32 TO STA. 92+23.82

RTE.	SECTION	CITY	TOTAL SHEETS	SHEET NO.
FAU 7398	09-00905-00-BR	DECATUR	63	30
CONTRACT NO. 95687				
FED. ROAD DIST. NO. [ILLINOIS] FED. AID PROJECT:				