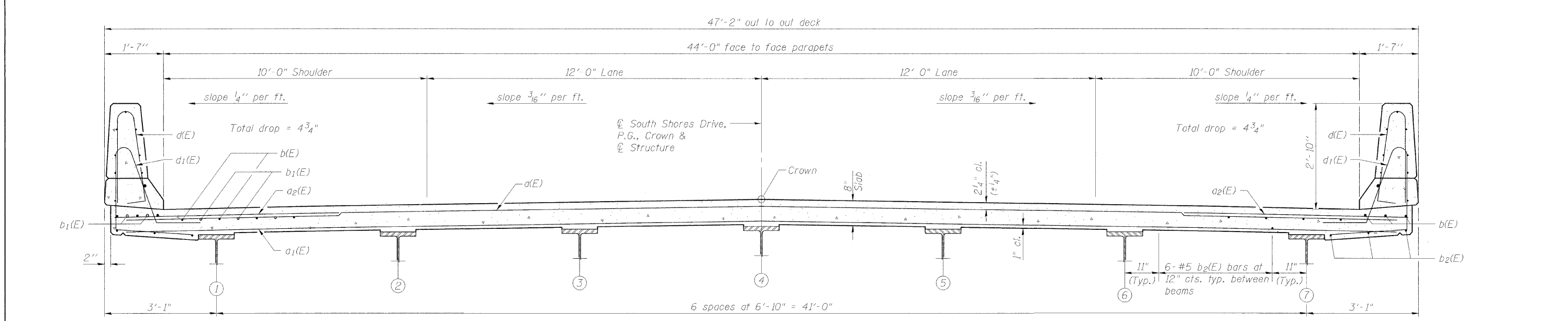


PARTIAL PLAN

Notes:
 See Sheet 7 of 22 for superstructure details and Bill of Material.
 Bars indicated thus 20 x 3-#5 etc. indicates 20 lines of bars with 3 lengths per line.
 See Sheet 7 of 22 for parapet reinforcement.
 See Sheet 8 of 22 for Section A-A.



CROSS SECTION
(Looking East)

URS
 345 EAST ASH AVENUE, SUITE B
 DECATUR, ILLINOIS 62526
 PH. 217-875-4800

FILE NAME =	USER NAME = Brian K. Nicholson	DESIGNED - MJP	REVISD -	STATE OF ILLINOIS DEPARTMENT OF TRANSPORTATION	SUPERSTRUCTURE STRUCTURE NO. 058-6026	F.A.U. RTE. 1398	SECTION 09-00905-00-BR	COUNTY MACON	TOTAL SHEETS 63	SHEET NO. 36
PLOT SCALE =	DRAWN - BKN	REVISD -	ILLINOIS FED. AID PROJECT							
PLOT DATE =	CHECKED - KWB	REVISD -								