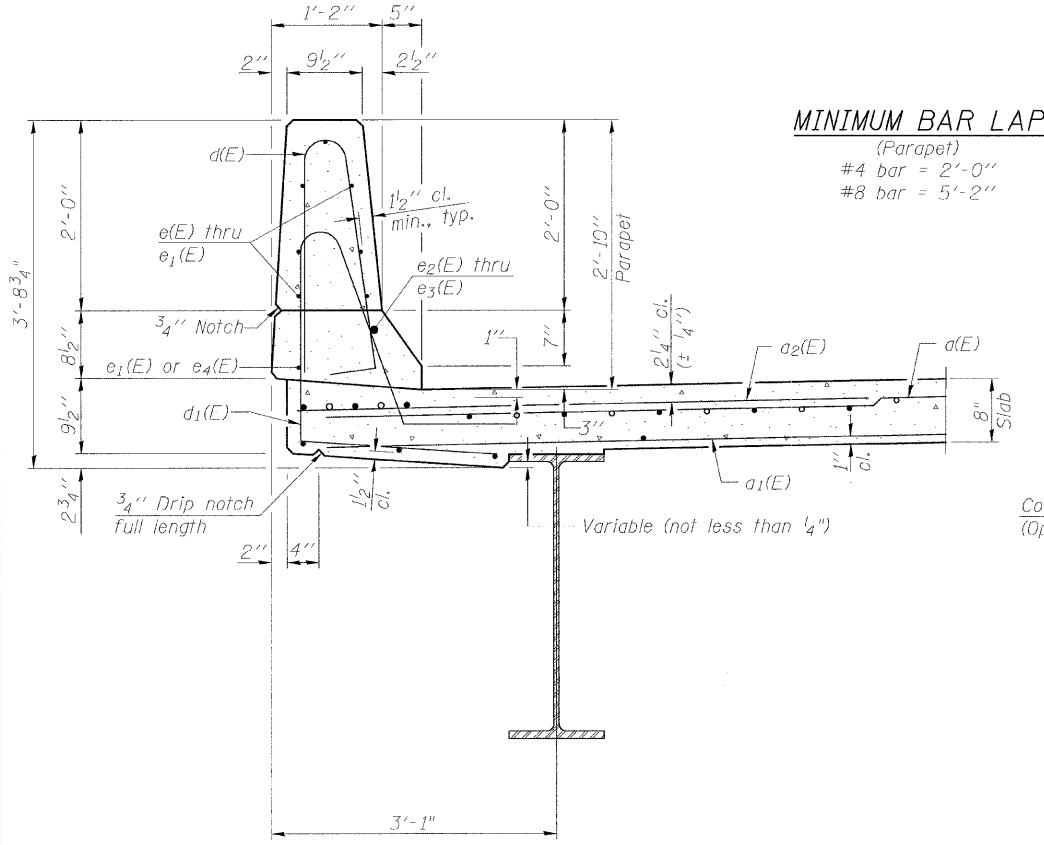


INSIDE ELEVATION OF PARAPET

SUPERSTRUCTURE
BILL OF MATERIAL

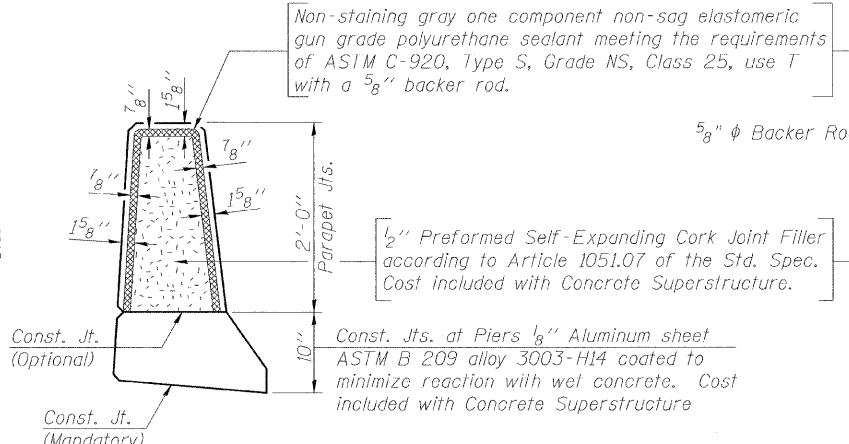
Bar	No.	Size	Length	Shape
a(E)	530	#5	21'-7"	—
a1(E)	480	#5	17'-3"	—
a2(E)	528	#6	6'-6"	—
b(E)	250	#5	28'-7"	—
b1(E)	47	#6	37'-8"	—
b2(E)	252	#5	24'-3"	—
d(E)	290	#5	5'-7"	⌒
d1(E)	290	#5	7'-8"	⌒
e(E)	84	#4	18'-6"	—
e1(E)	32	#4	9'-5"	—
e2(E)	8	#8	30'-8"	—
e3(E)	4	#8	9'-5"	—
e4(E)	12	#4	20'-1"	—
m(E)	10	#6	46'-10"	—
m1(E)	28	#6	10'-2"	—
m2(E)	12	#6	6'-6"	—
m3(E)	4	#6	2'-11"	—
s(E)	96	#5	5'-5"	⌒
s1(E)	84	#4	8'-0"	⌒
v(E)	96	#5	3'-10"	⌒
Reinforcement Bars, Epoxy Coated		Pound	52,680	
Concrete Superstructure		Cu. Yds.	218.5	

Bars indicated thus 1 x 3- #5 etc. indicates 1 line of bars with 3 lengths per line.



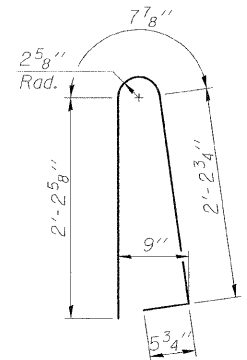
SECTION THRU PARAPET

MINIMUM BAR LAP
(Parapet)
#4 bar = 2'-0"
#8 bar = 5'-2"

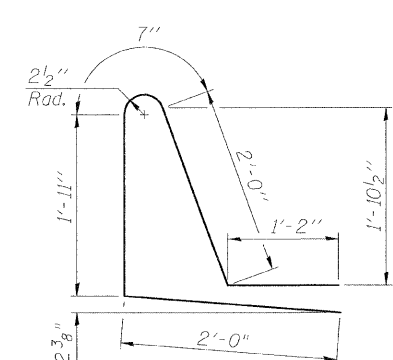


PARAPET JOINT DETAILS

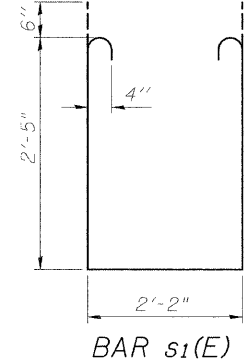
Notes:
The exterior surfaces of the floor drains shall be painted with the finish coat as specified in the special provisions for Cleaning and Painting New Metal Structures. The exterior surfaces of the drains shall be cleaned according to Society of Protective Coatings Spec. SSPC-SP1 prior to painting.
Fiberglass pipe shall conform to ASTM D 2996, with short-time rupture strength hoop tensile stress of 30,000 p.s.i. minimum.
Galvanize clamping device according to AASHTO M232. Cost of clamping device and inserts is included with Floor Drains.



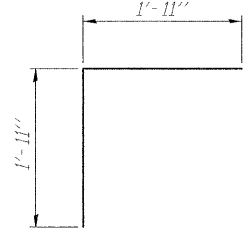
BAR d(E)



BAR d1(E)



BAR s1(E)



BAR v(E)

S-I-D 7-1-10

FILE NAME =	USER NAME = Brian K. Nicholson	DESIGNED - MJP	REVISED -
		CHECKED - KWB	REVISED -
		DRAWN - BKN	REVISED -
		CHECKED - KWB	REVISED -

STATE OF ILLINOIS
DEPARTMENT OF TRANSPORTATION

SUPERSTRUCTURE DETAILS
STRUCTURE NO. 058-6026

SHEET NO. 7 OF 22 SHEETS

F.A.U. RTE.	SECTION	COUNTY	TOTAL SHEETS	SHEET NO.
7398	09-00905-00-BR	MACON	63	37
			CONTRACT NO. 95687	

URS
345 EAST ASH AVENUE, SUITE B
DECATUR, ILLINOIS 62526
PH. 217-875-4800

ILLINOIS FED. AID PROJECT