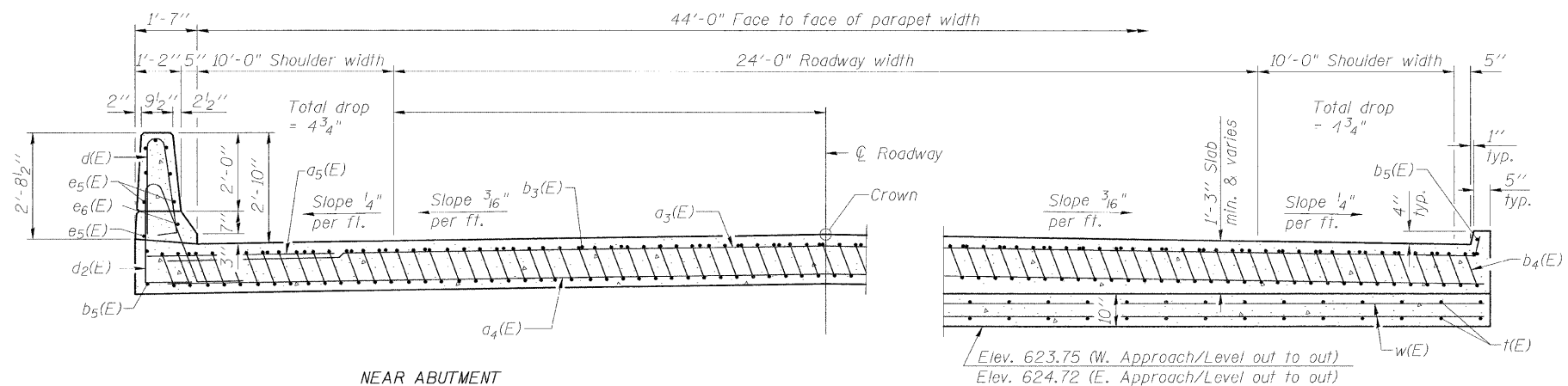


SECTION C-C

* Till #9 b₄(E) bars as required to maintain clearance.

*** Cost included with Concrete Superstructure.

*** 10 mil. Polyethylene bond breaker on steel trowel finish

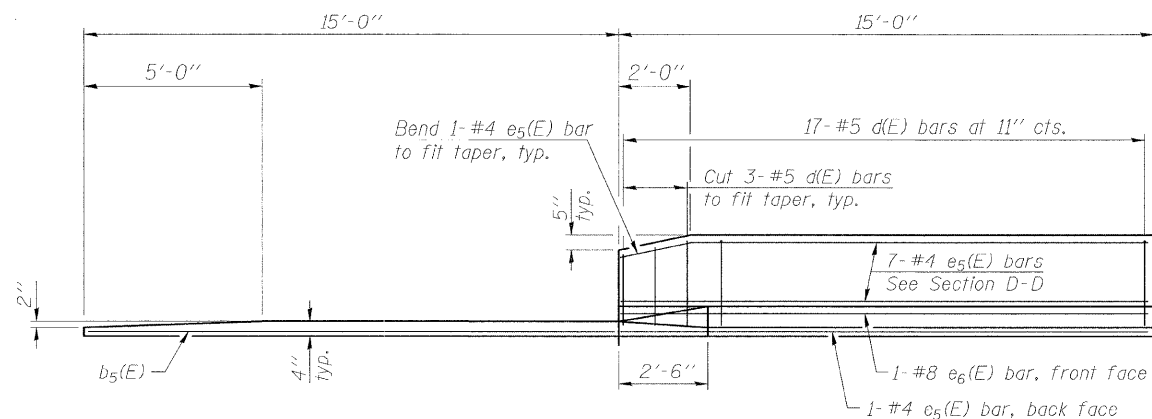


NEAR ABUTMENT

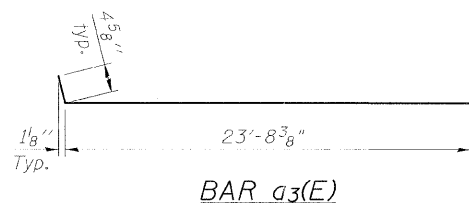
SECTION D-D

(See Plan for dimensions not shown)

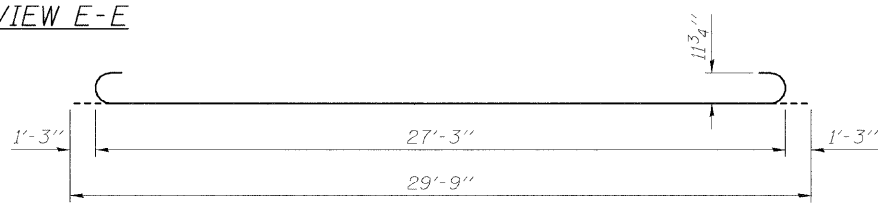
AT APPROACH FOOTING



VIEW E-E



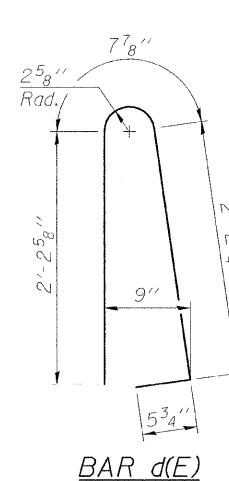
BAR a₃(E)



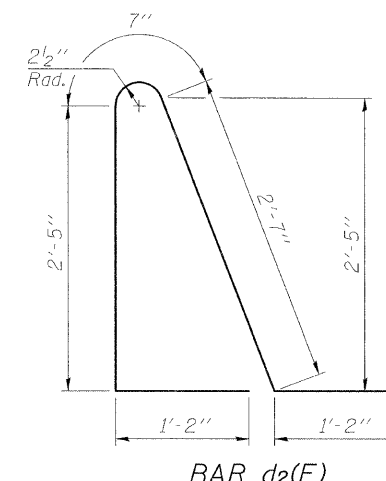
BAR b₄(E)

Notes:

- See sheet 9 of 22 for Detail A and View B-B.
- Approach slab and parapet concrete shall be paid for as Concrete Superstructure.
- Approach footing concrete shall be paid for as Concrete Structures.
- Reinforcement shall be paid for as Reinforcement Bars, Epoxy Coated.
- For v(E) bar details, see sheet 7 of 22.
- The approach footing maximum applied service bearing pressure (Q_{max}) = 2.0 ksf.
- For bar splicer details, see sheet 17 of 22.
- Cost of excavation for approach footing included with Concrete Structures.
- For Porous Granular Embankment (Special) and drainage treatment details, see sheet 2 of 22.
- For additional parapet details, see sheet 7 of 22.



BAR d(E)



BAR d₂(E)

**TWO APPROACHES
BILL OF MATERIAL**

Bar	No.	Size	Length	Shape
a ₂ (E)	48	#6	6'-6"	—
a ₃ (E)	100	#4	24'-1"	—
a ₄ (E)	184	#5	24'-0"	—
b ₃ (E)	74	#4	29'-8"	—
b ₄ (E)	220	#9	29'-9"	—
b ₅ (E)	8	#4	14'-8"	—
d(E)	68	#5	5'-7"	—
d ₂ (E)	68	#5	7'-11"	—
e ₅ (E)	32	#4	14'-8"	—
e ₆ (E)	4	#8	14'-8"	—
t(E)	184	#4	9'-8"	—
w(E)	80	#5	45'-6"	—
Concrete Superstructure		Cu. Yd.	141.9	
Concrete Structures		Cu. Yd.	28.3	
Reinforcement Bars, Epoxy Coated		Pound	36,900	

BA-0

7-1-10