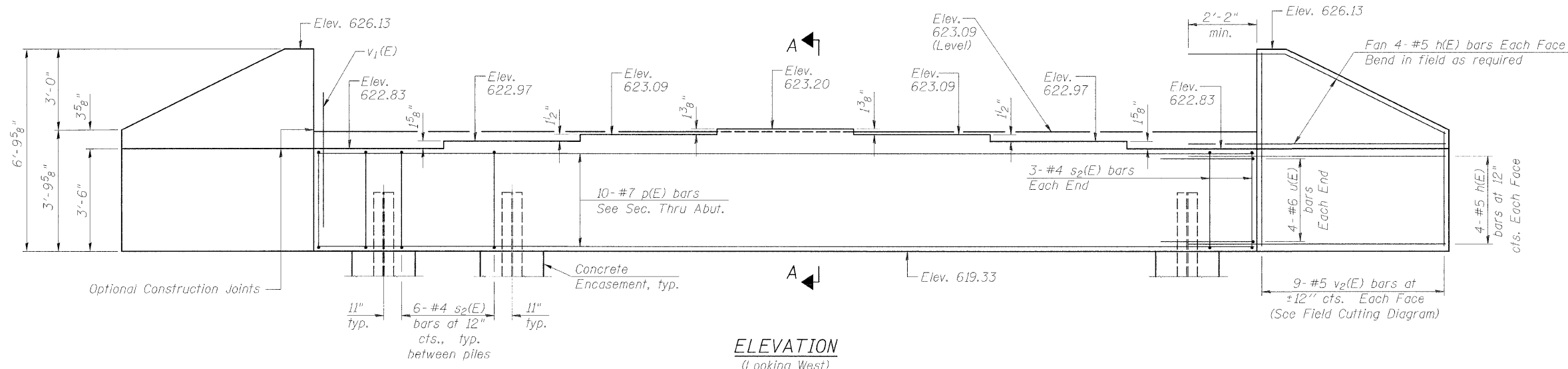
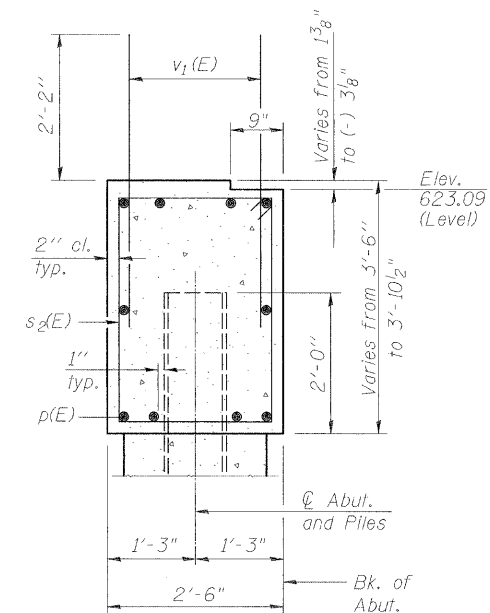


**Notes:**

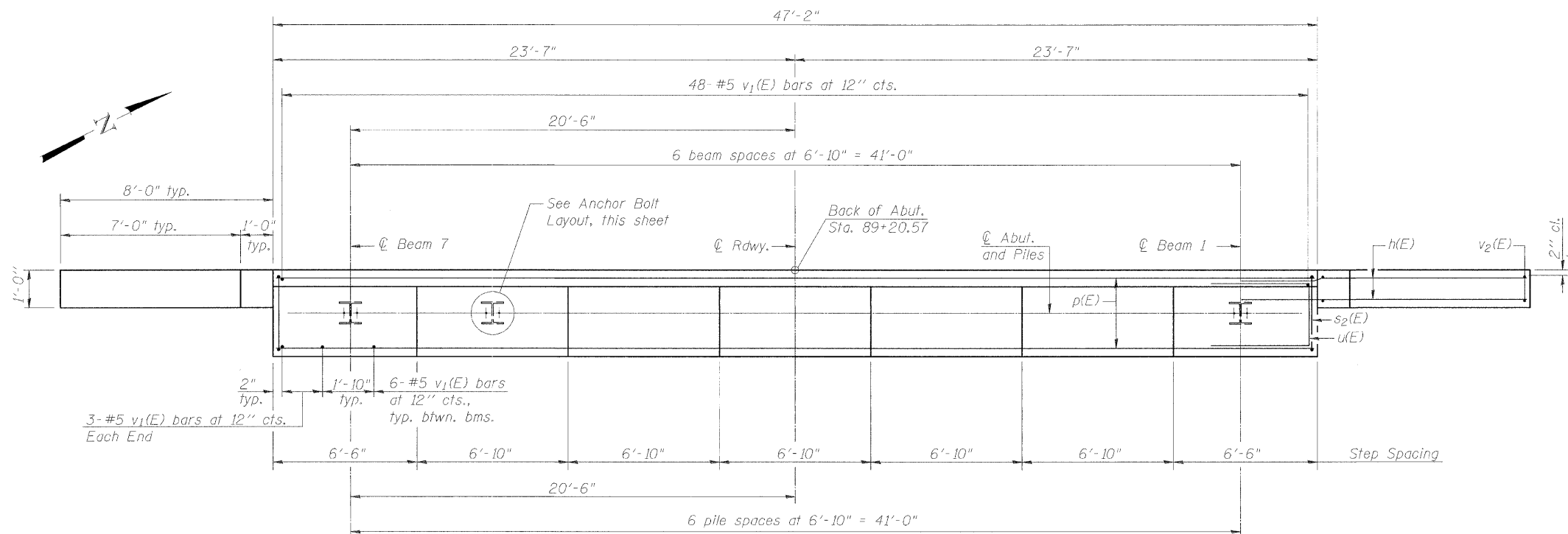
Pour steps monolithically with cap.  
 The Contractor shall limit the pile hammer size selected considering the relatively high soil strengths indicated in the borings and avoid overdriving the piles beyond their nominal required bearing to prevent pile damage during driving.



**ELEVATION**  
(Looking West)



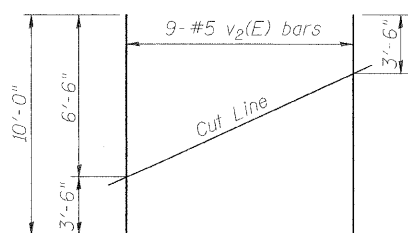
**SEC. A-A**



**PLAN**

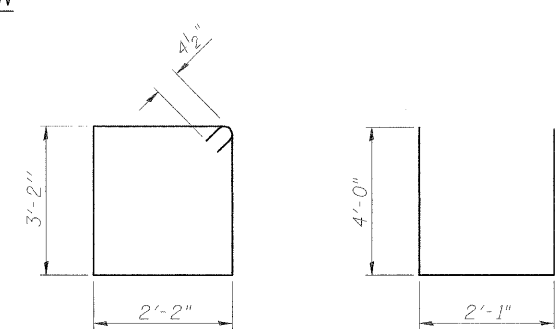
**PILE DATA**

Type: Steel HP12x53  
 Nominal Required Bearing: 285 kips  
 Factored Resistance Available: 157 kips  
 Est. Length: 44'-0"  
 No. Production Piles: 6  
 No. Test Piles: 1



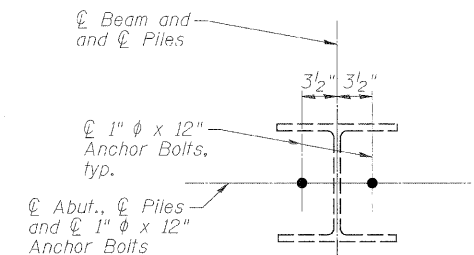
**FIELD CUTTING DIAGRAM**

Order v2(E) full length. Cut as shown and use remainder of bars in opposite face.



**BAR s2(E)**

**BAR u(E)**



**ANCHOR BOLT LAYOUT**

**BILL OF MATERIAL**

Bar	No.	Size	Length	Shape
h(E)	32	#5	10'-8"	—
p(E)	10	#7	46'-10"	—
s2(E)	42	#4	11'-5"	□
u(E)	8	#6	10'-1"	□
v1(E)	90	#5	4'-4"	—
v2(E)	18	#5	10'-0"	—
Structure Excavation			Cu. Yd.	44.3
Concrete Structures			Cu. Yd.	19.4
Reinforcement Bars, Epoxy Coated			Pound	2350
Furnishing Steel Piles HP12x53			Foot	264
Driving Piles			Foot	264
Test Pile Steel HP12x53			Each	1
Concrete Encasement			Cu. Yd.	2.35

For details of Bar Splicers, see sheet 17 of 22.  
 For details of piles and Concrete Encasement, see sheet 16 of 22.

AI-0

7-1-10

FILE NAME =	USER NAME = Brian K. Nicholson	DESIGNED - MJP	REVISED -
		CHECKED - KWB	REVISED -
		DRAWN - BKN	REVISED -
		CHECKED - KWB	REVISED -

**STATE OF ILLINOIS**  
**DEPARTMENT OF TRANSPORTATION**

**WEST ABUTMENT**  
**STRUCTURE NO. 058-6026**

SHEET NO. 13 OF 22 SHEETS

F.A.U. RTE.	SECTION	COUNTY	TOTAL SHEETS	SHEET NO.
7398	09-00905-00-BR	MACON	63	43
			CONTRACT NO. 95687	
ILLINOIS FED. AID PROJECT				

**URS**

345 EAST ASH AVENUE, SUITE B  
 DECATUR, ILLINOIS 62526  
 PH. 217-875-4800