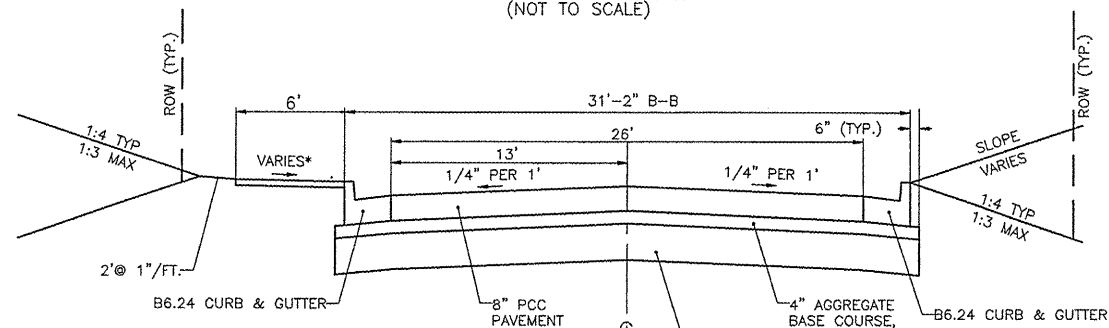


EAST FAIRGROUNDS AVENUE  
50' R.O.W.

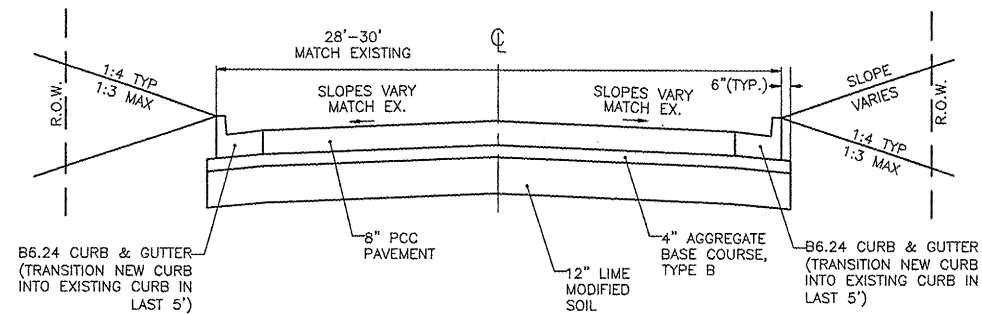
WITT MILL ROAD  
45' R.O.W.  
(NOT TO SCALE)



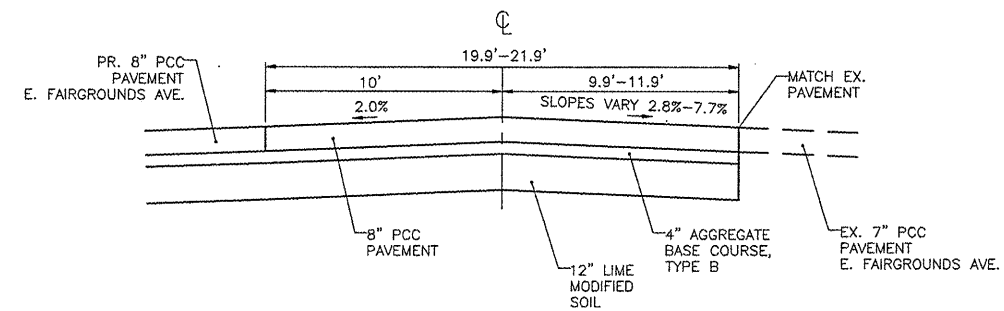
- \*NOTE:
- 1/8"/FT. (MIN.) - SPECIFIC LOCATIONS TO PROMOTE DRAINAGE.
  - 1/4"/FT. (MAX.) - ALONG MAJORITY OF PROJECT.
  - 1/8"/FT. TO -1/4"/FT. - IN SPECIFIC LOCATIONS TO REDUCE SLOPE TIE-INS.

SIDE STREETS WITH  
P.C.C. OR HMA PAVEMENT  
50' R.O.W.

REDDISH DR. (HMA)  
FREEDOM LANE (PCC)  
RIDGE POINT DR. (PCC)  
(NOT TO SCALE)

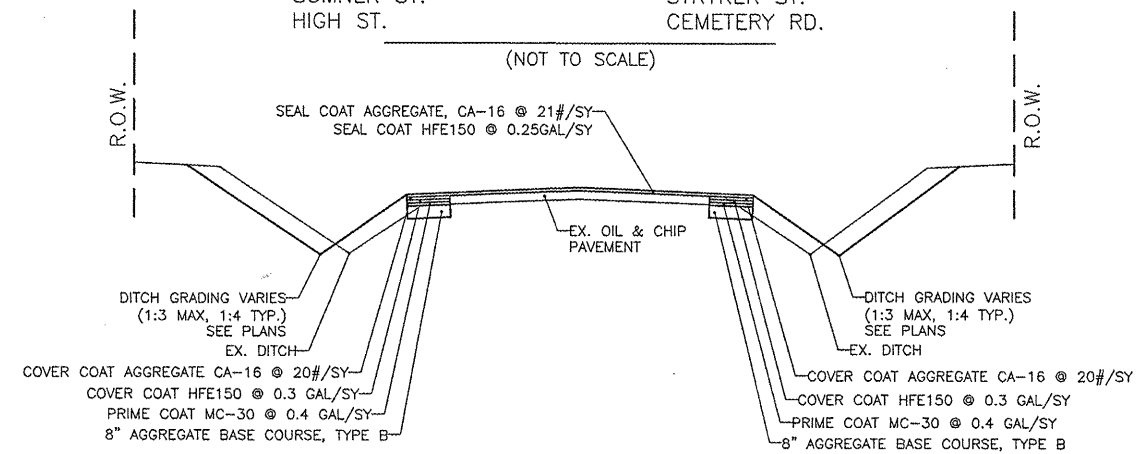


CEMETERY ROAD  
45' R.O.W.  
(NOT TO SCALE)



SIDE STREETS WITH  
OIL AND CHIP PAVEMENT  
R.O.W. VARIES 40' - 60'

WITT MILL RD. OAKWOOD PLACE  
FOREST ST. GIDDINGS ST.  
BERTMAN AVE. LOCKE ST.  
SUMNER ST. STRYKER ST.  
HIGH ST. CEMETERY RD.



FILE NAME = 00140-321	USER NAME = Horgan, Chris	DESIGNED - BJG	REVISED -
		DRAWN - BJG	REVISED -
	PLOT SCALE = 1:2	CHECKED - DLK	REVISED -
	PLOT DATE = 3/9/2012	DATE - 3/9/12	REVISED -

STATE OF ILLINOIS  
DEPARTMENT OF TRANSPORTATION

PROPOSED TYPICAL SECTIONS

SCALE: NA SHEET NO. 7 OF 117 SHEETS STA. NA TO STA. NA

F.A.U. RTE.	SECTION	COUNTY	TOTAL SHEETS	SHEET NO.
B801	05-00034-01-RP	JERSEY	117	7
CONTRACT NO. 97371				

FED. ROAD DIST. NO. 8 ILLINOIS