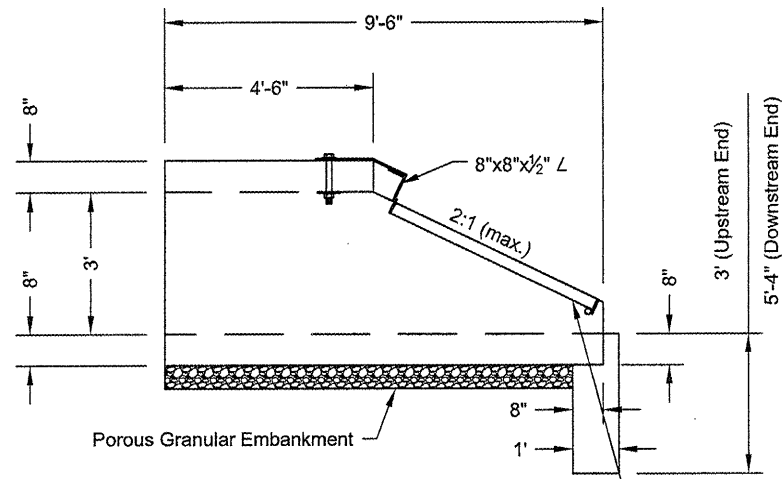
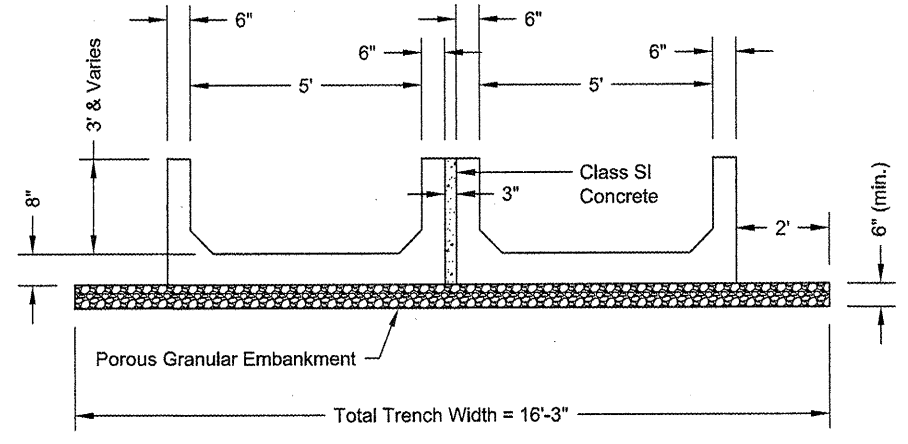


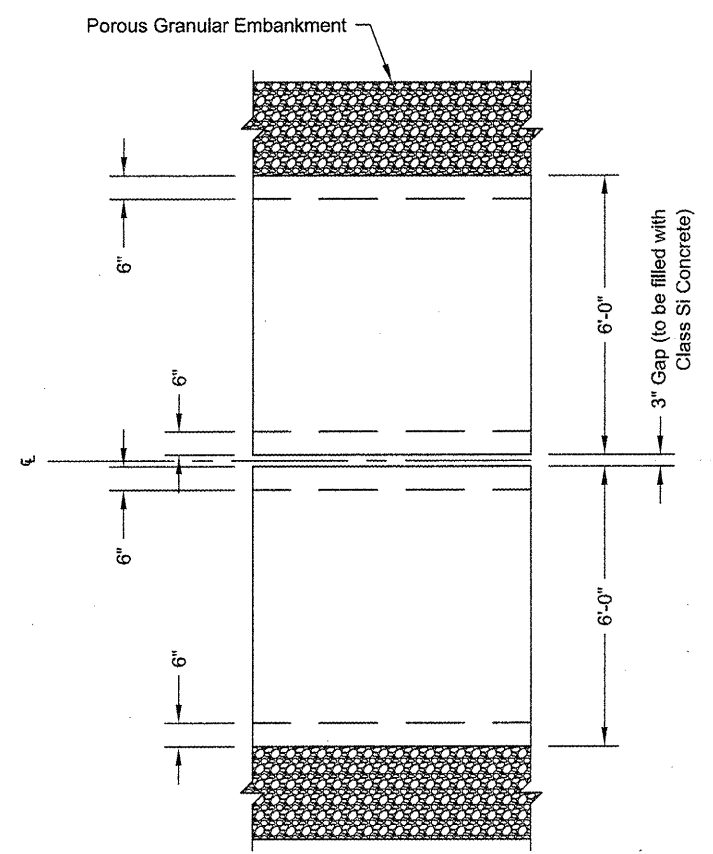
SECTION THRU BARRELS



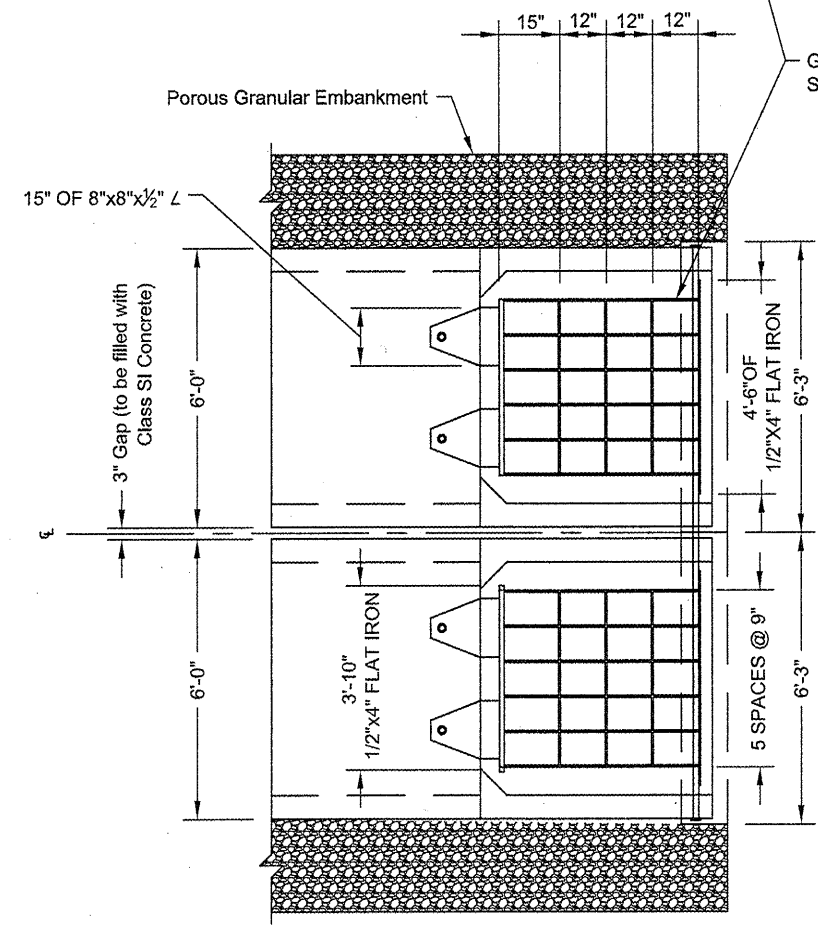
END SECTION ELEVATION



SECTION THRU END SECTIONS

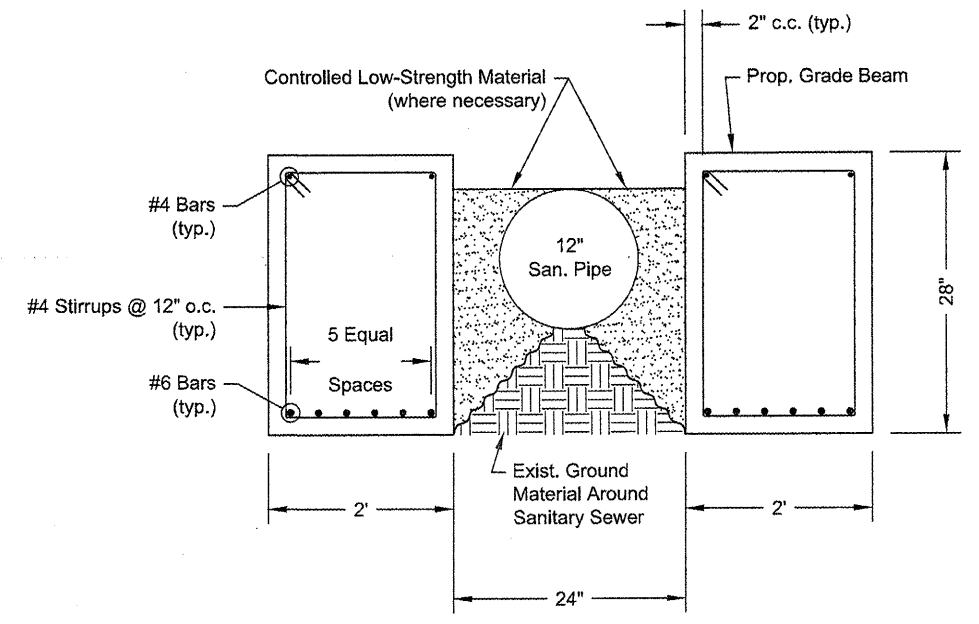


BARREL PLAN



END SECTION PLAN

GRATING FOR END SECTION  
SEE STD 542311 FOR ADDITIONAL DETAILS



GRADE BEAM DETAIL

FILE NAME = 00140-321	USER NAME = Vogt, Jim	DESIGNED - BJB	REVISED -
		DRAWN - BJB	REVISED -
	PLOT SCALE = 1:2	CHECKED - DLK	REVISED -
	PLOT DATE = 5/9/2012	DATE - 3/28/12	REVISED -

STATE OF ILLINOIS  
DEPARTMENT OF TRANSPORTATION

DUAL PRECAST CONCRETE BOX CULVERTS 5'x3'

SCALE: NA SHEET NO. 76 OF 117 SHEETS STA. NA TO STA. NA

F.A.U. RTE.	SECTION	COUNTY	TOTAL SHEETS	SHEET NO.
8801	05-00034-01-RP	JERSEY	117	76
CONTRACT NO. 97371				