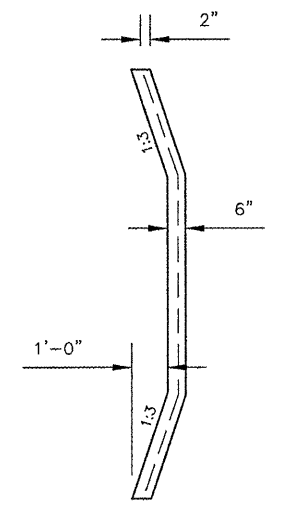
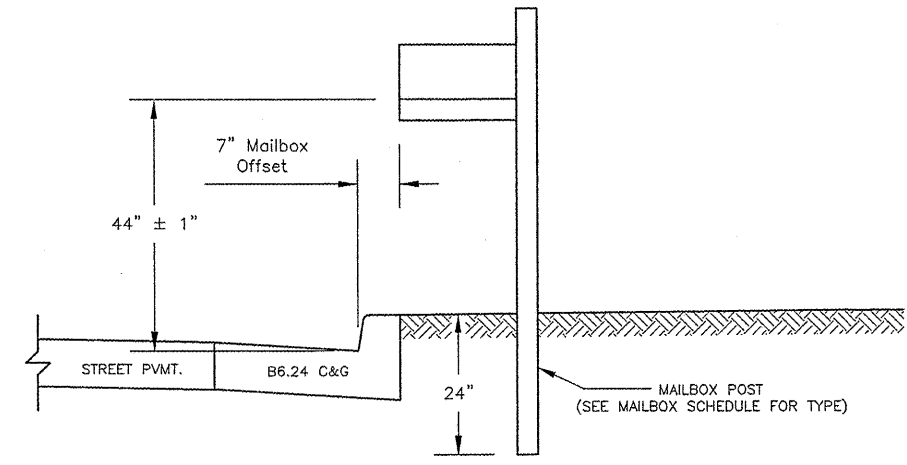


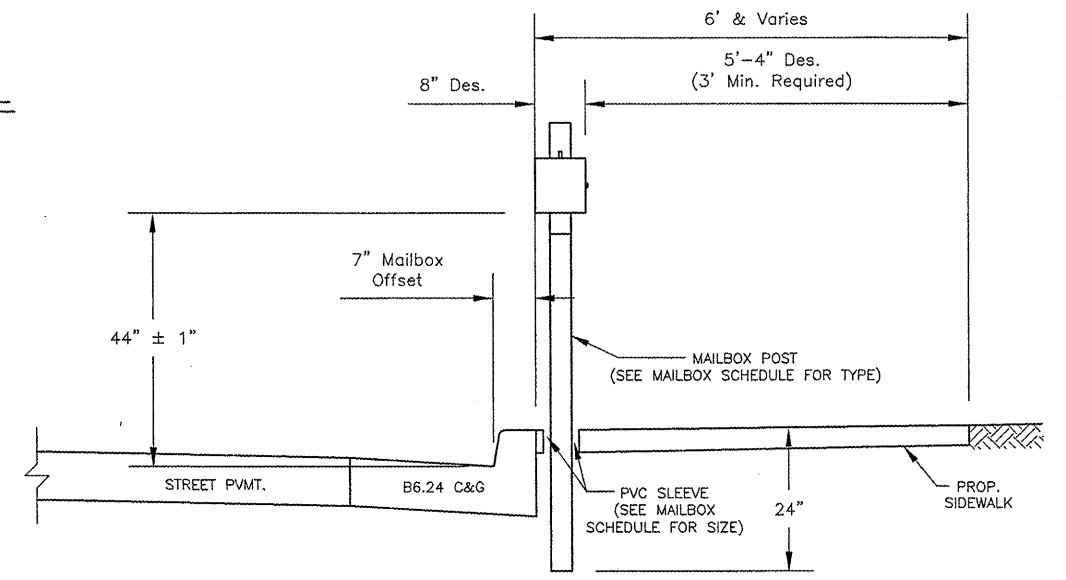
PLAN VIEW



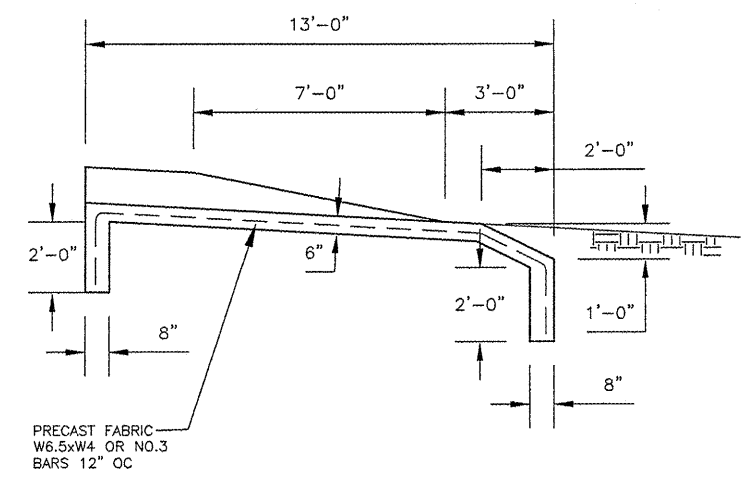
UP STREAM SECTION



STANDARD MAILBOX DETAIL
(NOT TO SCALE)

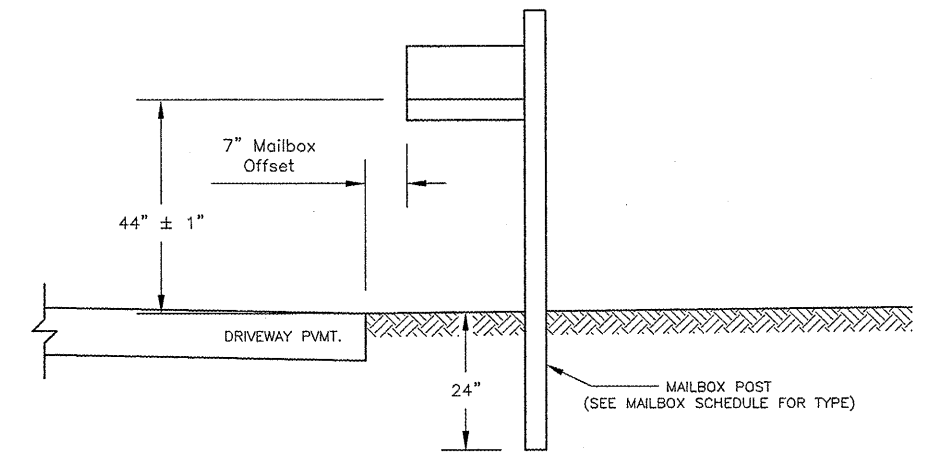


ROTATED MAILBOX DETAIL
(NOT TO SCALE)



SIDE VIEW

PCC PAD SPECIAL
(NOT TO SCALE)



STANDARD MAILBOX DETAIL ADJACENT TO DRIVEWAY
(NOT TO SCALE)

FILE NAME = 00140-321	USER NAME = Hargan, Chris	DESIGNED - BJB	REVISED -	STATE OF ILLINOIS DEPARTMENT OF TRANSPORTATION	DETAILS	F.A.U. RTE.	SECTION	COUNTY	TOTAL SHEETS	SHEET NO.
	PLOT SCALE = 1:2	DRAWN - BJB	REVISED -			8801	05-00034-01-RP	JERSEY	117	79
	PLOT DATE = 3/22/2012	CHECKED - DLK	REVISED -			CONTRACT NO. 97371				
	PLOT DATE = 3/22/2012	DATE - 3/28/12	REVISED -			FED. ROAD DIST. NO. 8 ILLINOIS				
					SCALE: NA	SHEET NO. 79 OF 117 SHEETS		STA. NA	TO STA. NA	