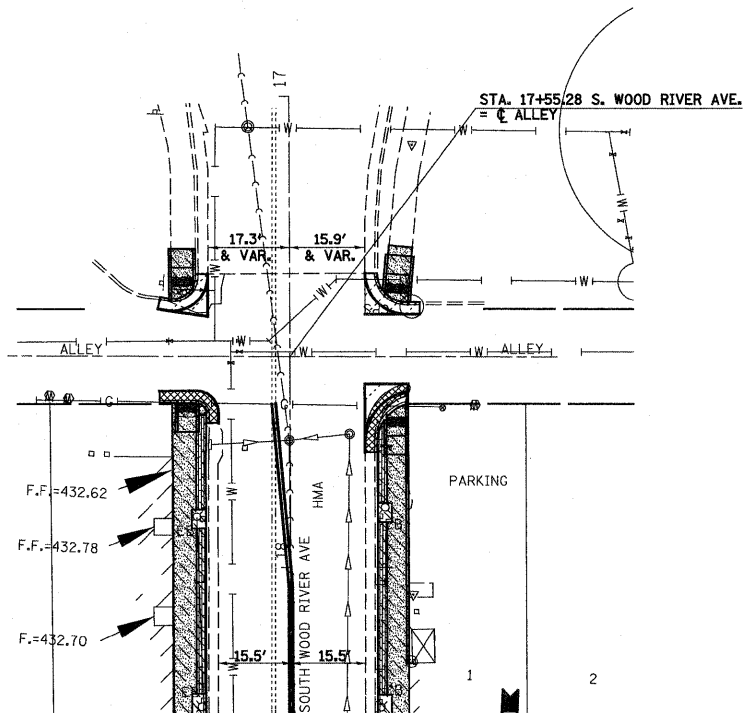
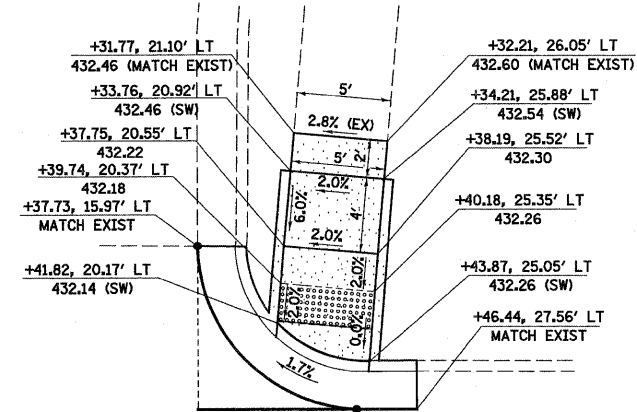


ALLEY
SOUTHEAST QUADRANT

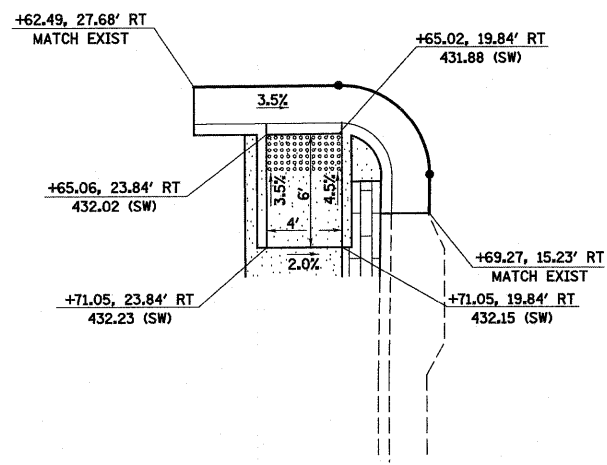
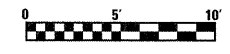


SIDEWALK AND RAMP DETAILS
SOUTH WOOD RIVER AVE AT ALLEY STA 17+55.28

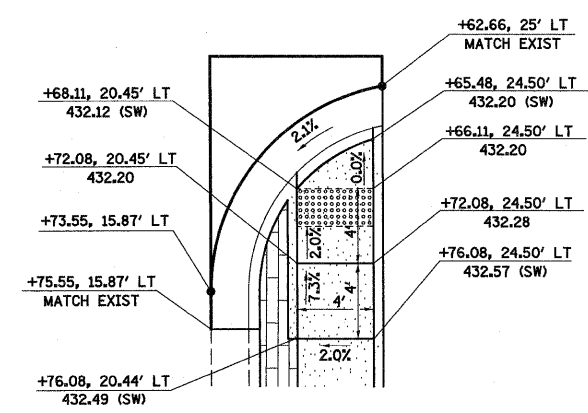
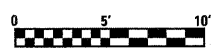
NOTES:
ALL STA/OFF FROM SOUTH WOOD RIVER AVENUE
FLAG OF PROPOSED TYPE B-6.24 CURB & GUTTER TO MATCH ELEVATION OF EXISTING PAVEMENT.



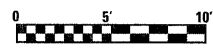
ALLEY
SOUTHWEST QUADRANT



NORTHEAST QUADRANT



NORTHWEST QUADRANT



• FAU ROUTE 8971 & FAU ROUTE 9006
WOOD RIVER STREETScape PHASE 1

FILE NAME =	USER NAME = l1rnda	DESIGNED - JWS	REVISED -	CITY OF WOOD RIVER	WOOD RIVER STREETScape SIDEWALK AND RAMP DETAILS			F.A.U. RTE.	SECTION	COUNTY	TOTAL SHEETS	SHEET NO.
S:\Projects\10-0001-DIV Wood River Streetscape\dgn\phase1.dgn\velco det sh1a.dgn		DRAWN - BAB	REVISED -		SCALE:	SHEET NO. 3 OF 4 SHEETS	STA.	TO STA.	10-00047-01-LS	MADISON	75	21
	PLOT SCALE = 40,0000' / 1" =	CHECKED - BRM	REVISED -		CONTRACT NO. 97477							
	PLOT DATE = 4/13/2012	DATE - 6-1-2011	REVISED -		FED. ROAD DIST. NO. ILLINOIS FED. AID PROJECT							