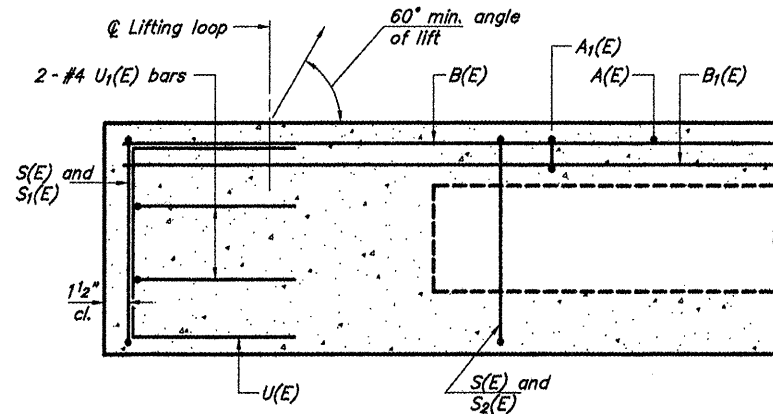
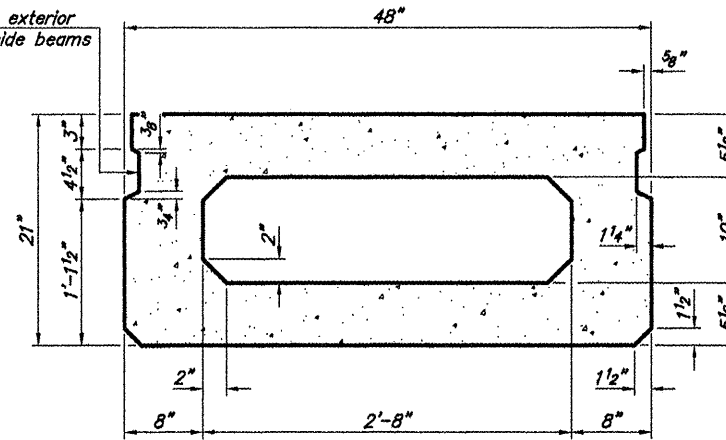


ROUTE	SECTION	COUNTY	TOTAL SHEETS	SHEET NO
TR 93	00-01199-00-BR	MASSAC	18	5
PROJECT NO. BROS-127(18)			CONTRACT NO. 99438	

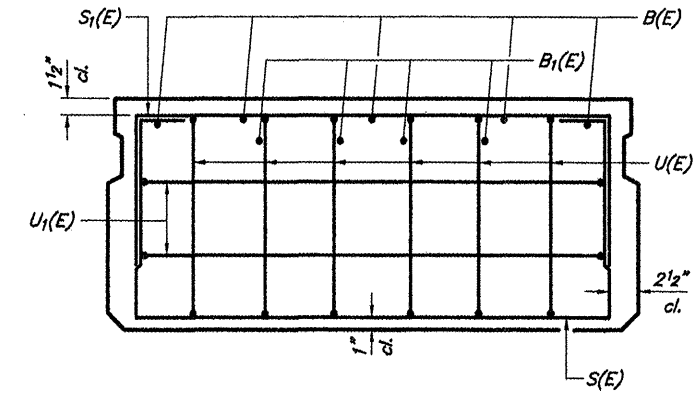


**SECTION C-C**

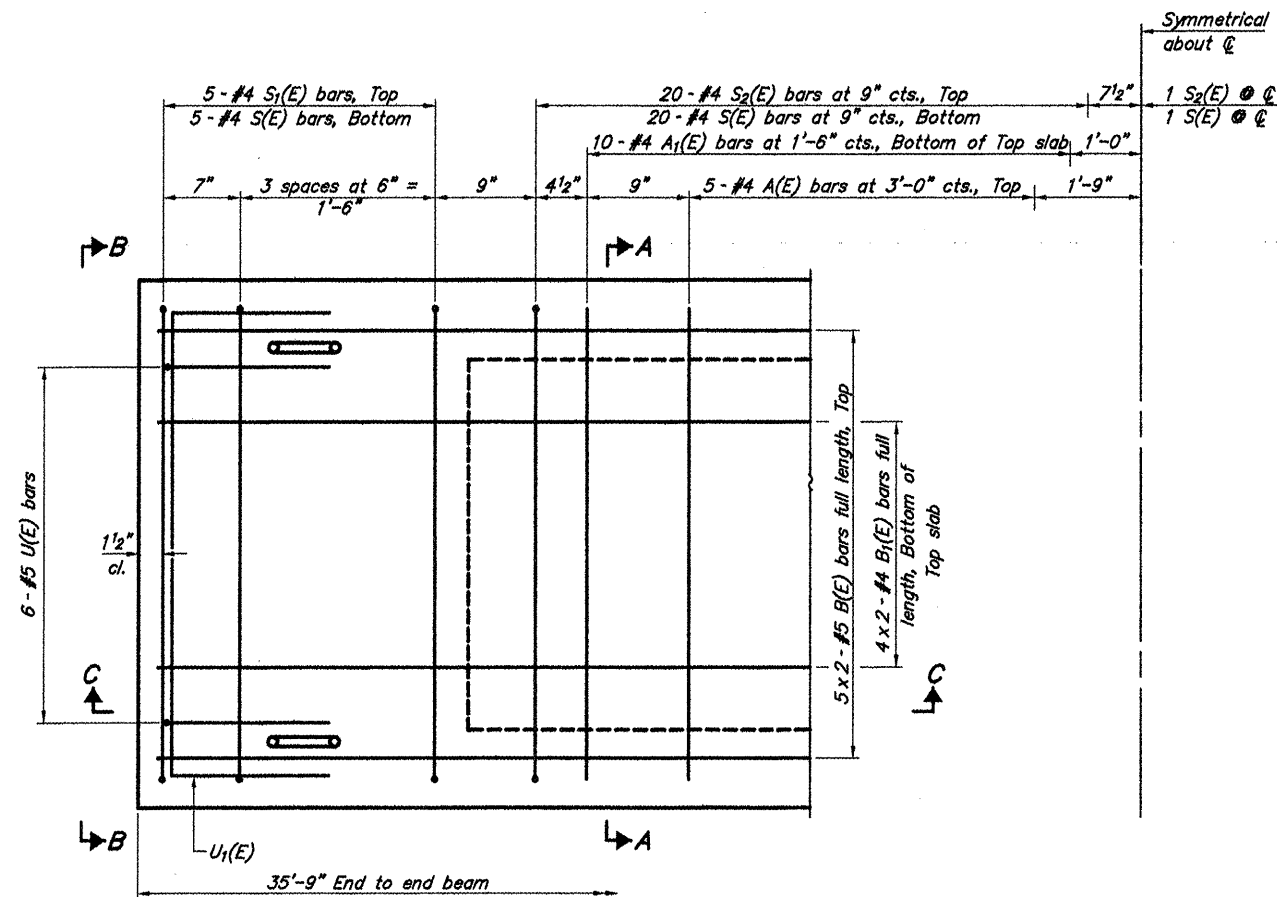
Omit key on exterior face of outside beams



**SECTION A-A**  
(Showing dimensions)



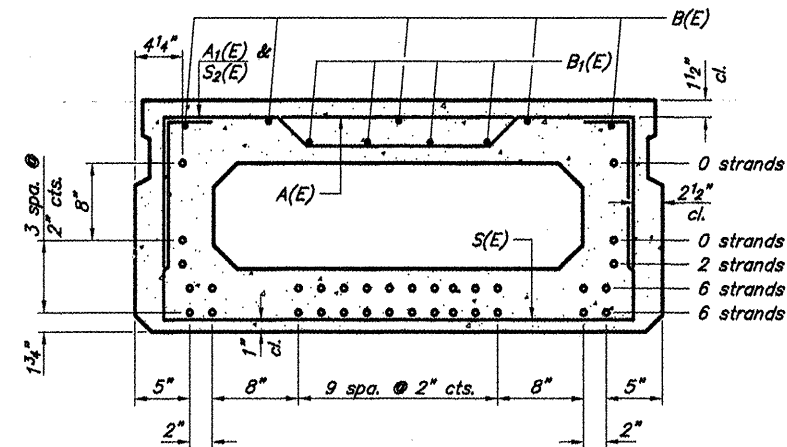
**VIEW B-B**



**PLAN VIEW**

Note: Spacing of S(E) and S2(E) bars may be adjusted up to 4" in the immediate area of the transverse tie diaphragms to miss the block outs for the transverse ties.

Symmetrical about centerline



**SECTION A-A**  
(Showing reinforcement and permissible strand locations)

Note: Place the number of strands specified in each row symmetrically about the centerline of beam in the permissible strand locations shown.

**BAR LIST**  
**ONE BEAM ONLY**  
(For information only)

Bar	No.	Size	Length	Shape
A(E)	10	#4	3'-7"	—
A1(E)	20	#4	3'-10"	—
B(E)	10	#5	18'-10"	—
B1(E)	8	#4	18'-7"	—
S(E)	51	#4	7'-5"	□
S1(E)	10	#4	5'-11"	□
S2(E)	41	#4	6'-2"	□
U(E)	12	#5	4'-0"	□
U1(E)	4	#4	6'-0"	□

Bar Laps #4 bars = 1'-8"  
#5 bars = 2'-2"

21" X 48" PPC DECK BEAM - SPAN 1  
TOWNSHIP ROUTE 93 (SEILBECK ROAD)  
IC RAILROAD  
SECTION 00-01199-00-BR  
MASSAC COUNTY  
STRUCTURE NO. 064-3141