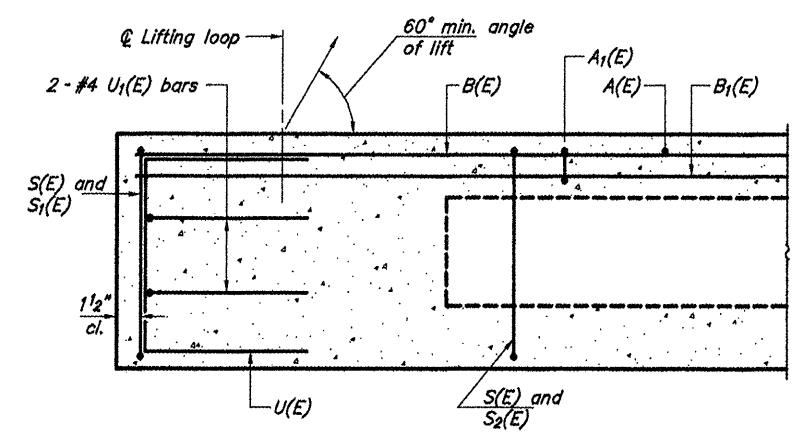
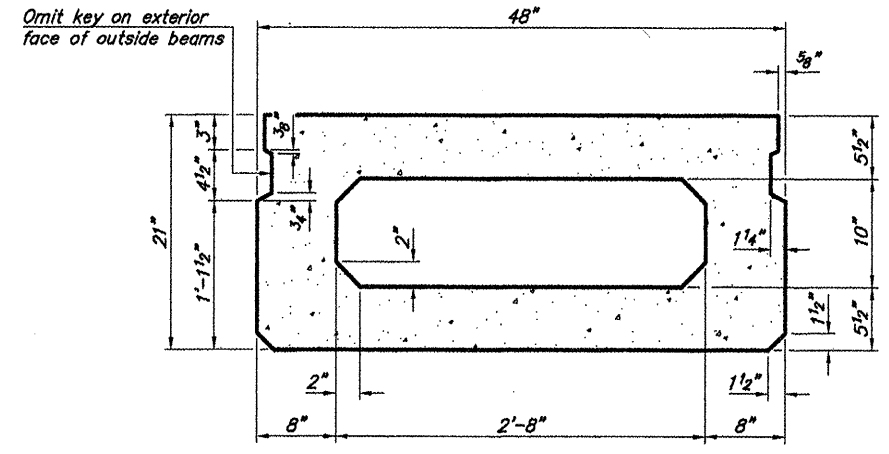


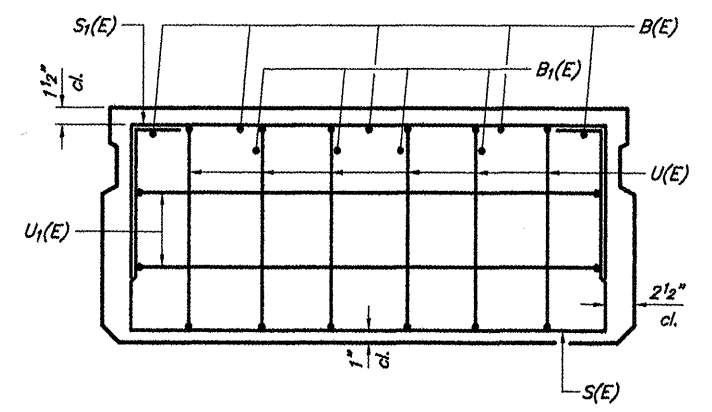
ROUTE	SECTION	COUNTY	TOTAL SHEETS	SHEET NO
TR 93	00-01199-00-BR	MASSAC	18	7
PROJECT NO. BROS-127(18)			CONTRACT NO. 99438	



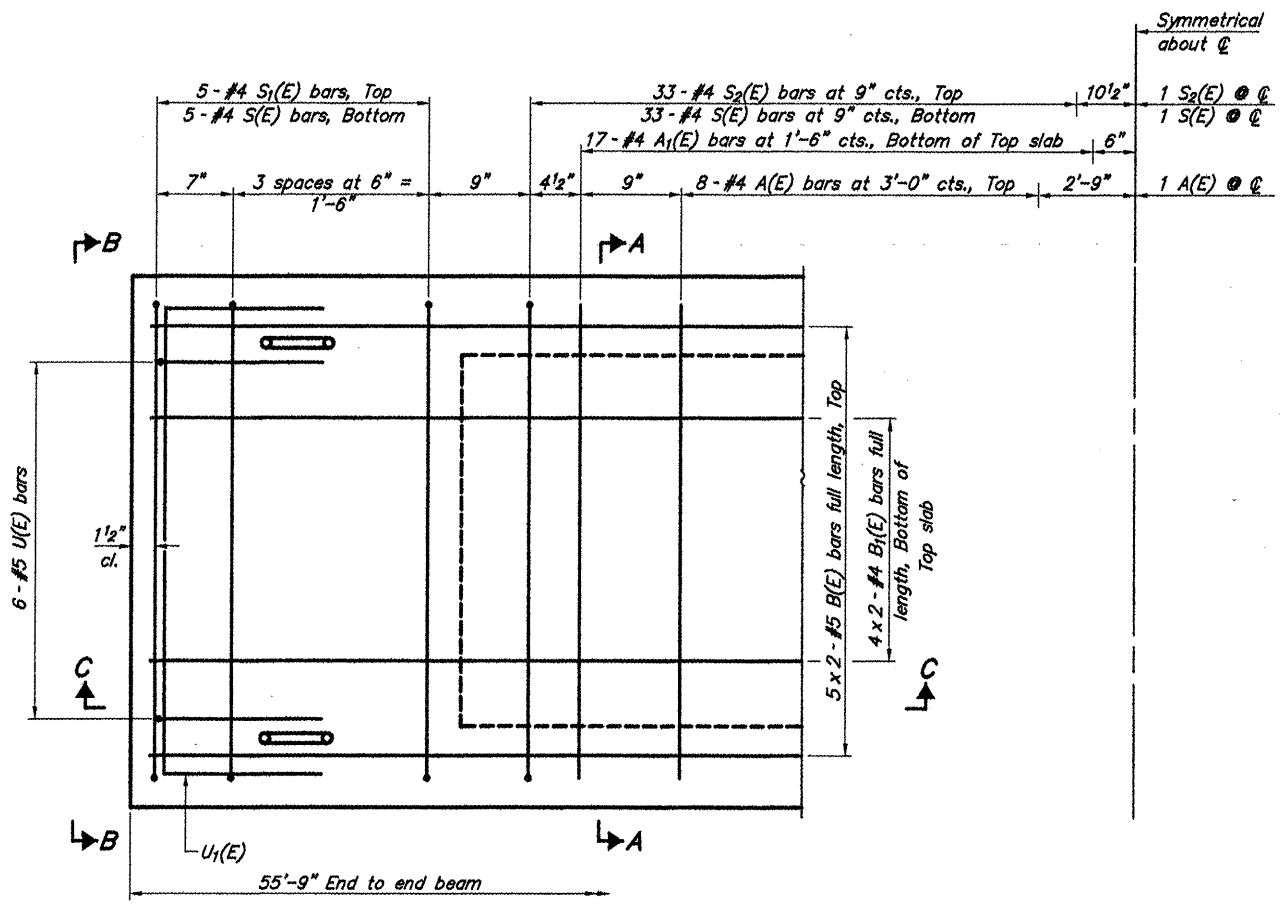
**SECTION C-C**



**SECTION A-A**  
(Showing dimensions)

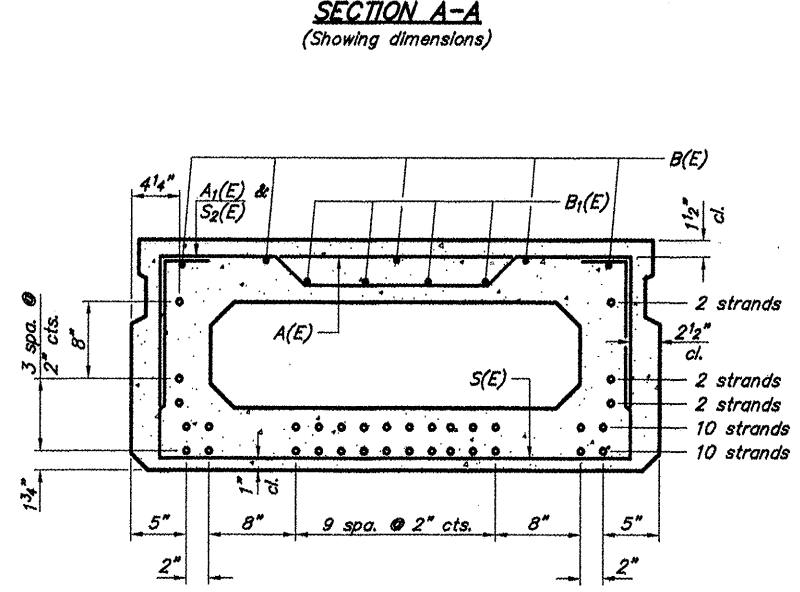


**VIEW B-B**



**PLAN VIEW**

Note: Spacing of S(E) and S2(E) bars may be adjusted up to 4\"/>



**SECTION A-A**

(Showing reinforcement and permissible strand locations)

Note: Place the number of strands specified in each row symmetrically about the centerline of beam in the permissible strand locations shown.

**BAR LIST**  
**ONE BEAM ONLY**  
(For information only)

Bar	No.	Size	Length	Shape
A(E)	17	#4	3'-7"	—
A1(E)	34	#4	3'-10"	—
B(E)	10	#5	28'-10"	—
B1(E)	8	#4	28'-7"	—
S(E)	77	#4	7'-5"	□
S1(E)	10	#4	5'-11"	□
S2(E)	67	#4	6'-2"	□
U(E)	12	#5	4'-0"	□
U1(E)	4	#4	6'-0"	□

Bar Laps #4 bars = 1'-8"  
#5 bars = 2'-2"

**21" X 48" PPC DECK BEAM - SPAN 2**  
**TOWNSHIP ROUTE 93 (SEILBECK ROAD)**  
**IC RAILROAD**  
**SECTION 00-01199-00-BR**  
**MASSAC COUNTY**  
**STRUCTURE NO. 064-3141**