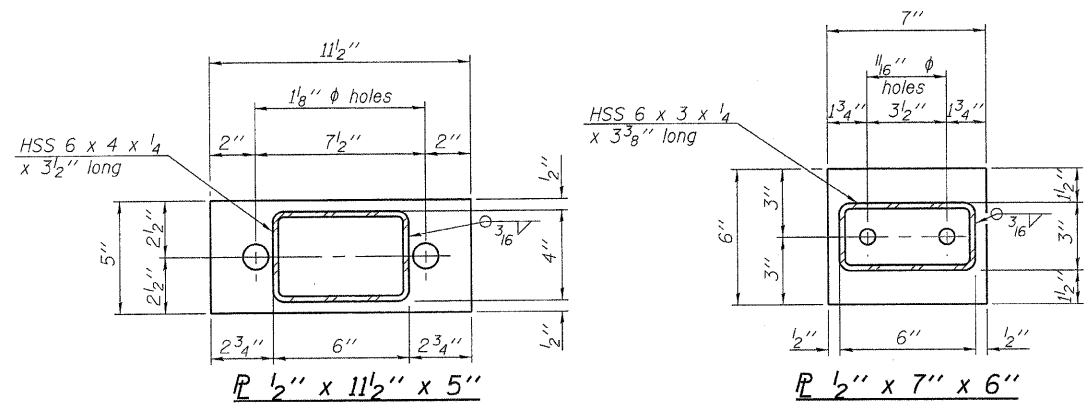


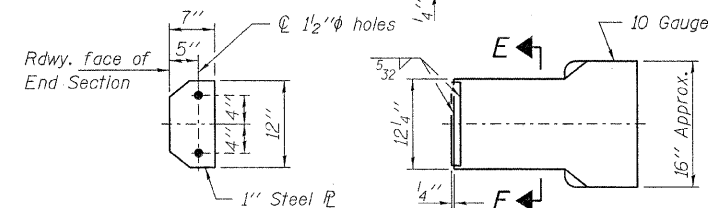
**VIEW A-A
ROUND HEAD BOLT**



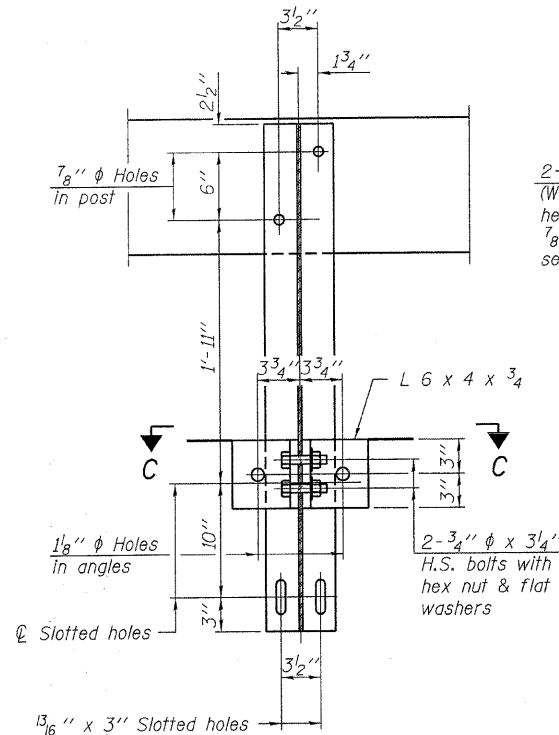
SECTION B-B

SECTION AT RAILING POST

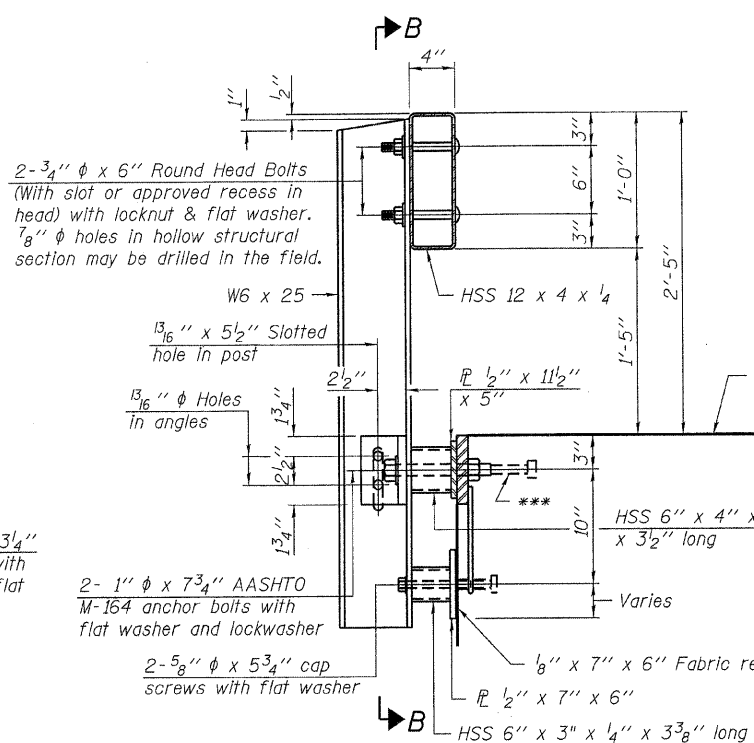
Note: Cost of curled end sections shall be included with the Steel Railing. (4 Required)



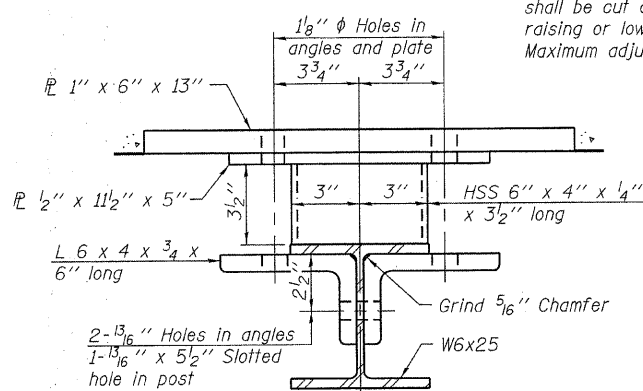
**SECTION E-E
CURLED END SECTION DETAILS**



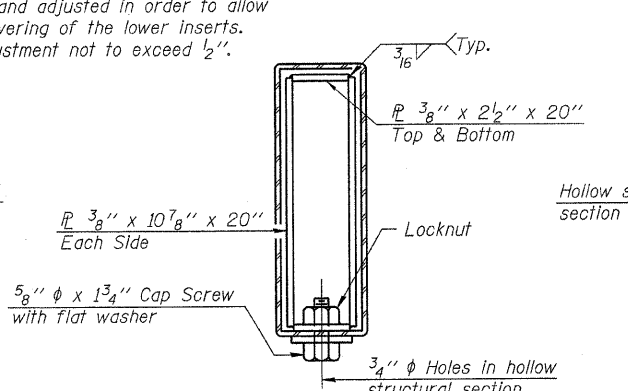
SECTION C-C



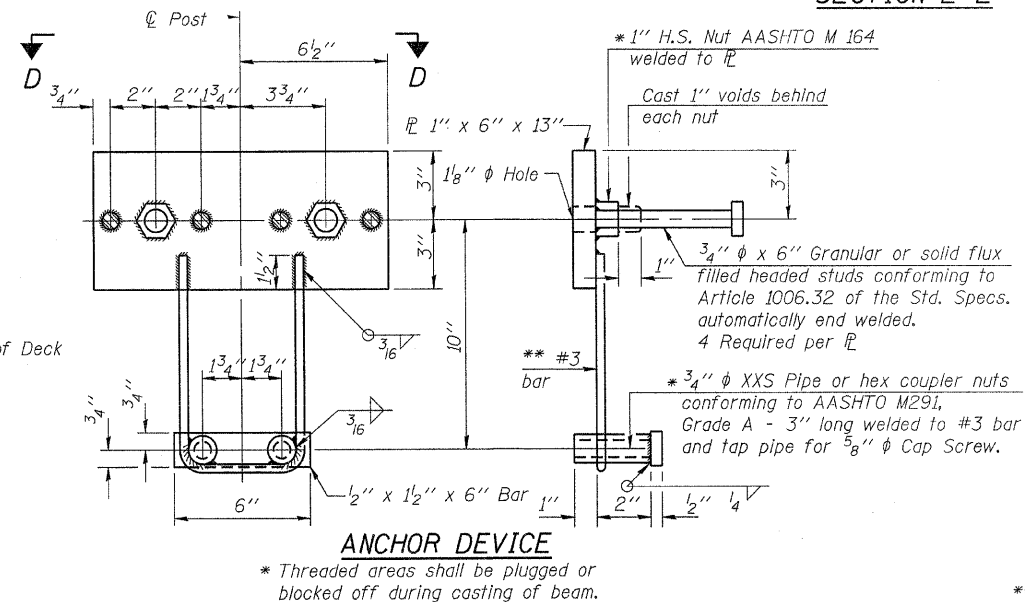
*** Whenever the lower insert assemblies interfere with strand locations, the #3 bars shall be cut and adjusted in order to allow raising or lowering of the lower inserts. Maximum adjustment not to exceed 1/2\"/>



SECTION C-C

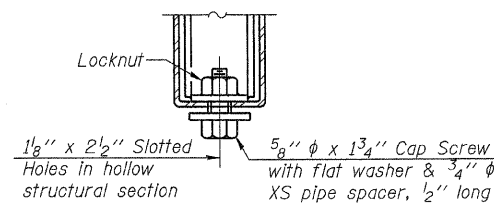


SECTIONS AT RAIL SPLICE

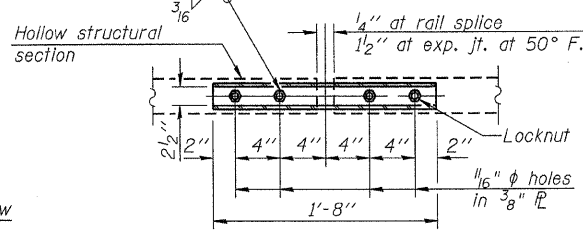


ANCHOR DEVICE

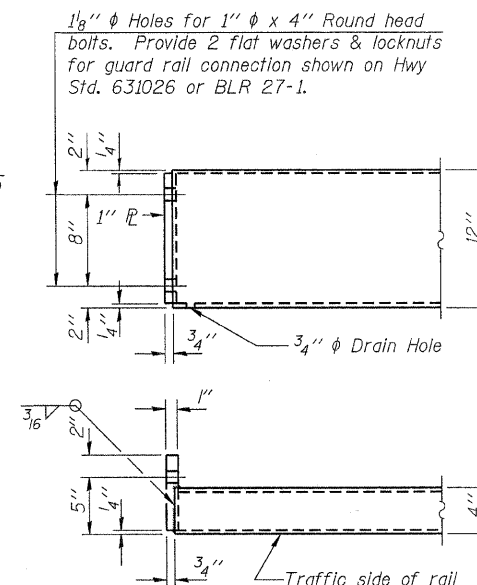
Notes:
All field drilled holes shall be coated with an approved zinc rich paint before erection.
For multi-span bridges, sufficient 1/4\"/>



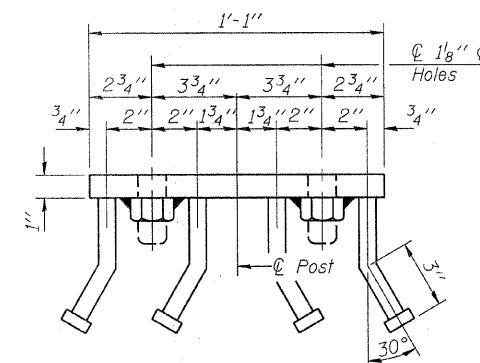
**RAIL SPLICE CONNECTION
AT EXPANSION JT.**



**PLAN-BOTT. SPLICE R
TYPICAL**



END OF RAIL DETAILS



VIEW D-D

BILL OF MATERIAL

Item	Unit	Quantity
Steel Railing, Type S-1	Foot	109

R-23A

7-1-10

(10'-9" Maximum Post Spacing)

FILE NAME = 090268-sht-bridge.dgn	USER NAME =	DESIGNED - A.S.L.	REVISED -
HAMPTON, LENZINI AND RENWICK, INC. 3085 STEVENSON DRIVE, SUITE 201 SPRINGFIELD, ILLINOIS 62703	PLOT SCALE =	CHECKED - S.W.M.	REVISED -
ILLINOIS PROFESSIONAL DESIGN FIRM LS / PE / SE CORP. 184.000950	PLOT DATE = 1/30/2012	DRAWN - D.A.B.	REVISED -
		CHECKED - S.W.M.	REVISED -

**STATE OF ILLINOIS
HAMILTON COUNTY HIGHWAY DEPARTMENT**

**STEEL RAILING, TYPE S-1
STRUCTURE NO. 033-3311**

SHEET NO. 5 OF 8 SHEETS

T.R.	SECTION	COUNTY	TOTAL SHEETS	SHEET NO.
107	09-09115-00-BR	HAMILTON	12	9
SOUTH CROUCH ROAD DISTRICT			CONTRACT NO. 99465	
ILLINOIS FED. AID PROJECT				