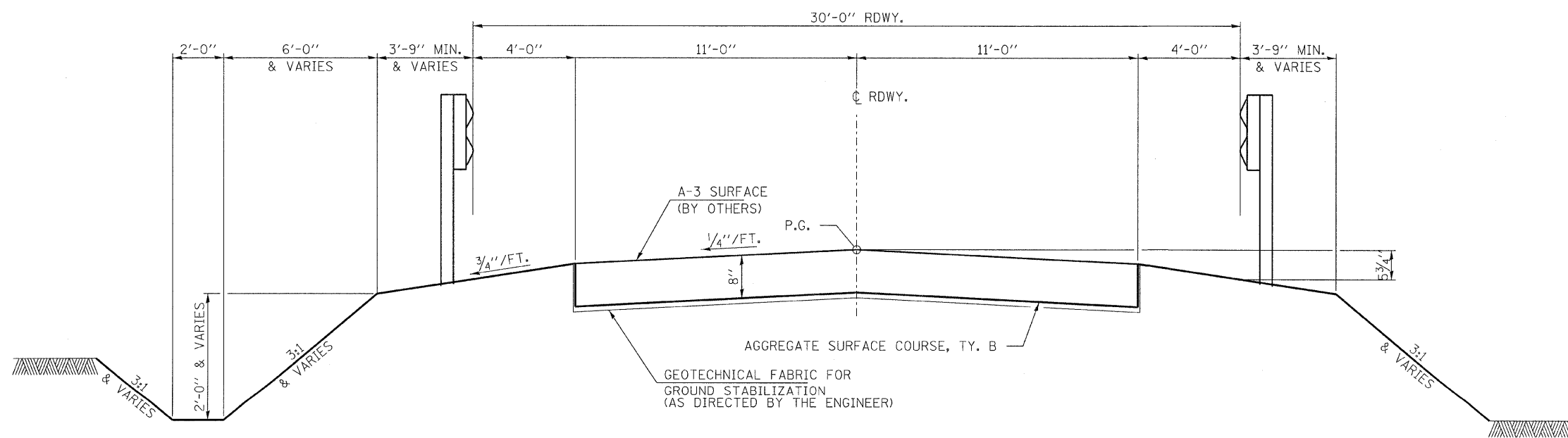
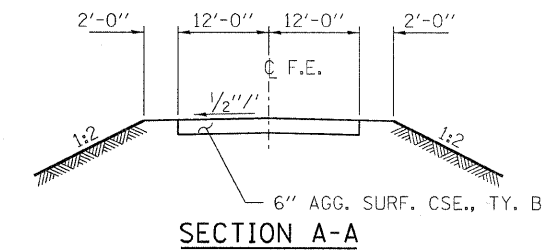
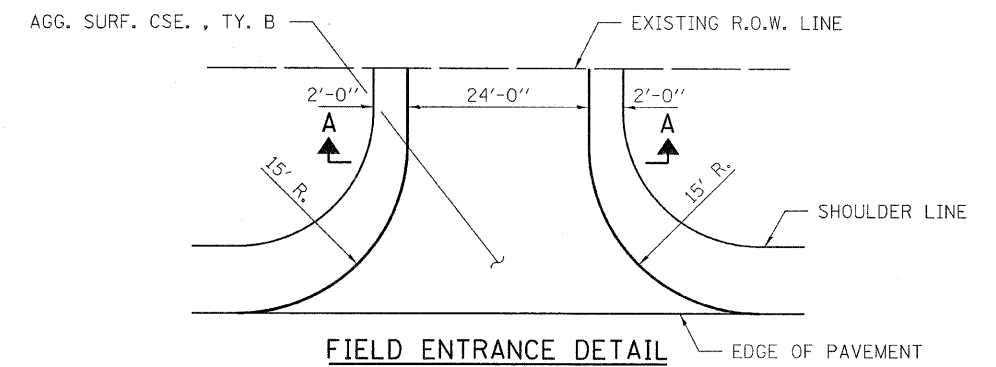


EXISTING TYPICAL CROSS SECTION
STA. 6+50 TO 15+00



SUGGESTED CUT SECTION
CONSTRUCT AS SHOWN IN
STATION CROSS SECTIONS

PROPOSED TYPICAL CROSS SECTION
STA. 7+50 TO 12+50

SUGGESTED FILL SECTION
CONSTRUCT AS SHOWN IN
STATION CROSS SECTIONS

TRANSITION FROM THE PROPOSED ROADWAY TO THE EXISTING ROADWAY
IS TO BE CONSTRUCTED FROM STA. 7+00 TO 7+50 AND FROM
STA. 12+50 TO 13+00 SEE SHEET 17 FOR TRANSITION AT BRIDGE.

FILE NAME = 100238-ah-typesections.dgn	USER NAME =	DESIGNED - J.W.F.	REVISED -	STATE OF ILLINOIS JEFFERSON COUNTY HIGHWAY DEPARTMENT	TYPICAL CROSS SECTIONS AND ENTRANCE DETAILS SPRING GARDEN LANE			T.R.	SECTION	COUNTY	TOTAL SHEETS	SHEET NO.
HAMPTON, LENZINI AND RENWICK, INC. 2088 STEVENSON DRIVE, SUITE 201 SPRINGFIELD, ILLINOIS 62761	PLOT SCALE =	DRAWN - D.T.M.	REVISED -					364	10-04106-00-BR	JEFFERSON	27	4
ILLINOIS PROFESSIONAL DESIGN FIRM L3/P/E/SE CORP. 184.000899	PLOT DATE = 3/1/2012	CHECKED - S.W.M.	REVISED -		DODDS ROAD DISTRICT			CONTRACT NO. 99472				
		DATE - 02/29/12	REVISED -		SCALE:	SHEET NO.	OF SHEETS	STA.	TO STA.	ILLINOIS FED. AID PROJECT BR05-00810671		