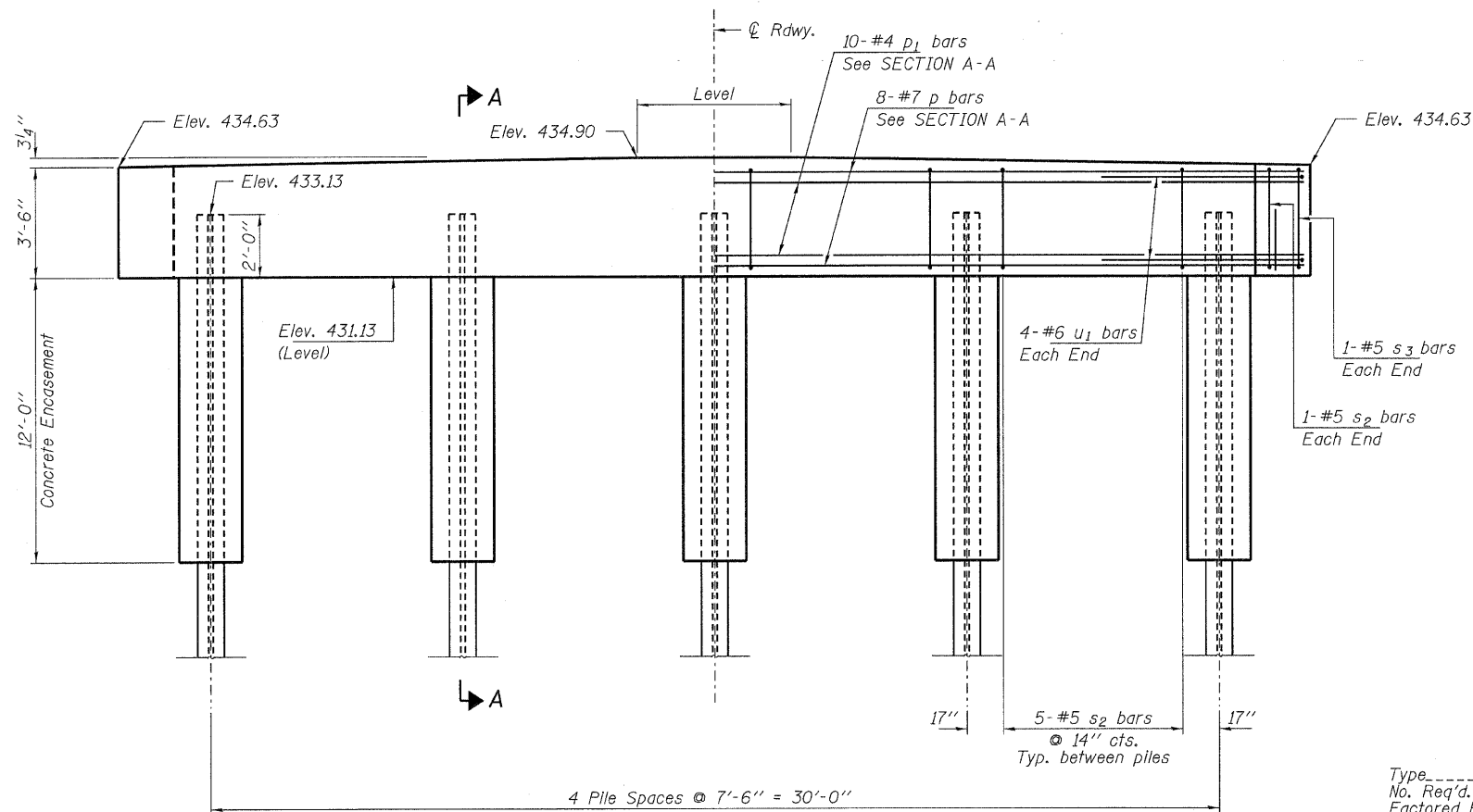
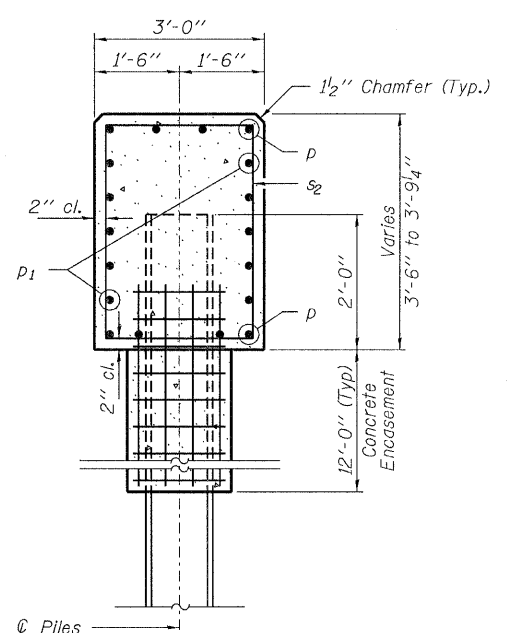


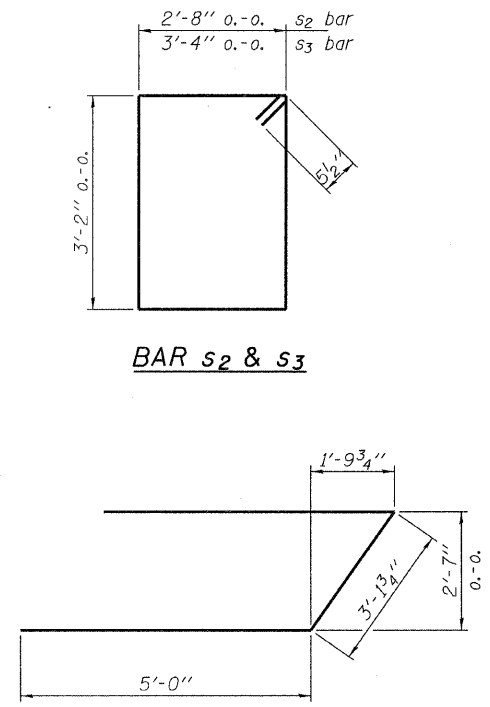
PLAN



ELEVATION



SECTION A-A



BAR s2 & s3

BAR u1

PILE DATA

Type.....Steel HP10x42  
 No. Req'd. (2 Piers).....10  
 Factored Resistance Available (Rf).....184 Kips/Pile  
 Nominal Required Bearing (Rn).....335 Kips/Pile  
 Est. Length.....40 Ft/Pile

BILL OF MATERIAL - 2 PIERS

BAR	NO.	SIZE	LENGTH	SHAPE
p	16	#7	35'-9"	—
p1	20	#4	35'-9"	—
s2	44	#5	12'-7"	□
s3	4	#5	13'-11"	□
u1	16	#6	13'-2"	—
Concrete Structures			Cu. Yd.	29.2
Concrete Encasement			Cu. Yd.	13.6
Reinforcement Bars			Pound	2,600
Steel Piles HP10x42			Foot	400

FILE NAME = 180238-shr-bridge.dgn	USER NAME =	DESIGNED - J.W.F.	REVISED -
HAMPTON, LENZINI AND RENWICK, INC. 2085 STEVENSON DRIVE, SUITE 201 SPRINGFIELD, ILLINOIS 62705	PLOT SCALE =	CHECKED - S.W.M.	REVISED -
ILLINOIS PROFESSIONAL DESIGN FIRM LS / PE / SE CORP. 184-002859	PLOT DATE = 3/1/2012	DRAWN - D.T.M.	REVISED -
		CHECKED - S.W.M.	REVISED -

STATE OF ILLINOIS  
 JEFFERSON COUNTY HIGHWAY DEPARTMENT

PIERS  
 STRUCTURE NO. 041-3750  
 SHEET NO. 9 OF 11 SHEETS

T.R.	SECTION	COUNTY	TOTAL SHEETS	SHEET NO.
364	10-04106-00-BR	JEFFERSON	27	25
DODDS ROAD DISTRICT			CONTRACT NO. 99472	
ILLINOIS FED. AID PROJECT BR03-00810671				